



Chipsmall Limited consists of a professional team with an average of over 10 year of expertise in the distribution of electronic components. Based in Hongkong, we have already established firm and mutual-benefit business relationships with customers from,Europe,America and south Asia,supplying obsolete and hard-to-find components to meet their specific needs.

With the principle of “Quality Parts,Customers Priority,Honest Operation,and Considerate Service”,our business mainly focus on the distribution of electronic components. Line cards we deal with include Microchip,ALPS,ROHM,Xilinx,Pulse,ON,Everlight and Freescale. Main products comprise IC,Modules,Potentiometer,IC Socket,Relay,Connector.Our parts cover such applications as commercial,industrial, and automotives areas.

We are looking forward to setting up business relationship with you and hope to provide you with the best service and solution. Let us make a better world for our industry!



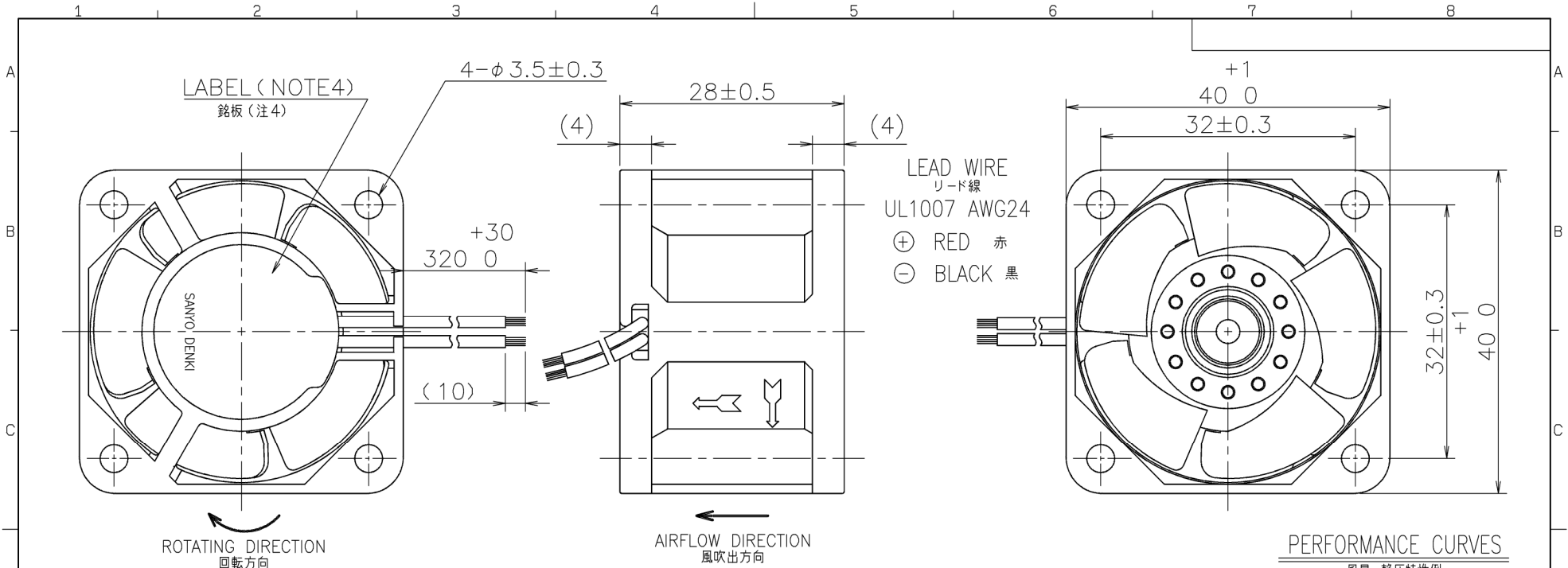
## Contact us

Tel: +86-755-8981 8866 Fax: +86-755-8427 6832

Email & Skype: info@chipsmall.com Web: www.chipsmall.com

Address: A1208, Overseas Decoration Building, #122 Zhenhua RD., Futian, Shenzhen, China



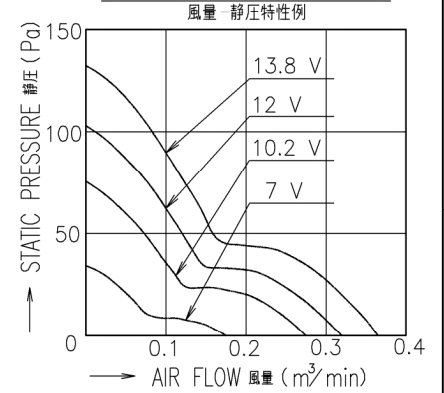


RATED VOLTAGE 定格電圧	12 V DC
OPERATING VOLTAGE 使用電圧範囲	7 V DC ~ 13.8 V DC
RATED CURRENT 定格電流	0.24 A MAX. AT 12 V DC 以下 (DC12 Vにて)
RATED SPEED 定格回転速度	8700 min <sup>-1</sup> AT 12 V DC (NOMINAL) (AT 25 °C) (DC12 Vにて、25 °Cの時) (中心値)
INSULATION RESISTANCE 絶縁抵抗	10 MΩ MIN. AT 500 V DC (NOTE2) DC500 Vメガーにて10 MΩ以上 (注2)
DIELECTRIC STRENGTH 絶縁耐圧	1 MINUTE AT 500 V AC, 50/60 Hz (NOTE2) AC50/60 Hz, 500 Vにて1分間耐えること (注2)
OPERATING TEMP. 使用温度範囲	-20 °C ~ +70 °C
SOUND PRESSURE LEVEL 音圧レベル	37 dB(A) (NOMINAL) (NOTE1) (中心値) (注1)
MASS 質量	APPROX. 52 g 約
MATERIAL 材質	FRAME, IMPELLER : PLASTICS フレーム・羽根 : 樹脂成形品
BEARING SYSTEM 軸受	2 BALL BEARINGS ボールベアリング

NOTE:  
注

- MEASURED AT 1 m DISTANCE FROM THE AIR INLET.  
ファン吸込側より1 mにて測定する。
- MEASURED BETWEEN THE LEAD WIRES AND THE FRAME.  
リード線導体部とフレームとの間。
- MOTOR IS PROTECTED FROM DAMAGE OF LOCKED ROTOR CONDITION AT THE OPERATING VOLTAGE.  
ファン拘束時焼損の恐れはない。
- PRINT PRODUCT NAME, MODEL No., MANUFACTURER, AND MANUFACTURED DATE ETC.  
品名, 型名, 製造会社名 及び 製造年月日等を表示する。

PERFORMANCE CURVES



L	E0138032	14-02-06		承認 APPROVED BY M. WATANABE 14-03-07	12 V H SPEED Hスピード	
K	E0056174	03-07-18		審査 CHECKED BY H. OHSUDA	名称 TITLE	
J	E0047898	02-05-28		単位 UNIT mm	14-02-07 署名 SIGNED BY MURATA 14-02-06 図番 DWG NO.	San Ace 40(9P) サンエース40 9Pタイプ
H	E0045657	01-12-18		尺度 SCALE		
A	新規作成 児玉	86-12-24				
記号 REV.	記事 DESCRIPTION	日付 DATE				
<b>山洋電気株式会社</b> SANYO DENKI CO., LTD.						
					109P0412H302 L	
					REV.	