



Chipsmall Limited consists of a professional team with an average of over 10 year of expertise in the distribution of electronic components. Based in Hongkong, we have already established firm and mutual-benefit business relationships with customers from,Europe,America and south Asia,supplying obsolete and hard-to-find components to meet their specific needs.

With the principle of “Quality Parts,Customers Priority,Honest Operation,and Considerate Service”,our business mainly focus on the distribution of electronic components. Line cards we deal with include Microchip,ALPS,ROHM,Xilinx,Pulse,ON,Everlight and Freescale. Main products comprise IC,Modules,Potentiometer,IC Socket,Relay,Connector.Our parts cover such applications as commercial,industrial, and automotives areas.

We are looking forward to setting up business relationship with you and hope to provide you with the best service and solution. Let us make a better world for our industry!



## Contact us

Tel: +86-755-8981 8866 Fax: +86-755-8427 6832

Email & Skype: info@chipsmall.com Web: www.chipsmall.com

Address: A1208, Overseas Decoration Building, #122 Zhenhua RD., Futian, Shenzhen, China



**80** mm sq.

# San Ace 80



## General Specifications

- Material ..... Frame: Plastics (Flammability: UL94V-0),  
Impeller: Plastics (Flammability: UL94V-1)
- Expected Life ..... Refer to specifications (L10:Survival rate:90% at 60°C ,  
rated voltage, and continuously run in a free air state)
- Lead Wire ..... ⊕red ⊖black or blue (Sensor) yellow
- Storage Temperature ..... -30°C to +70°C (Non-condensing)

**80×80×15** mm (Mass : 68g) **9P** type

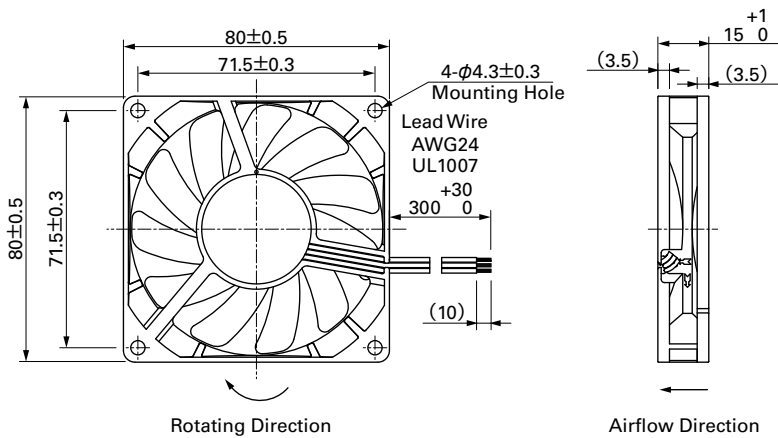
## Specifications

The following nos. **have pulse sensors and ribs.**

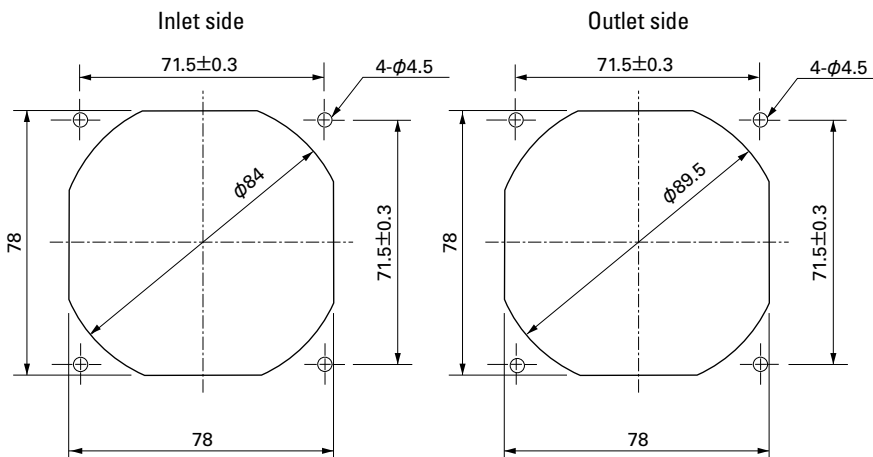
Model No.	Rated Voltage [V]	Operating Voltage Range [V]	Rated Current [A]	Rated Input [W]	Rated Speed [min <sup>-1</sup> ]	Max. Airflow [m <sup>3</sup> /min] [CFM]	Max. Static Pressure [Pa] [inchH <sub>2</sub> O]	SPL [dB(A)]	Operating Temperature [°C]	Expected Life [h]	
109P0812H701	12	7 to 13.8	0.2	2.4	3,100	0.91	32.1	29.4	0.118	31	40,000/60°C
109P0812M701			0.09	1.08	2,000	0.57	20.1	12.6	0.051	21	60,000/60°C
109P0824H701	24	14 to 27.6	0.1	2.4	3,100	0.91	32.1	29.4	0.118	31	40,000/60°C
109P0824M701			0.05	1.2	2,000	0.57	20.1	12.6	0.051	21	60,000/60°C

Other sensor specifications are available as options. Please refer to the index (pp. 497 to 498).

## Dimensions (unit: mm)



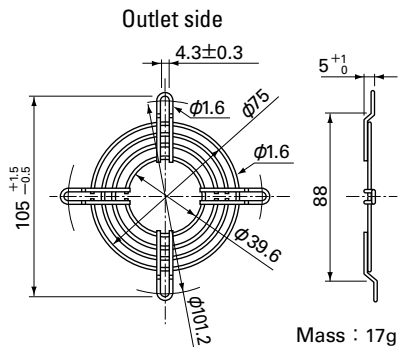
## Reference Dimensions of Mounting Holes and Vent Opening (unit: mm)



Options (unit: mm)

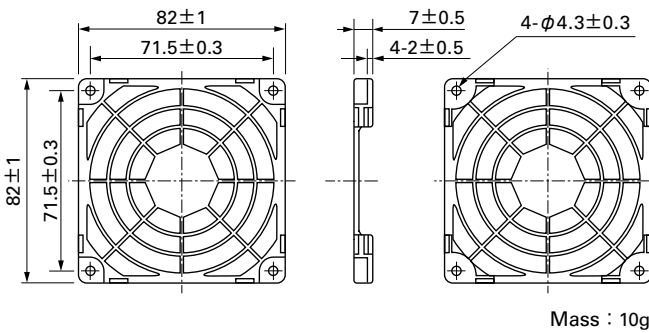
**Finger Guards**

Model : 109-049C Color : Nickel-chrome plating (silver)



**Resin Finger Guards**

Model : 109-1002G



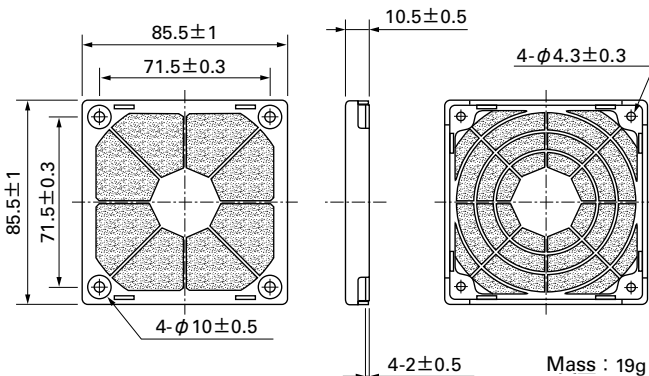
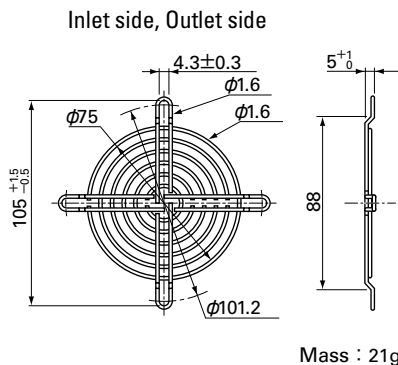
Model : 109-049E  
: 109-049H

Surface treatment : Nickel-chrome plating (silver)  
: Cation electropainting (black)

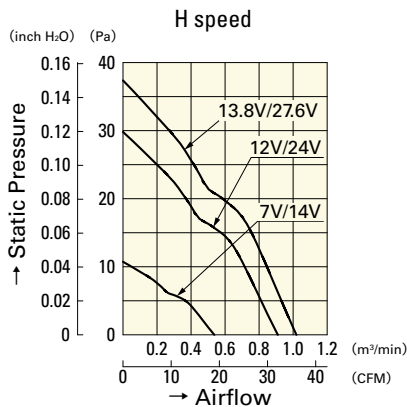
Color

**Resin Filter Kits**

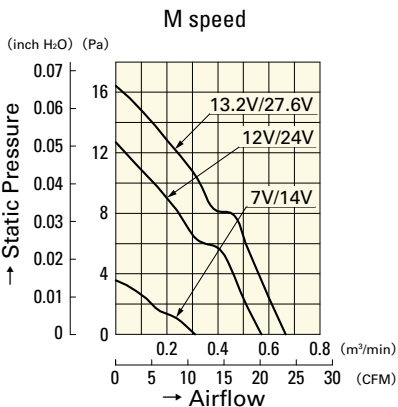
Model : 109-1002F13 (13PPI), 109-1002F20 (20PPI)  
: 109-1002F30 (30PPI), 109-1002F40 (40PPI)



**Airflow - Static Pressure Characteristics**



**109P0812H701**  
**109P0824H701**



**109P0812M701**  
**109P0824M701**