



Chipsmall Limited consists of a professional team with an average of over 10 year of expertise in the distribution of electronic components. Based in Hongkong, we have already established firm and mutual-benefit business relationships with customers from,Europe,America and south Asia,supplying obsolete and hard-to-find components to meet their specific needs.

With the principle of “Quality Parts,Customers Priority,Honest Operation,and Considerate Service”,our business mainly focus on the distribution of electronic components. Line cards we deal with include Microchip,ALPS,ROHM,Xilinx,Pulse,ON,Everlight and Freescale. Main products comprise IC,Modules,Potentiometer,IC Socket,Relay,Connector.Our parts cover such applications as commercial,industrial, and automotives areas.

We are looking forward to setting up business relationship with you and hope to provide you with the best service and solution. Let us make a better world for our industry!



Contact us

Tel: +86-755-8981 8866 Fax: +86-755-8427 6832

Email & Skype: info@chipsmall.com Web: www.chipsmall.com

Address: A1208, Overseas Decoration Building, #122 Zhenhua RD., Futian, Shenzhen, China



92 mm sq.

San Ace 92

25mm thick (9GA type), 25mm thick (9S type)
 25mm thick (9P type), 25mm thick (San Cooler) (9A type)
 32mm thick (9G type), 38mm thick (9GA type)
 38mm thick (9HV type), 38mm thick (9GV type)
 38mm thick (9G type)



General Specifications

- Material: Frame: Plastics (Flammability: UL94V-0), Impeller: Plastics (Flammability: UL94V-1)
- Expected Life: Refer to specifications (L10:Survival rate:90% at 60°C, rated voltage, and continuously run in a free air state)
- Lead Wire: ⊕red ⊖black or blue (Sensor) yellow
- Storage Temperature: -30°C to +70°C (Non-condensing)

92×92×25mm (Mass : 150g) **9P** type

Specifications

The following nos. **have pulse sensors and ribs**. For ribless, append "1" to the model no.

Model No.	Rated Voltage [V]	Operating Voltage Range [V]	Rated Current [A]	Rated Input [W]	Rated Speed [min ⁻¹]	Max. Airflow [m ³ /min] [CFM]	Max. Static Pressure [Pa] [inchH ₂ O]	SPL [dB(A)]	Operating Temperature [°C]	Expected Life [h]
109P0912J401	12	6 to 13.8	0.56	6.72	4,300	2.03 71.6	92.2 0.37	47	-20 to +60	40,000
109P0912W401		6 to 16	0.21	2.52	2,850	1.45 51.2	45 0.181	33		
109P0912H401		10.2 to 13.8	0.21	2.52	2,850	1.45 51.2	45 0.181	33		
109P0912F401			0.14	1.68	2,450	1.24 43.8	32.3 0.130	30		
109P0912M401			0.1	1.2	2,100	1.04 36.7	23.5 0.094	27		
109P0912L401			0.07	0.84	1,700	0.8 28.3	16.6 0.067	23		
109P0924W401	24	12 to 30	0.12	2.88	2,850	1.45 51.2	45 0.181	33	-20 to +70	
109P0924H401		20.4 to 27.6	0.12	2.88	2,850	1.45 51.2	45 0.181	33		
109P0924F401			0.08	1.92	2,450	1.24 43.8	32.3 0.130	30		
109P0924M401			0.06	1.44	2,100	1.04 36.7	23.5 0.094	27		
109P0924L401			0.05	1.2	1,700	0.8 28.3	16.6 0.067	23		
109P0948H401		48	43 to 53	0.06	2.88	2,850	1.45 51.2	45 0.181		

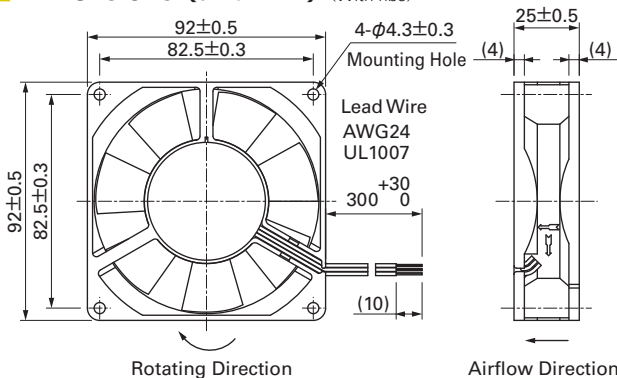
Some models can also be equipped without sensors as an option. Please refer to the index (pp. 417 to 437).

Set Models

- The set models listed below can be ordered as a single order.
- Set configuration items: Fan (without sensor), finger guard, screws (with flat washer and spring washer), hex nuts, operation manual

Model Number to Order	Fan Model	Sensor Specifications	Finger Guard Model	Mounting Screws
9U-109P0912H402	109P0912H402 (performs the same as the 109P0912H401)	Without sensor	109-099E	M4 screws (40 mm) x 4, Nuts x 4
9U-109P0924H402	109P0924H402 (performs the same as the 109P0924H401)			

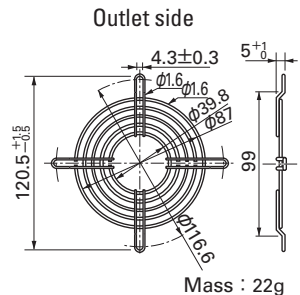
Dimensions (unit : mm) (With ribs)



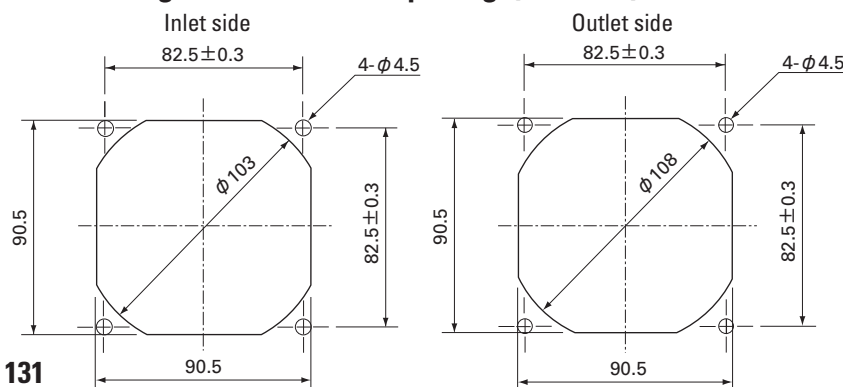
Options (unit : mm)

Finger Guards

Model : 109-099C Surface treatment : Nickel-chrome plating (silver) Color

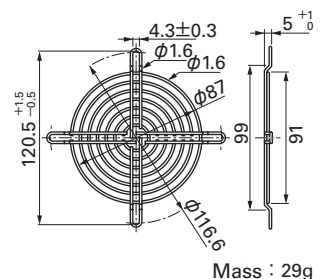


Reference Dimension of Mounting Holes and Vent Opening (unit : mm)



Model : 109-099E Surface treatment : Nickel-chrome plating (silver) Color : 109-099H : Cation electropainting (black)

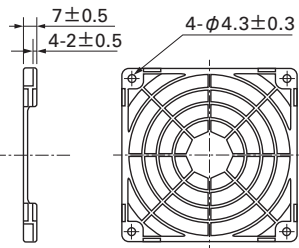
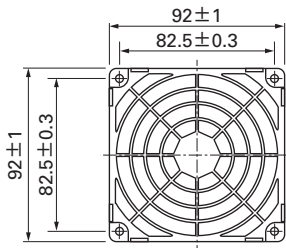
Inlet side, Outlet side



Options (unit : mm)

Resin Finger Guards

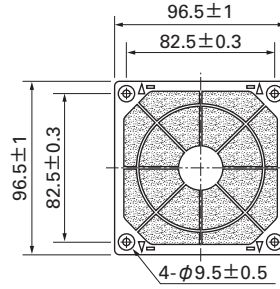
Model : 109-1001G



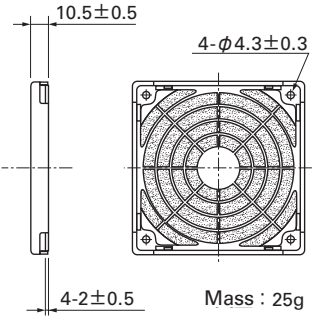
Mass : 12g

Resin Filter Kits

Model : 109-1001F13 (13PPI), 109-1001F20 (20PPI)
: 109-1001F30 (30PPI), 109-1001F40 (40PPI)

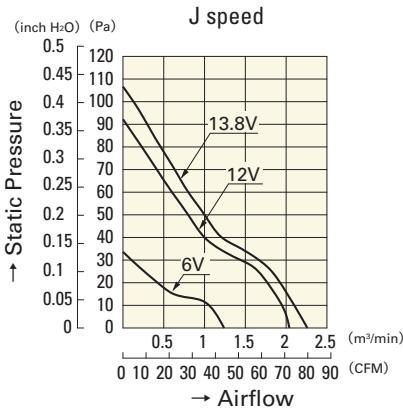


Mass : 12g

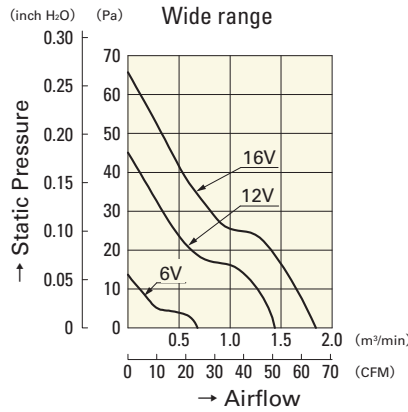


Mass : 25g

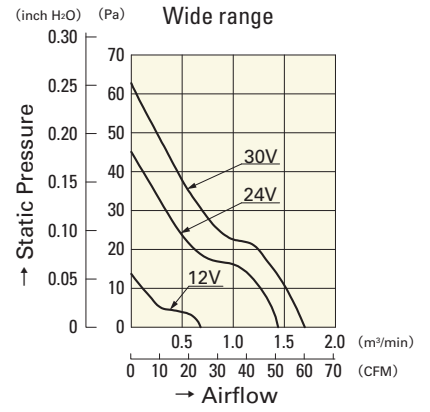
Airflow - Static Pressure Characteristics



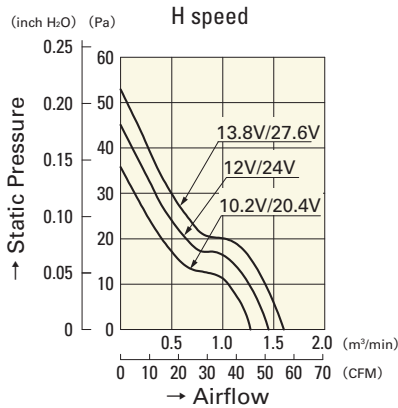
109P0912J401



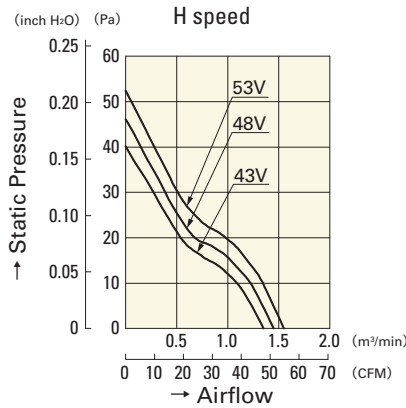
109P0912W401



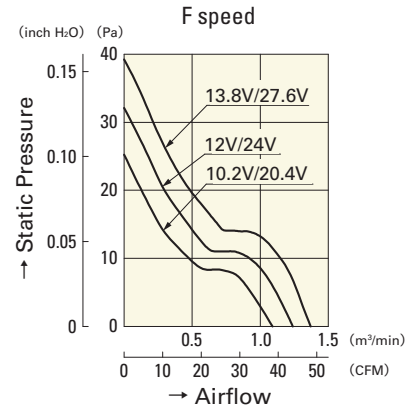
109P0924W401



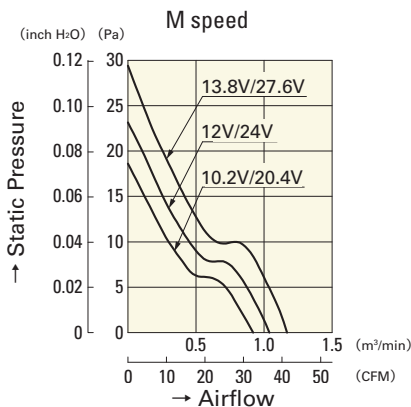
109P0912H401
109P0924H401



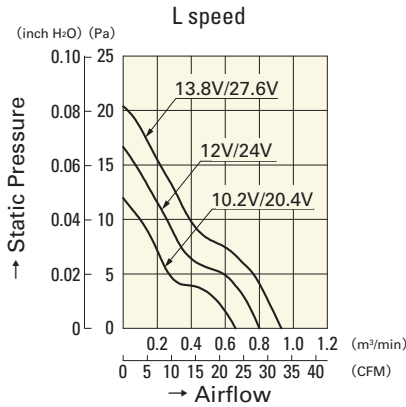
109P0948H401



109P0912F401
109P0924F401



109P0912M401
109P0924M401



109P0912L401
109P0924L401