



Chipsmall Limited consists of a professional team with an average of over 10 year of expertise in the distribution of electronic components. Based in Hongkong, we have already established firm and mutual-benefit business relationships with customers from,Europe,America and south Asia,supplying obsolete and hard-to-find components to meet their specific needs.

With the principle of “Quality Parts,Customers Priority,Honest Operation,and Considerate Service”,our business mainly focus on the distribution of electronic components. Line cards we deal with include Microchip,ALPS,ROHM,Xilinx,Pulse,ON,Everlight and Freescale. Main products comprise IC,Modules,Potentiometer,IC Socket,Relay,Connector.Our parts cover such applications as commercial,industrial, and automotives areas.

We are looking forward to setting up business relationship with you and hope to provide you with the best service and solution. Let us make a better world for our industry!



Contact us

Tel: +86-755-8981 8866 Fax: +86-755-8427 6832

Email & Skype: info@chipsmall.com Web: www.chipsmall.com

Address: A1208, Overseas Decoration Building, #122 Zhenhua RD., Futian, Shenzhen, China



80 mm sq.

San Ace 80



Model no. 109R0812E401 is not certified.

General Specifications

- Material Frame: Plastics (Flammability: UL94V-0),
Impeller: Plastics (Flammability: UL94V-1)
- Expected Life Refer to specifications (L10:Survival rate:90% at 60°C ,
rated voltage, and continuously run in a free air state)
- Lead Wire ⊕red ⊖black or blue (Sensor) yellow
- Storage Temperature -30°C to +70°C (Non-condensing)

80×80×25mm (Mass : 110g) **9R type**

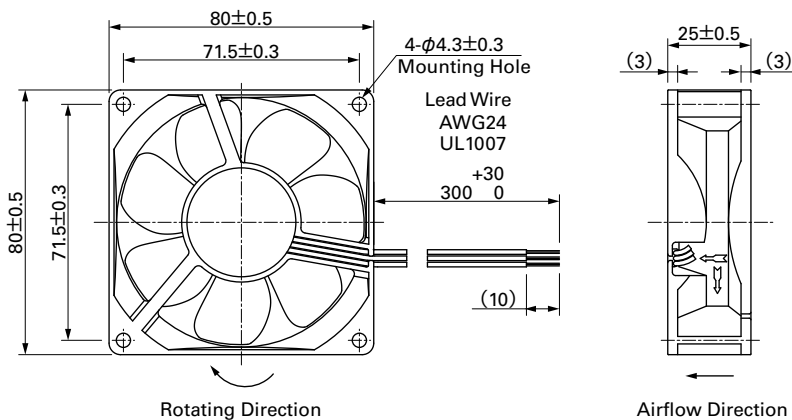
Specifications

The following nos. **have pulse sensors and ribs**. For ribless, append "1" to the model no.

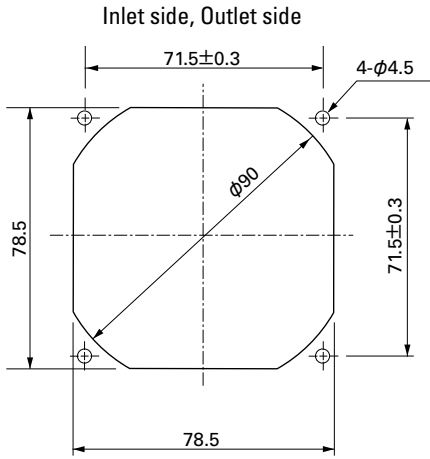
Model No.	Rated Voltage [V]	Operating Voltage Range [V]	Rated Current [A]	Rated Input [W]	Rated Speed [min ⁻¹]	Max. Airflow [m ³ /min] [CFM]	Max. Static Pressure [Pa] [inchH ₂ O]	SPL [dB(A)]	Operating Temperature [°C]	Expected Life [h]		
109R0805F401	5	4.5 to 5.5	0.25	1.25	2,600	0.92	32.5	28.4	0.114	26	-20 to +70	60,000/60°C
109R0805M401			0.17	0.85	2,350	0.83	29.3	22.5	0.090	23		
109R0812G401	12	10.8 to 13.2	0.37	4.44	4,500	1.50	53.0	80.4	0.323	40	-20 to +60	40,000/60°C
109R0812E401			0.24	2.88	3,700	1.31	46.3	57.8	0.232	35		
109R0812S401		6 to 13.8	0.18	2.16	3,400	1.20	42.4	48.0	0.193	34	-20 to +70	60,000/60°C
109R0812H401			0.13	1.56	2,900	1.03	36.4	35.3	0.142	29		
109R0812F401			0.11	1.32	2,600	0.92	32.5	28.4	0.114	26		
109R0812M401			0.09	1.08	2,350	0.83	29.3	22.5	0.090	23		
109R0812L401		7 to 13.8	0.06	0.72	1,850	0.65	23.0	14.7	0.059	20		
109R0824G401		24	20.4 to 26.4	0.20	4.80	4,500	1.50	53.0	80.4	0.323	40	-20 to +60
109R0824S401	0.10			2.40	3,400	1.20	42.4	48.0	0.193	34		
109R0824H401	12 to 27.6		0.07	1.68	2,900	1.03	36.4	35.3	0.142	29	-20 to +70	60,000/60°C
109R0824F401			0.06	1.44	2,600	0.92	32.5	28.4	0.114	26		
109R0824M401			0.05	1.20	2,350	0.83	29.3	22.5	0.090	23		
109R0824L401			0.04	0.96	1,850	0.65	23.0	14.7	0.059	20		
109R0848K401	48	40.8 to 55.2	0.10	4.80	4,600	1.56	55.1	88.4	0.355	41	-20 to +60	40,000/60°C
109R0848S401			0.06	2.88	3,400	1.20	42.4	48.0	0.193	34	-20 to +70	60,000/60°C

Other sensor specifications are available as options. Please refer to the index (p. 499).

Dimensions (unit: mm) (With ribs)



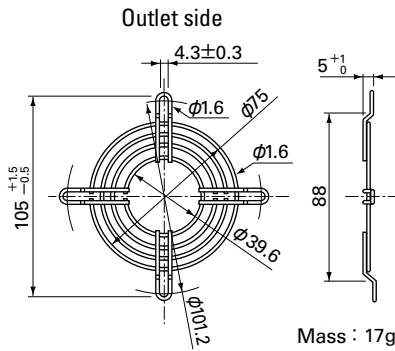
Reference Dimensions of Mounting Holes and Vent Opening (unit: mm)



Options (unit: mm)

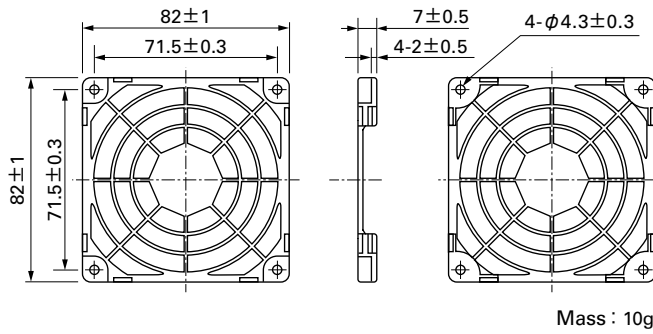
Finger Guards

Model : 109-049C Surface treatment : Nickel-chrome plating (silver) Color : Nickel-chrome plating (silver)



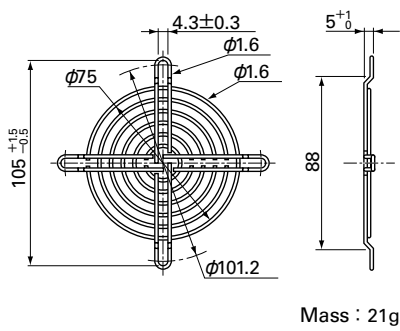
Resin Finger Guards

Model : 109-1002G



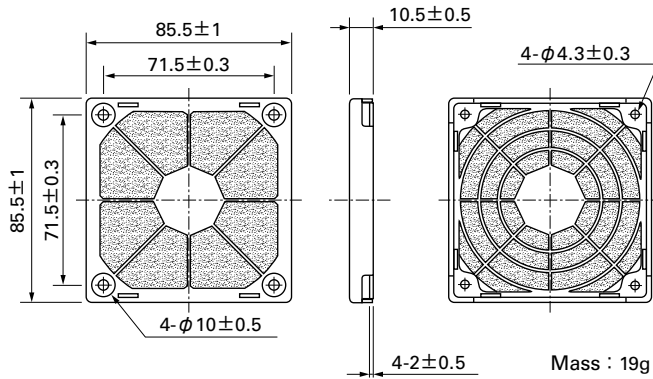
Model : 109-049E Surface treatment : Nickel-chrome plating (silver) Color : Nickel-chrome plating (silver)
 : 109-049H : Cation electropainting (black)

Inlet side, Outlet side



Resin Filter Kits

Model : 109-1002F13 (13PPI), 109-1002F20 (20PPI)
 : 109-1002F30 (30PPI), 109-1002F40 (40PPI)

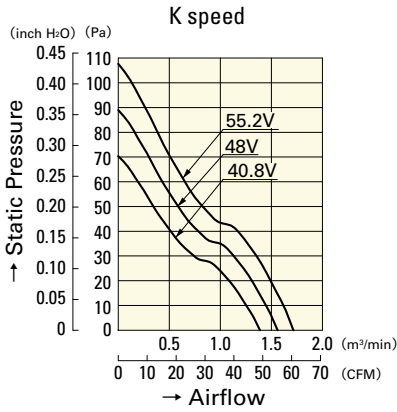


80 mm sq.

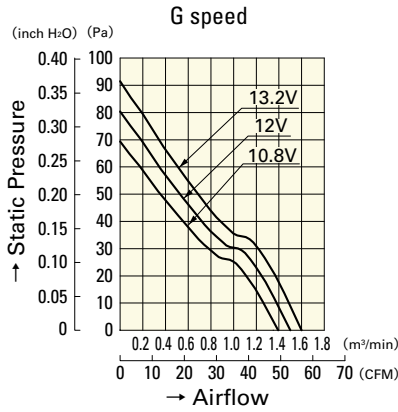
San Ace 80

80×80×25mm [Mass : 110g]

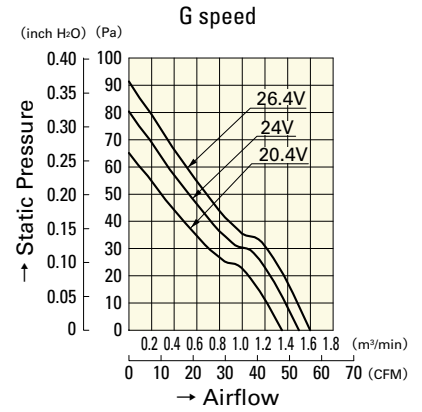
Airflow - Static Pressure Characteristics



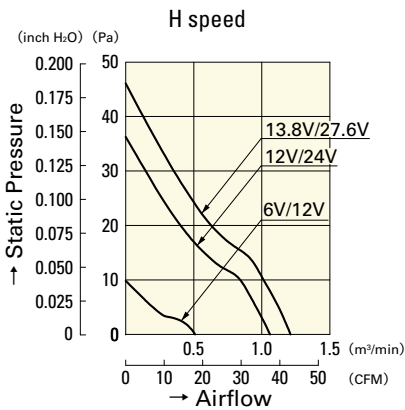
109R0848K401



109R0812G401

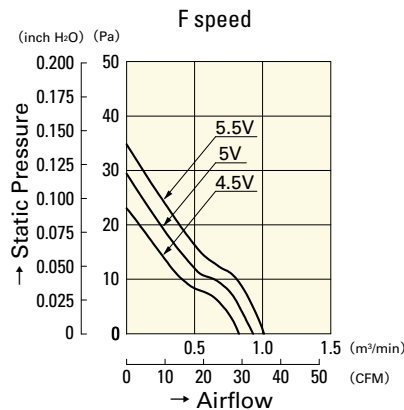


109R0824G401

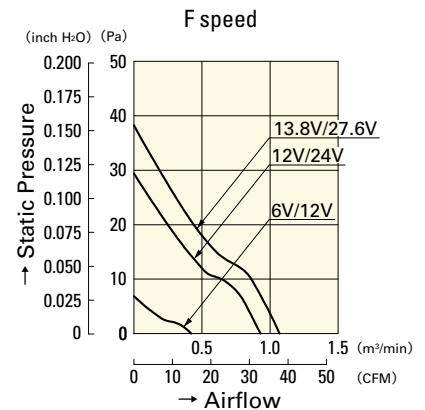


109R0812H401

109R0824H401

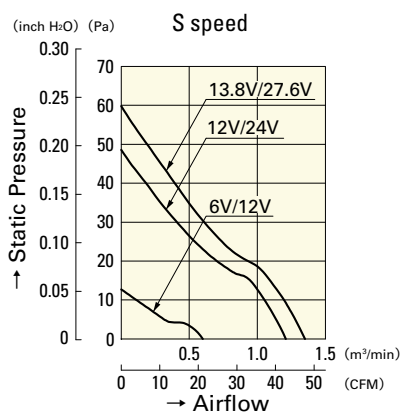


109R0805F401

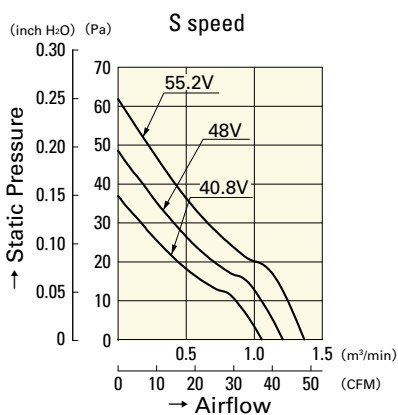


109R0812F401

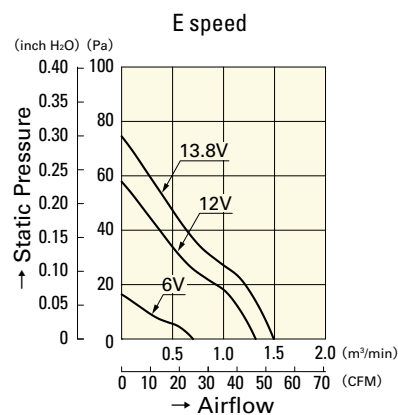
109R0824F401



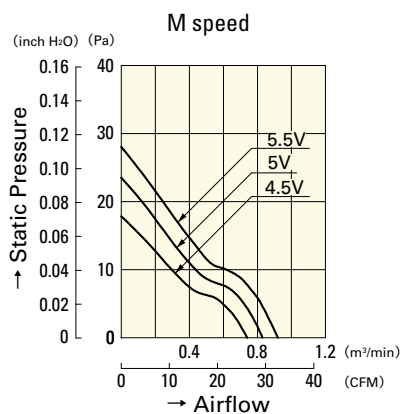
109R0812S401
109R0824S401



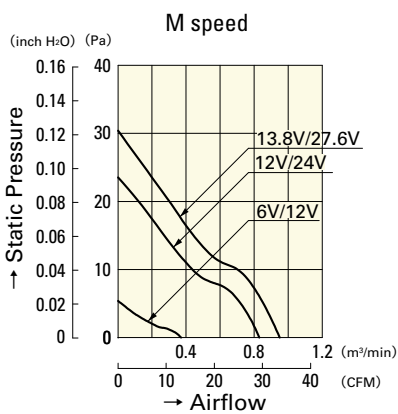
109R0848S401



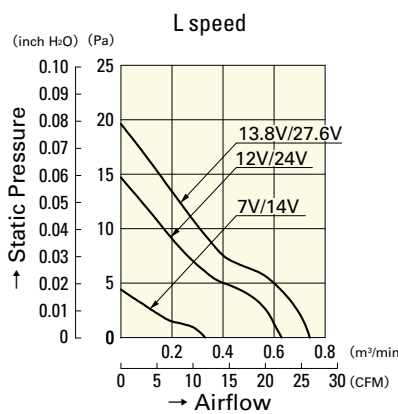
109R0812E401



109R0805M401



109R0812M401
109R0824M401



109R0812L401
109R0824L401