



Chipsmall Limited consists of a professional team with an average of over 10 year of expertise in the distribution of electronic components. Based in Hongkong, we have already established firm and mutual-benefit business relationships with customers from,Europe,America and south Asia,supplying obsolete and hard-to-find components to meet their specific needs.

With the principle of “Quality Parts,Customers Priority,Honest Operation,and Considerate Service”,our business mainly focus on the distribution of electronic components. Line cards we deal with include Microchip,ALPS,ROHM,Xilinx,Pulse,ON,Everlight and Freescale. Main products comprise IC,Modules,Potentiometer,IC Socket,Relay,Connector.Our parts cover such applications as commercial,industrial, and automotives areas.

We are looking forward to setting up business relationship with you and hope to provide you with the best service and solution. Let us make a better world for our industry!



Contact us

Tel: +86-755-8981 8866 Fax: +86-755-8427 6832

Email & Skype: info@chipsmall.com Web: www.chipsmall.com

Address: A1208, Overseas Decoration Building, #122 Zhenhua RD., Futian, Shenzhen, China



φ172mm

San Ace 172



General Specifications

- Material Frame: Aluminum,
Impeller: Plastics (Flammability: UL94V-1)
- Expected Life Refer to specifications (L10:Survival rate: 90% at 60°C ,
rated voltage,and continuously run in a free air state)
- Dielectric Strength 50/60Hz 1,500VAC 1minute (between input terminal and frame)
- Storage Temperature -30°C to +70°C (Non-condensing)
- Operating Voltage Range ... Voltage of each model ±10%

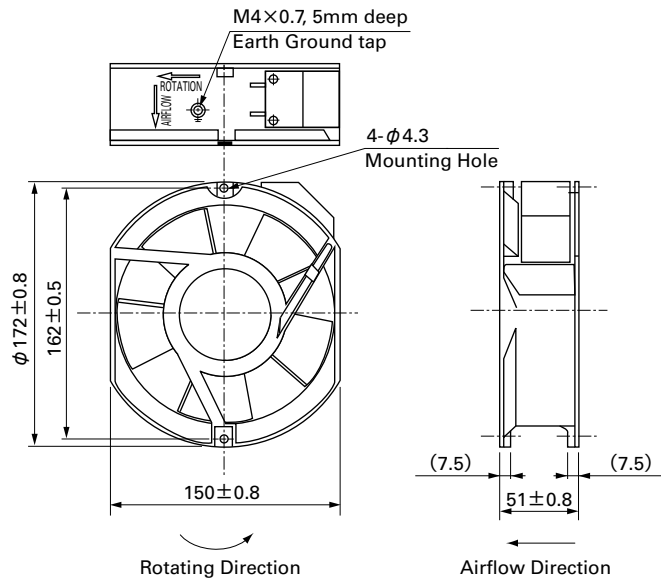
φ172mm × 150mm × 51mm [Mass : 1,000g] **Sidecut type**

Specifications

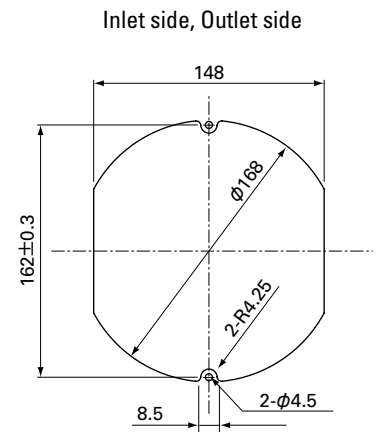
Model No.	Rated Voltage [V]	Frequency [Hz]	Input [W]	Current [A]	Locked Rotor Current [A]	Rated Speed [min ⁻¹]	Max. Airflow [m ³ /min] [CFM]	Max. Static Pressure [Pa] [inchH ₂ O]	SPL [dB(A)]	Operating Temperature [°C]	Expected Life [h]
109S301	100	50/60	27/25	0.33/0.25	0.65/0.64	2,900/3,500	5.3/6.4 187.3/226.1	147/196 0.590/0.787	51/56	-30 to +60	25,000/60°C
109S304	115			0.29/0.22	0.55/0.54						
109S302	200			0.16/0.13	0.33/0.32						
109S303	230			0.14/0.11	0.28/0.27						

Set Models Fan, finger guard, plug cord, screws, etc. can be purchased in one package. For details, please refer to pp. 453 to 456.

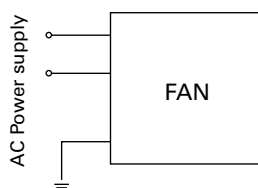
Dimensions (unit: mm)



Reference Dimensions of Mounting Holes and Vent Opening (unit: mm)



Wiring Diagram

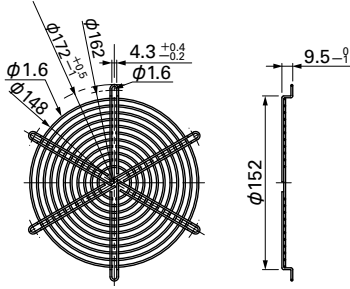


Options (unit: mm)

Finger Guards

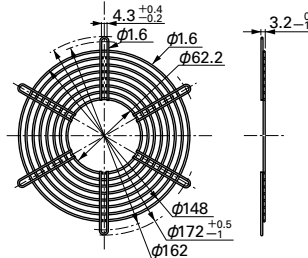
Model : 109-319E Surface treatment : Nickel-chrome plating (silver) Color
 : 109-319H : Cation electropainting (black)

Inlet side, Outlet side



Mass : 69g

Outlet side

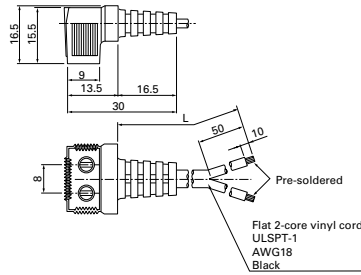
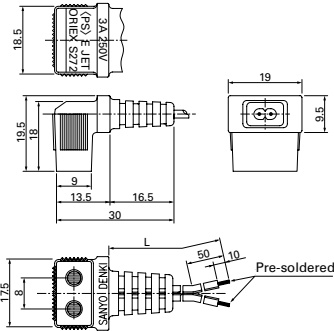


Mass : 53g

Plug Cord

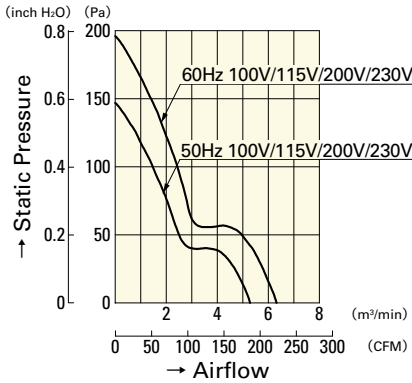
(Products compliant with Electrical Appliance and Material Safety Law)
 Model : 489-1619-L10/489-1619-L21

(UL/CSA CERTIFIED)
 UL FILE No.E50197 CSA FILE No.LR67048
 Model : 489-084-L10/489-084-L21



Model	Power cord length (L) [mm]	Mass [g]
489-1619-L10	1,000	34
489-1619-L21	2,100	64
489-084-L10	1,000	37
489-084-L21	2,100	70

Airflow - Static Pressure Characteristics



109S301	109S304
109S302	109S303