



Chipsmall Limited consists of a professional team with an average of over 10 year of expertise in the distribution of electronic components. Based in Hongkong, we have already established firm and mutual-benefit business relationships with customers from,Europe,America and south Asia,supplying obsolete and hard-to-find components to meet their specific needs.

With the principle of “Quality Parts,Customers Priority,Honest Operation,and Considerate Service”,our business mainly focus on the distribution of electronic components. Line cards we deal with include Microchip,ALPS,ROHM,Xilinx,Pulse,ON,Everlight and Freescale. Main products comprise IC,Modules,Potentiometer,IC Socket,Relay,Connector.Our parts cover such applications as commercial,industrial, and automotives areas.

We are looking forward to setting up business relationship with you and hope to provide you with the best service and solution. Let us make a better world for our industry!



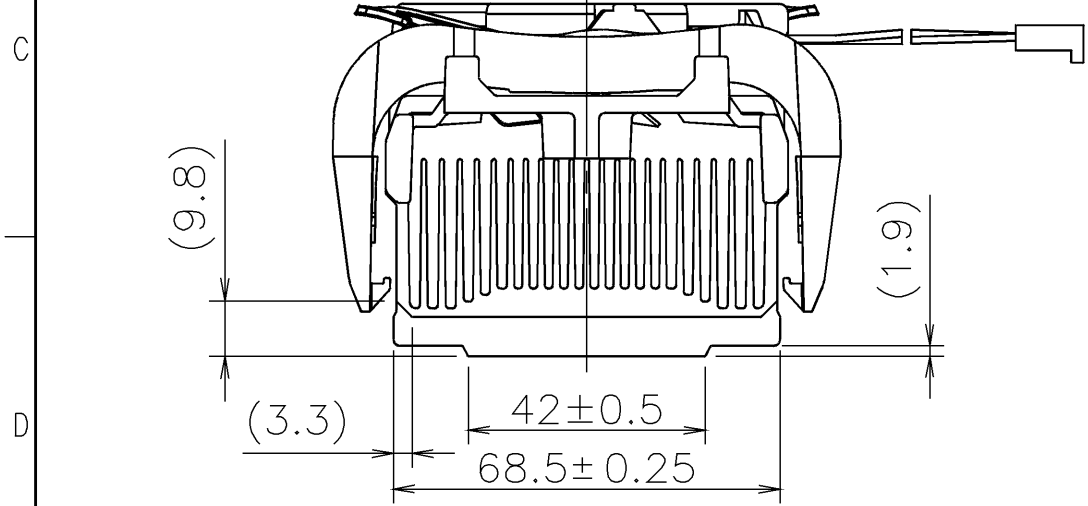
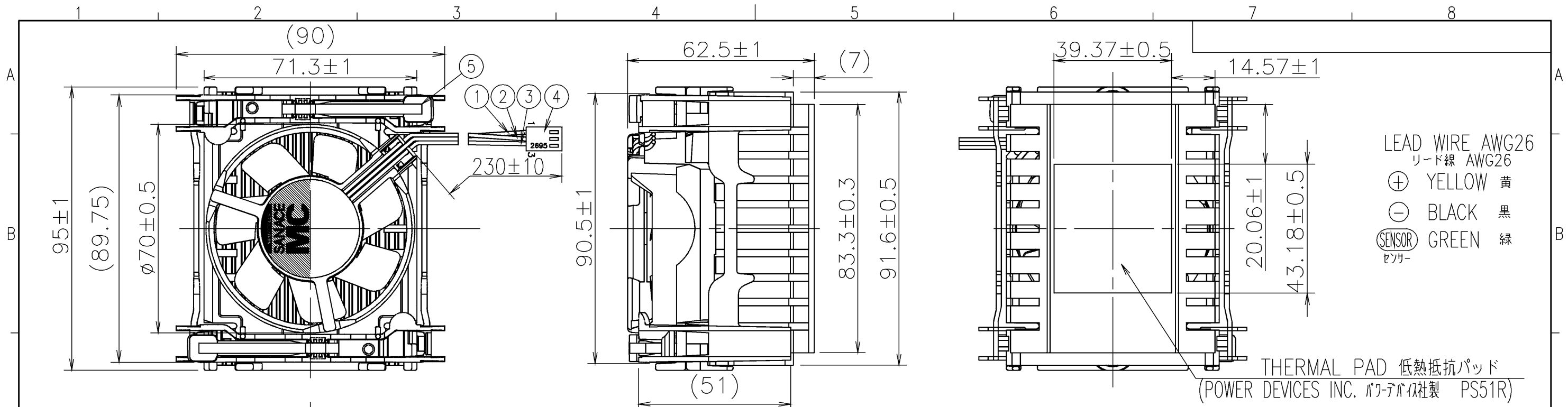
Contact us

Tel: +86-755-8981 8866 Fax: +86-755-8427 6832

Email & Skype: info@chipsmall.com Web: www.chipsmall.com

Address: A1208, Overseas Decoration Building, #122 Zhenhua RD., Futian, Shenzhen, China





| | | |
|------------------------------------------|-----------------------------------------------------------------------------------------------------------|-----------------------------------------|
| RATED VOLTAGE 定格電圧 | 12 V DC | |
| OPERATING VOLTAGE 使用電圧範囲 | 7 V DC ~ 13.8 V DC | |
| RATED CURRENT 定格電流 | 0.24 A MAX. AT 12 V DC 0.24 A 以下 (DC12 Vにて) | |
| RATED SPEED 定格回転速度 | 3900 min ⁻¹ AT 12 V DC 3900 min ⁻¹ (DC12 Vにて) | |
| THERMAL RESISTANCE θ_{c-a} 熱抵抗 | 0.42 K/W AT 3900 min ⁻¹ 0.42 K/W (3900 min ⁻¹ にて) | |
| SOUND PRESSURE LEVEL 音圧レベル | 39 dB [A] (NOMINAL) AT 3900 min ⁻¹ (NOTE1) 39 dB [A] (中心値) (3900 min ⁻¹ にて) (注1) | |
| INSULATION RESISTANCE 絶縁抵抗 | 10 M Ω MIN. AT 500 V DC (NOTE2) DC500 Vメガーにて10 M Ω 以上 (注2) | |
| DIELECTRIC STRENGTH 絶縁耐圧 | ONE MINUTE AT 500 V AC, 50/60 Hz (NOTE2) AC50/60 Hz, 500 Vにて1分間耐えること (注2) | |
| OPERATING TEMP. RANGE 使用温度範囲 | 0 °C ~ +60 °C | |
| STORAGE TEMP. RANGE 保存温度範囲 | -30 °C ~ +70 °C | |
| MASS 質量 | APPROX. 390 g 約 390 g | |
| MATERIAL 材質 | FRAME, IMPELLER : PLASTICS フレーム・羽根 : 樹脂 | HEAT SINK : ALUMINUM ヒートシンク : アルミニウム |

| | | |
|-------|-------------------|------------------------------------------------------------------|
| 5 | CLIP クリップ | PLASTICS 樹脂 |
| 4 | CONNECTOR コネクタ | MOLEX 22-01-3037:P/N 2695-03RP モレックス 22-01-3037:P/N 2695-03RP |
| | CONTACT 端子 | MOLEX P/N 5159PBT or EQUIVALENT モレックス P/N 5159PBT または 相当品 |
| 3 | LEAD WIRE リード線 | UL1430 AWG26 GREEN PIN No.3 UL1430 AWG26 緑 No.3側 |
| 2 | LEAD WIRE リード線 | UL1430 AWG26 YELLOW PIN No.2 UL1430 AWG26 黄 No.2側 |
| 1 | LEAD WIRE リード線 | UL1430 AWG26 BLACK PIN No.1 UL1430 AWG26 黒 No.1側 |
| No.番号 | PARTS名称 | REMARKS備考 |

NOTE:1. MEASURED AT 1 m DISTANCE FROM MOTER SURFACE.
注 機器表面側より1 mにて測定する。

2. MEASURED BETWEEN THE TERMINALS AND THE FRAME.
入力端子とフレームとの間。

3. MOTOR IS PROTECTED FROM DAMAGE OF LOCKED ROTOR CONDITION AT THE OPERATING VOLTAGE.
ファン拘束時焼損の恐れはない。

4. FOR SENSOR SPEC., SEE 9D0001H011.
センサー仕様は、9D0001H011による。

| | | | | |
|-----------------------------------|----------------|----------|----------------------------------------|---------------------------------------------------------|
| F | E0087187 | 07-10-09 | 承認 APPROVED BY J. Ogawa 07-10-15 | 品目分類記号 3511 |
| E | E0086999 | 07-09-25 | | |
| D | E0079431 | 06-09-19 | 単位 UNIT m m | 名称 TITLE MPU COOLER SAN ACE MC MPUクーラー サンエースMC |
| C | E0056865 | 03-10-08 | | |
| A | 新規作成 渡辺(道) | 01-07-05 | 尺度 SCALE 07-10-09 | 署名 SIGNED BY M. MARUYAMA 07-10-09 |
| 記号 REV. | 記事 DESCRIPTION | 日付 DATE | | |
| 山洋電気株式会社 SANYO DENKI CO., LTD. | | | 図番 DWG NO. 109X9812H0016 | REV. F |

SENSOR SPECIFICATION FOR BRUSHLESS DC FAN

ブラシレスDCファン センサー仕様

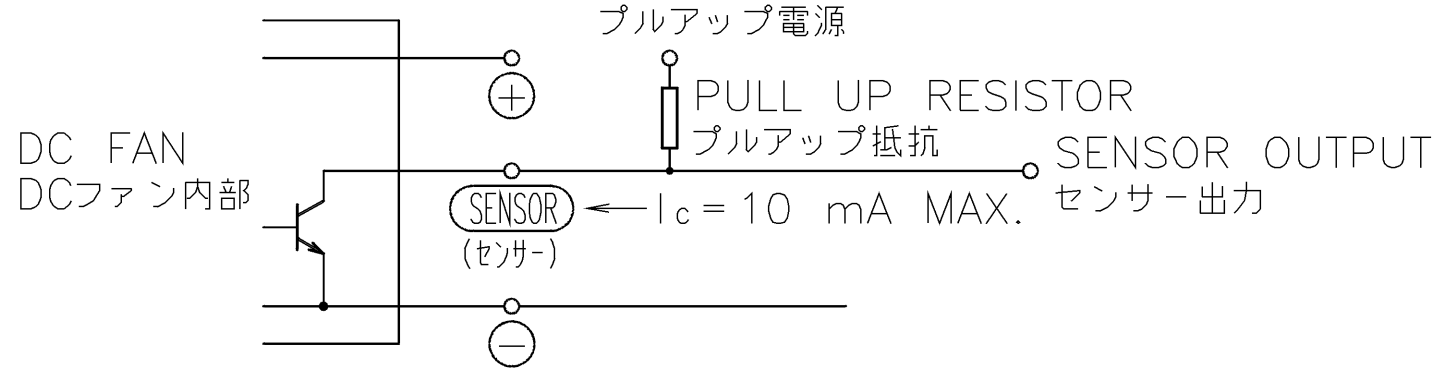
1. OUTPUT CIRCUIT - OPEN COLLECTOR
出力回路-オープンコレクタ

2. SPECIFICATION
仕様

$$V_{CE} = +30 \text{ V DC MAX.}$$

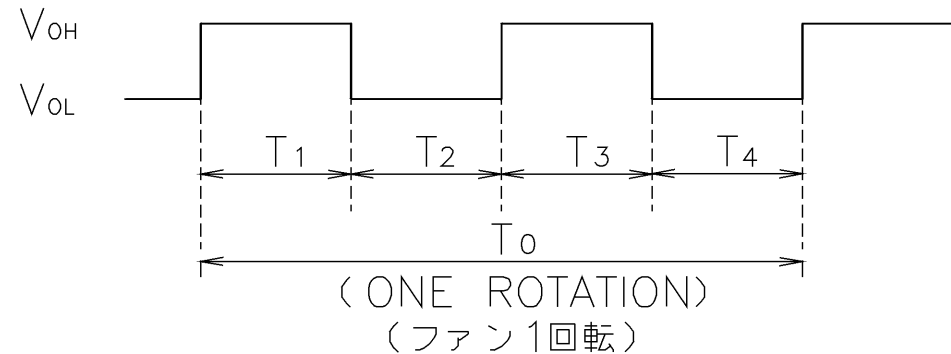
$$I_c = 10 \text{ mA MAX. (} V_{CE}(\text{SAT}) = 0.4 \text{ V MAX.)}$$

PULL UP VOLTAGE: +30 V DC MAX.
プルアップ電源



3. WAVEFORM OF SENSOR OUTPUT
センサー出力波形

(a) RUNNING CONDITION
通常回転時



$$T_{1\sim4} \doteq (1/4) T_0$$

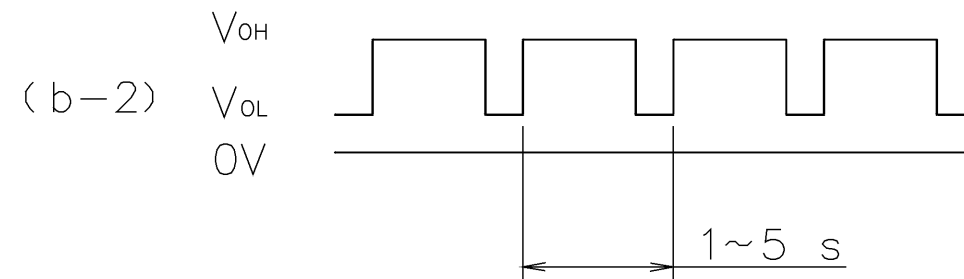
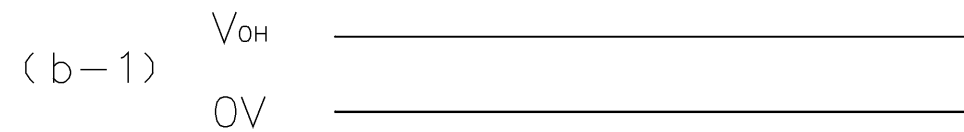
$$T_{1\sim4} \doteq (1/4) T_0 = 60/4 \text{ N(s)}$$

$N = \text{FAN ROTATION SPEED (min}^{-1}\text{)}$
ファン回転速度

(b) LOCKED ROTOR CONDITION
羽根ロック時

SENSOR OUTPUT IS FIXED EITHER
(b-1) OR (b-2) AT LOCKED ROTOR CONDITION.

下図のどちらかに固定される。



| | | | | |
|-----------------------------------|----------------|----------|------------------------------------------------|----------------------------------------------------|
| F | E0080323 | 06-10-12 | 承認 APPROVED BY <i>M. Murata</i> 06-10-12 | PULSE SENSOR パルスセンサー |
| E | E0036047 | 00-09-08 | | |
| D | E0035505 | 00-08-04 | 審査 CHECKED BY <i>M. Murata</i> 06-10-12 | 名称 TITLE SENSOR SPECIFICATION BLDCファン センサー仕様 |
| C | E0031997 | 00-02-21 | | |
| A | 新規作成 宮原 | 88-09-09 | 設計 DESIGNED BY JIAMBAO 06-10-12 | |
| 記号 REV. | 記事 DESCRIPTION | 日付 DATE | 尺度 SCALE mm | 単位 UNIT |
| 山洋電気株式会社 SANYO DENKI CO., LTD. | | | 図番 DWG NO. 9D0001H011 | |
| | | | A3G-F1 | |
| | | | 00003223 | |