



Chipsmall Limited consists of a professional team with an average of over 10 year of expertise in the distribution of electronic components. Based in Hongkong, we have already established firm and mutual-benefit business relationships with customers from,Europe,America and south Asia,supplying obsolete and hard-to-find components to meet their specific needs.

With the principle of “Quality Parts,Customers Priority,Honest Operation,and Considerate Service”,our business mainly focus on the distribution of electronic components. Line cards we deal with include Microchip,ALPS,ROHM,Xilinx,Pulse,ON,Everlight and Freescale. Main products comprise IC,Modules,Potentiometer,IC Socket,Relay,Connector.Our parts cover such applications as commercial,industrial, and automotives areas.

We are looking forward to setting up business relationship with you and hope to provide you with the best service and solution. Let us make a better world for our industry!



Contact us

Tel: +86-755-8981 8866 Fax: +86-755-8427 6832

Email & Skype: info@chipsmall.com Web: www.chipsmall.com

Address: A1208, Overseas Decoration Building, #122 Zhenhua RD., Futian, Shenzhen, China



REV. Status

REVISION -
8/31/99 TS

International Power Transformer

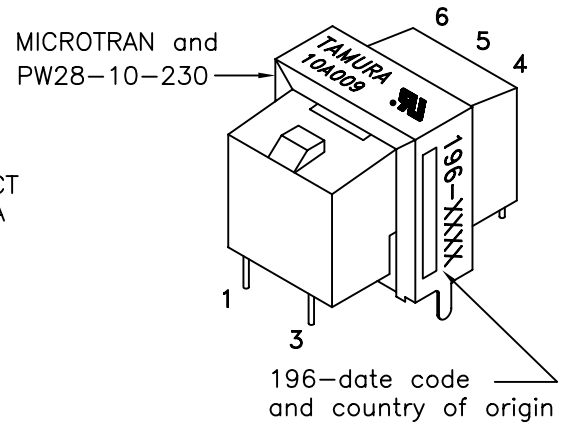
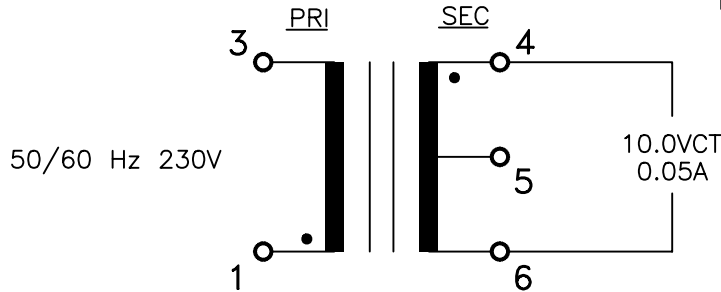
A. Electrical Specifications (@ 25 ° C)

1. Input voltage: 50/60Hz 230V
2. Output voltage: AC 10.0V±5% @ 0.05A load
3. Output voltage regulation:
25% MAX input 50/60Hz 230V @ full load to no load
4. Existing current: 15mA MAX @ input 230V 50Hz
5. Temperature Rise: 35 ° C MAX
6. Insulation Resistance:
DC 500V 100MΩ MIN Pri to Sec, Pri to Core, Sec to Core
7. Hi-Pot: AC 4KVrms 1 minute Pri to Sec, Pri to Core
AC 500Vrms 1 minute Sec to Core

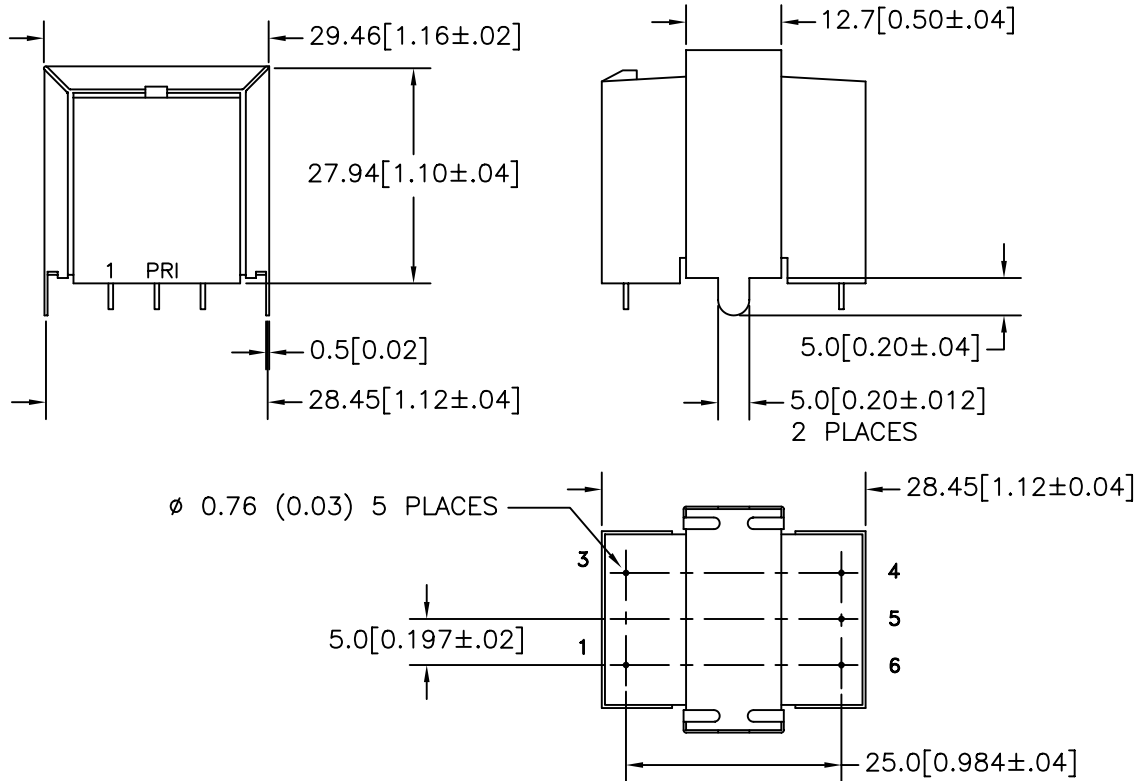
B. Marking: 10A009, TAMURA, PW28-10-230, MICROTRAN, 196-date code, and country of origin

C. Safety: UL1411 Class A File No. E98949

D. Schematic Diagram



E. Mechanical Specifications



PREPARED BY:

D. Rund
ENGINEER:

T. Shiozawa
QUALITY CONTROL:

D. Kelley
APPROVED:

D. Kelley

DWG CONTROL NO. P-A1-12218 ACAD\MXFMR\A1122181.DWG	REV -	POWER TRANSFORMER 10A009	10A009 MODEL SPECIFICATION		
CONTENTS OF THIS DRAWING ARE SUBJECT TO CHANGE WITHOUT PRIOR NOTICE		TAMURA CORPORATION OF AMERICA 43352 BUSINESS PARK DRIVE, TEMECULA, CA. 92590-6624 (909) 699-1270 FAX 9096769482			
PROPRIETARY NOTICE: THIS DRAWING PRINT OR DOCUMENT AND SUBJECT MATTER DISCLOSED HEREIN ARE PROPRIETARY ITEMS TO WHICH TAMURA RETAINS THE EXCLUSIVE RIGHT OF DISSEMINATION, REPRODUCTION, MANUFACTURE AND SALE. THIS DRAWING, PRINT OR DOCUMENT IS SUBMITTED IN CONFIDENCE FOR CONSIDERATION BY THE RECIPIENT ALONE UNLESS PERMISSION FOR FURTHER DISCLOSURE IS EXPRESSLY GRANTED IN WRITING.					

MODEL NUMBER
10A009