

Chipsmall Limited consists of a professional team with an average of over 10 year of expertise in the distribution of electronic components. Based in Hongkong, we have already established firm and mutual-benefit business relationships with customers from,Europe,America and south Asia,supplying obsolete and hard-to-find components to meet their specific needs.

With the principle of “Quality Parts,Customers Priority,Honest Operation,and Considerate Service”,our business mainly focus on the distribution of electronic components. Line cards we deal with include Microchip,ALPS,ROHM,Xilinx,Pulse,ON,Everlight and Freescale. Main products comprise IC,Modules,Potentiometer,IC Socket,Relay,Connector.Our parts cover such applications as commercial,industrial, and automotives areas.

We are looking forward to setting up business relationship with you and hope to provide you with the best service and solution. Let us make a better world for our industry!



Contact us

Tel: +86-755-8981 8866 Fax: +86-755-8427 6832

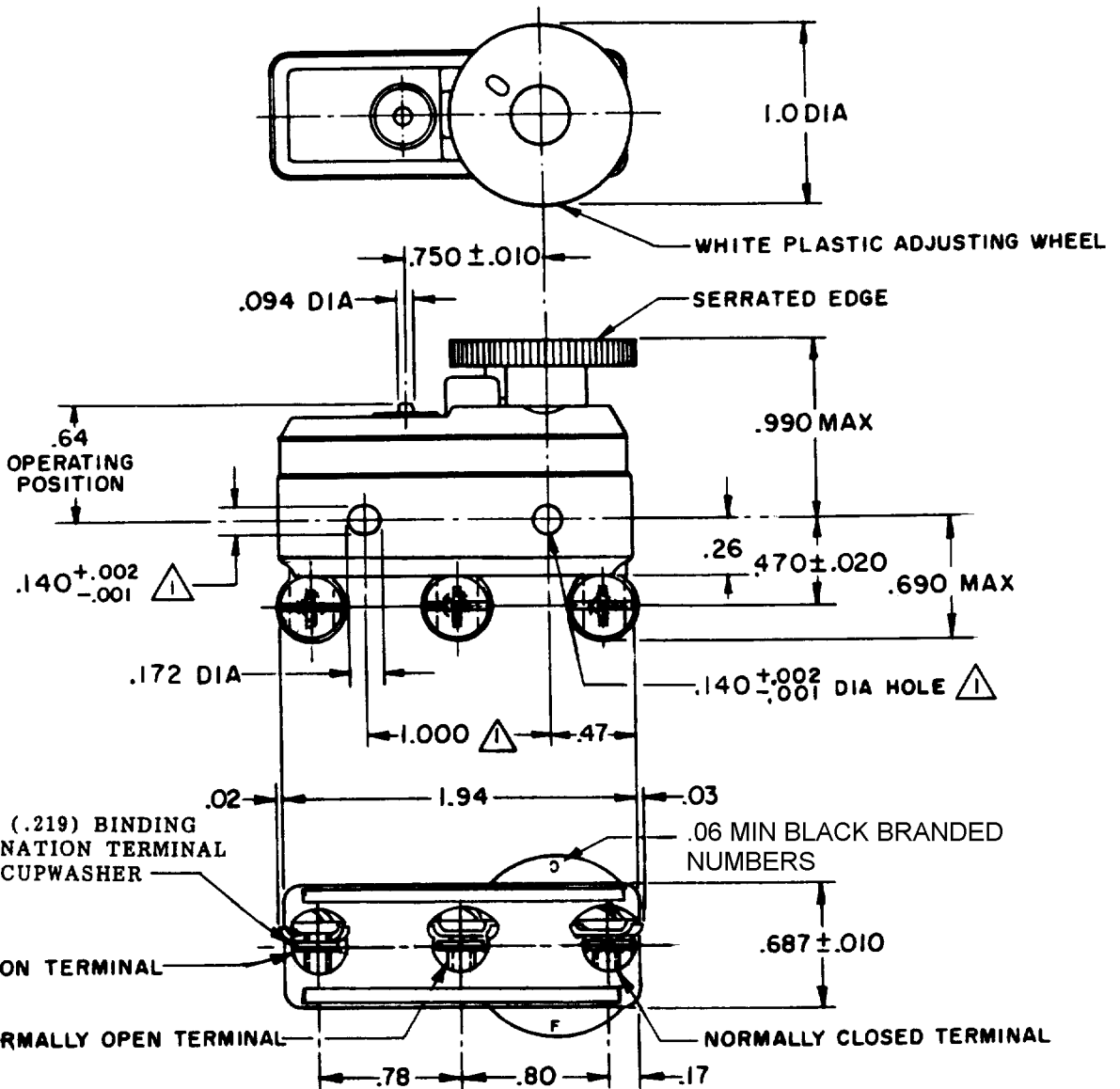
Email & Skype: info@chipsmall.com Web: www.chipsmall.com

Address: A1208, Overseas Decoration Building, #122 Zhenhua RD., Futian, Shenzhen, China

CATALOG LISTING
10BS211
PAGE 1 OF 1
REPLACES
PR-2484
ISSUE
M
12

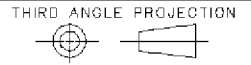
REVISIONS
A 205627
CSL
22 MAY 02

CHECK
22 MAY 02
S AV
CHECK
22 MAY 02
DRAWN
RASTER



- NOTES**
- 1 MOUNTING HOLES WILL ACCEPT PINS OR SCREWS OF .139 MAX DIA ON 1.000 ± .002 CENTERS
 - 2 - DIAL WHEEL IS SHOWN AT THE MAX SETTING OF BREAK DISTANCE
 - 3 - DIAL WHEEL ROTATION 300°

THIS DRAWING COVERS A PROPRIETARY ITEM AND IS THE PROPERTY OF MICRO SWITCH, A DIVISION OF HONEYWELL. THIS DRAWING IS NOT TO BE COPIED OR USED WITHOUT THE APPROVAL OF MICRO SWITCH.



CHARACTERISTICS	ELECTRICAL DATA	SCALE FULL	DO NOT SCALE PRINT
AT MIN SETTING OPERATING FORCE ----- 11-20 OZ RELEASE FORCE ----- 10 OZ MIN DIFFERENTIAL TRAVEL ----- .0015-.0025 AT MAX SETTING DIFFERENTIAL TRAVEL ----- .007 MIN OVERTRAVEL ----- .010 MIN	CONTACT ARRANGEMENT S P D T L17 20A 125, 250 OR 480 VAC 3/4HP 125 VAC, 1 1/2HP 250 VAC	ONE PLACE (.0) ± .030 TWO PLACE (.00) ± .015 THREE PLACE (.000) ± .005 ANGLES ±	UNLESS OTHERWISE SPECIFIED TOLERANCES ARE
		WEIGHT	

