



Chipsmall Limited consists of a professional team with an average of over 10 year of expertise in the distribution of electronic components. Based in Hongkong, we have already established firm and mutual-benefit business relationships with customers from,Europe,America and south Asia,supplying obsolete and hard-to-find components to meet their specific needs.

With the principle of “Quality Parts,Customers Priority,Honest Operation,and Considerate Service”,our business mainly focus on the distribution of electronic components. Line cards we deal with include Microchip,ALPS,ROHM,Xilinx,Pulse,ON,Everlight and Freescale. Main products comprise IC,Modules,Potentiometer,IC Socket,Relay,Connector.Our parts cover such applications as commercial,industrial, and automotives areas.

We are looking forward to setting up business relationship with you and hope to provide you with the best service and solution. Let us make a better world for our industry!



Contact us

Tel: +86-755-8981 8866 Fax: +86-755-8427 6832

Email & Skype: info@chipsmall.com Web: www.chipsmall.com

Address: A1208, Overseas Decoration Building, #122 Zhenhua RD., Futian, Shenzhen, China



C. Webster 11-18-91 3

SAFETY ORGANIZATION(S)

THIS FILTER HAS BEEN FORMALLY RECOGNIZED, CERTIFIED OR APPROVED BY THE LISTED AGENCY. THEREFORE, ALL TEST/REQUIREMENTS SPECIFIED IN THE LATEST REVISION OF THE FOLLOWING AGENCY STANDARDS HAVE BEEN MET.

- UL RECOGNIZED
- CSA CERTIFIED
- VDE APPROVED
- UL 544
- CSA 22.2, NO. 0, 0.4, 8
- VDE 565-3, 625

OPERATING SPECIFICATIONS:

- LINE VOLTAGE/CURRENT:
- LINE FREQUENCY:
- MAX. CASE RISE θ RATED CURRENT:
- MAX. LEAKAGE CURRENT, EACH LINE TO GROUND
- OPERATING AMBIENT TEMP. RANGE:
- IN AN AMBIENT, T_a , HIGHER THAN 40°C, THE MAXIMUM OPERATING CURRENT, I_o , IS AS FOLLOWS:

$$I_o = I_r \sqrt{\frac{85 - T_a}{45}}$$

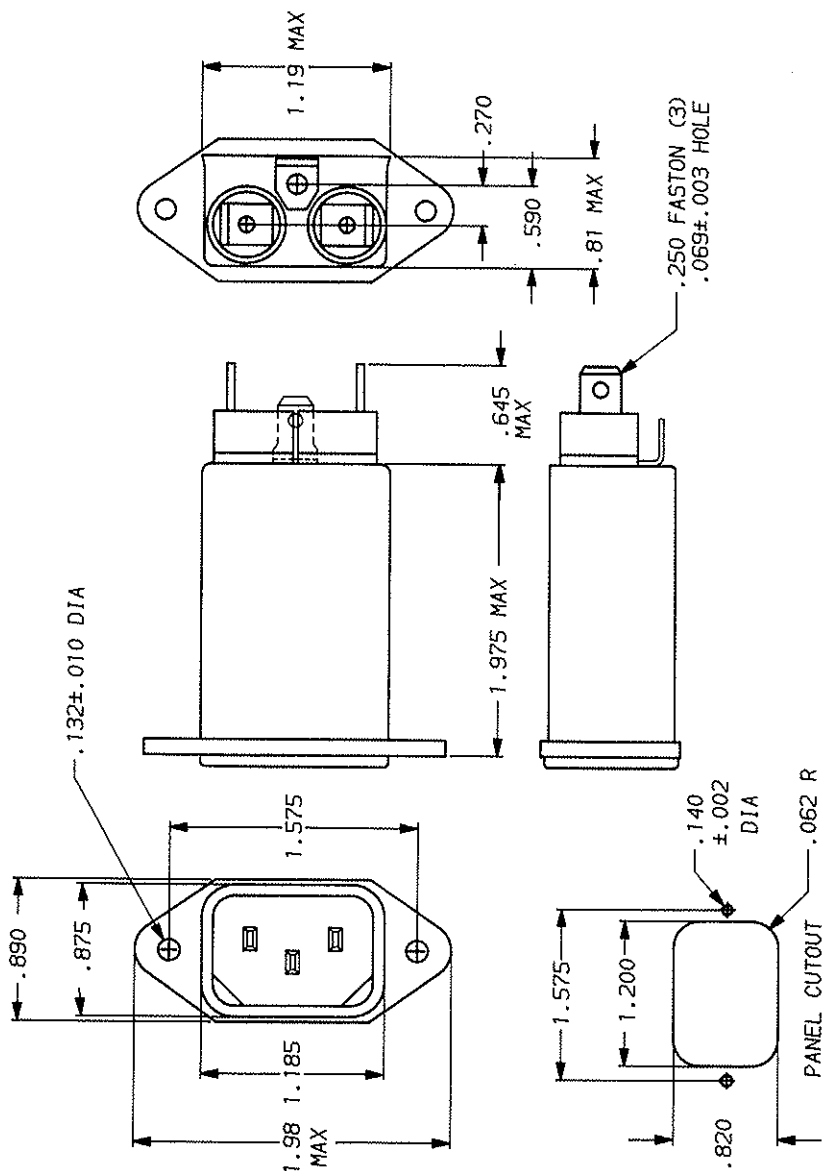
RELIABILITY SPECIFICATIONS:

- STORAGE TEMPERATURE:
- HUMIDITY:
- CURRENT OVERLOAD TEST:

TEST SPECIFICATIONS:

- INDUCTANCE:
- CAPACITANCE, (MEASURED @ 1 KHz, 0.25 VAC MAX., 25°C \pm 1°C) LINE TO LINE:
- DISCHARGE RESISTOR, LINE/GROUND AND LINE/LINE
- INSULATION RESISTANCE (W/O DISCHARGE RESISTOR)
- RECOMMENDED RECEIVING INSPECTION HIPOT:
- LINE TO GROUND:
- LINE TO LINE:

FILTER APPROVAL:
THE BEST WAY TO SELECT AND QUALIFY A FILTER IS FOR YOUR ENGINEERING TO TEST THE UNIT IN YOUR EQUIPMENT.



FREQUENCY MHZ	50 α - 50 α (MINIMUM) INSERTION LOSS									
	1.5	1.0	2.0	5.0	10	20	30			
COMMON	7	13	15	17	17	16	15	14		

This document is proprietary to CORCOM INC. and is not to be reproduced nor used for manufacturing purposes except on CORCOM's order or prior written consent.

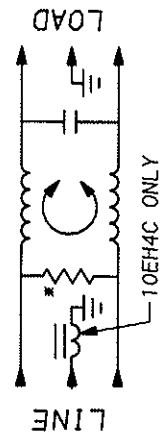
TOLERANCE EXCEPT AS NOTED
DECIMAL: .XXX .XX .X ANGLES \pm 1°
ENGLISH: \pm .015
METRIC: \pm

MATERIAL: AS SUPPLIED
FINISH: AS SUPPLIED

TOLERANCE EXCEPT AS NOTED
SCALE: NTS 9-12-89
DATE: 9-12-89
REV. NO.: 10EH4 ~ 10EH4C
ORIGINATOR: CM
REV.: 3

22 CORCOM
LIBERTYVILLE, IL 60048

POWER LINE FILTER



*RESISTOR ADDED TO PRODUCT BUILT AFTER 3-30-92 (9212).