



Chipsmall Limited consists of a professional team with an average of over 10 year of expertise in the distribution of electronic components. Based in Hongkong, we have already established firm and mutual-benefit business relationships with customers from,Europe,America and south Asia,supplying obsolete and hard-to-find components to meet their specific needs.

With the principle of “Quality Parts,Customers Priority,Honest Operation,and Considerate Service”,our business mainly focus on the distribution of electronic components. Line cards we deal with include Microchip,ALPS,ROHM,Xilinx,Pulse,ON,Everlight and Freescale. Main products comprise IC,Modules,Potentiometer,IC Socket,Relay,Connector.Our parts cover such applications as commercial,industrial, and automotives areas.

We are looking forward to setting up business relationship with you and hope to provide you with the best service and solution. Let us make a better world for our industry!



Contact us

Tel: +86-755-8981 8866 Fax: +86-755-8427 6832

Email & Skype: info@chipsmall.com Web: www.chipsmall.com

Address: A1208, Overseas Decoration Building, #122 Zhenhua RD., Futian, Shenzhen, China



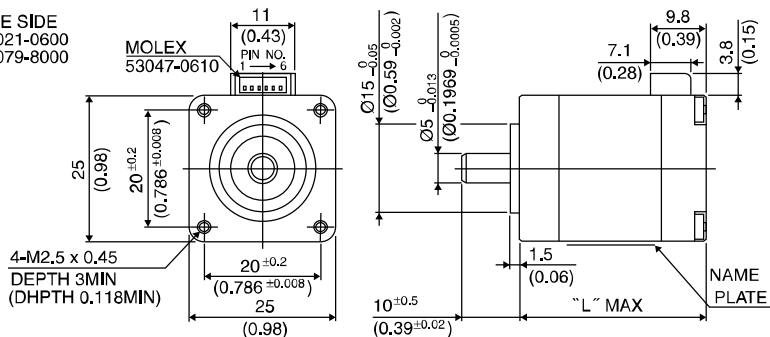
25 1.8°

10PM-K

1.8°

■ 外観図 Outline

- LEAD WIRE SIDE
- HSG: 51021-0600
- PIN : 50079-8000

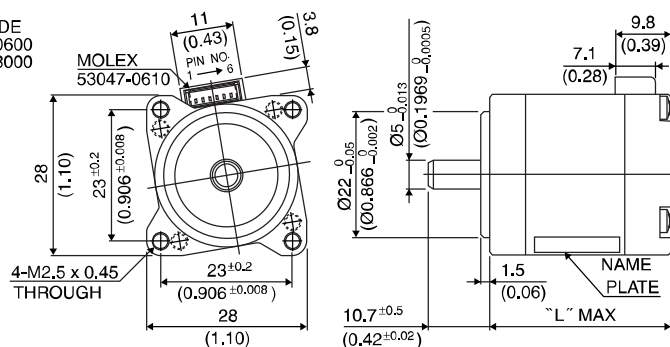


UNIT: mm (inch)

Hybrid

取付寸法□28mmタイプも御座います。Motor frame size of 28mm is also available.

- LEAD WIRE SIDE
- HSG: 51021-0600
- PIN : 50079-8000



UNIT: mm (inch)

	"L"
10PM-K2**	23.5(0.92)
10PM-K0**	27.5(1.08)
10PM-K7**	33(1.3)
10PM-K1**	40.5(1.59)
10PM-K4**	51.5(2.03)

結線表 PIN NO. vs. PHASE

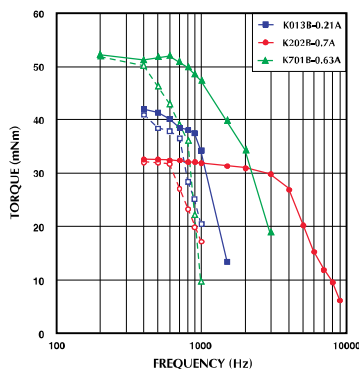
相 (PHASE)	A	B	\bar{A}	\bar{B}
ピン番号 (PIN NO.)	4	1	6	3

■ 仕様 Specifications

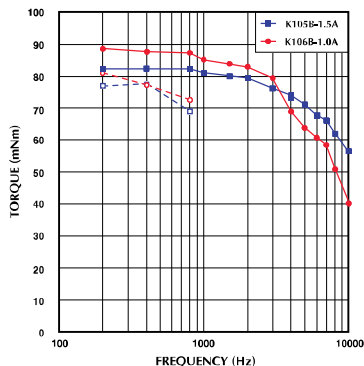
型式	ステップ角	ドライブ方式	定格電流	巻線抵抗	ホールディングトルク	インダクタンス	ロータイナーシャ	デイトントルク	質量
Model	Step Angle	Drive Sequence	Rated Current	Resistance	Holding Torque	Inductance	Rotor Inertia	Detent Torque	Mass
	(deg)		(A)	(Ohms)	(mNm)	(mH)	(g·cm ²)	(mNm)	(g)
10PM-K013B	1.8	BI-POLAR	0.21	47.0	49	30.0	3	2.5	70
10PM-K105B	1.8	BI-POLAR	1.5	1.2	90	1.0	8	4.0	110
10PM-K106B	1.8	BI-POLAR	1.0	2.8	90	2.5	8	4.0	110
10PM-K202B	1.8	BI-POLAR	0.7	3.8	33	2.0	2	2.0	55
10PM-K405B	1.8	BI-POLAR	1.5	1.6	120	1.6	12	5.0	150
10PM-K406B	1.8	BI-POLAR	1.0	3.8	120	3.6	12	5.0	150
10PM-K701B	1.8	BI-POLAR	0.63	5.8	62	5.4	5	3.0	90

■ トルク・スピード特性 Torque/Speed Characteristics

Model No: 10PM-K013B/K202B/K701B
Driver: Chopper Dual
Supply Voltage: 24.0 (Volt)



Model No: 10PM-K105B/K106B
Driver: Chopper Dual
Supply Voltage: 24.0 (Volt)



Model No: 10PM-K405B/K406B
Driver: Chopper Dual
Supply Voltage: 24.0 (Volt)

