



Chipsmall Limited consists of a professional team with an average of over 10 year of expertise in the distribution of electronic components. Based in Hongkong, we have already established firm and mutual-benefit business relationships with customers from,Europe,America and south Asia,supplying obsolete and hard-to-find components to meet their specific needs.

With the principle of "Quality Parts,Customers Priority,Honest Operation,and Considerate Service",our business mainly focus on the distribution of electronic components. Line cards we deal with include Microchip,ALPS,ROHM,Xilinx,Pulse,ON,Everlight and Freescale. Main products comprise IC,Modules,Potentiometer,IC Socket,Relay,Connector.Our parts cover such applications as commercial,industrial, and automotives areas.

We are looking forward to setting up business relationship with you and hope to provide you with the best service and solution. Let us make a better world for our industry!



Contact us

Tel: +86-755-8981 8866 Fax: +86-755-8427 6832

Email & Skype: info@chipsmall.com Web: www.chipsmall.com

Address: A1208, Overseas Decoration Building, #122 Zhenhua RD., Futian, Shenzhen, China



INTRODUCTIONS

1. Power module incorporates an IEC connector, single or double-fuse (IEC 5x20mm) holder, and double-pole power switch, plus an EMI filter all-in-one easy-to-install unit.
2. All part numbers are UL, CSA and VDE approved.
3. With optional Y CAP. from 1000/3300pF.
4. Switch electrical lifetime: 10,000 cycles.
Maximum inrush current: 50A

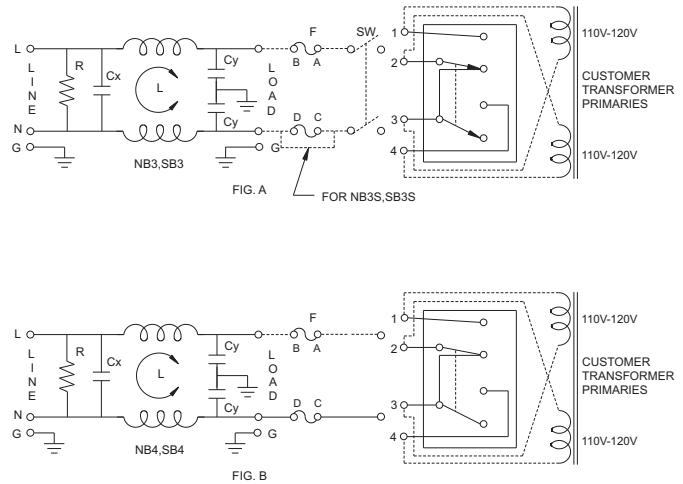
SPECIFICATIONS

1. Maximum leakage current each line-to-ground@115VAC 60Hz: 0.2mA
@250VAC 50Hz: 0.4mA
2. Hipot rating (one minute)
line-to-ground: 2250VDC
line-to-line: 1450VDC
3. Operating frequency: 50/60Hz
4. Rated voltage: 115/250VAC

COMPONENTS

PART NO.	Cx (uF)	L (mH)	Cy (pF)	R(Ω)			
03NB3	0.1	2.5	2200	1M			
03NB4							
03NB3S							
04NB3		2.0					
04NB4							
04NB3S							
06NB3		1.05					
06NB4							
06NB3S							
10NB3		0.2					
10NB4							
10NB3S							
03SB3		0.1			2.5	2200	1M
03SB4							
03SB3S					2.0		
04SB3							
04SB4					1.05		
04SB3S							
06SB3	0.2						
06SB4							
06SB3S							
10SB3							
10SB4							
10SB3S							

ELECTRICAL SCHEMATIC

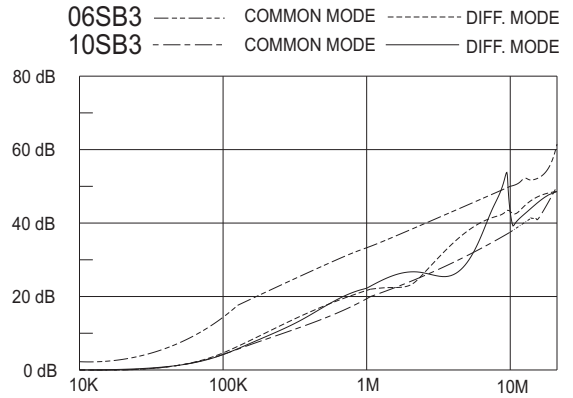
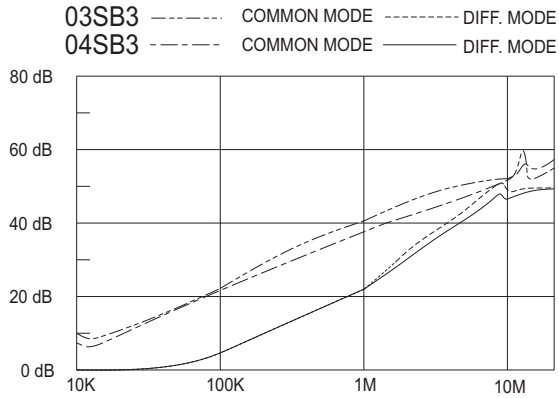


TYPE & RATED CURRENT

DELTA PART NO.		03NB3/SB3	04NB3/SB3	06NB3/SB3	10NB3/SB3	03NB4/SB4	04NB4/SB4	06NB4/SB4	10NB4/SB4
RATED CURRENT	115VAC	3A	4A	6A	10A	3A	4A	6A	10A
	250VAC	3A	4A	6A	6A	3A	4A	6A	6A
IEC CONNECTOR		▲	▲	▲	▲	▲	▲	▲	▲
FUSE		DOUBLE	DOUBLE	DOUBLE	DOUBLE	DOUBLE	DOUBLE	DOUBLE	DOUBLE
*DOUBLE POLE POWER SWITCH		▲	▲	▲	▲	▲	▲	▲	▲
ELECTRICAL SCHEMATIC		FIG.A	FIG.A	FIG.A	FIG.A	FIG.B	FIG.B	FIG.B	FIG.B

3S Single fuse
NB4,SB4 W/O switch

INSERTION LOSS (TYPICAL)



MINIMUM INSERTION LOSS IN dB

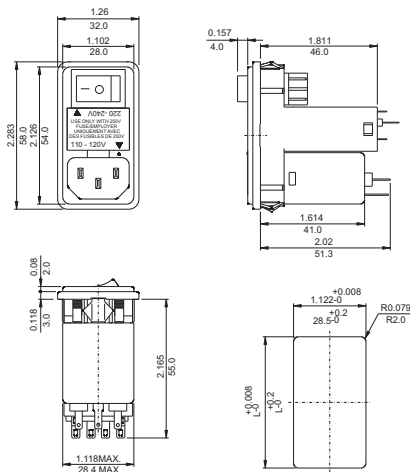
COMMON MODE (L-G) IN 50 OHM SYSTEM						
CURRENT RATING	FREQUENCY-MHz					
	.15	.50	1.0	5.0	10	30
03NB3/SB3	20	25	30	38	40	40
03NB4/SB4	20	25	30	38	40	40
03NB3S/SB3S	20	25	30	38	40	40
04NB3/SB3	20	25	25	40	40	40
04NB4/SB4	20	25	25	40	40	40
04NB3S/SB3S	20	25	25	40	40	40
06NB3/SB3	12	18	24	35	40	40
06NB4/SB4	12	18	24	35	40	40
06NB3S/SB3S	12	18	24	35	40	40
10NB3/SB3	3	8	10	20	30	45
10NB4/SB4	3	8	10	20	30	45
10NB3S/SB3S	3	8	10	20	30	45

COMMON MODE (L-L) IN 50 OHM SYSTEM						
CURRENT RATING	FREQUENCY-MHz					
	.15	.50	1.0	5.0	10	30
03NB3/SB3	4	12	18	38	40	40
03NB4/SB4	4	12	18	38	40	40
03NB3S/SB3S	4	12	18	38	40	40
04NB3/SB3	3	10	15	30	35	35
04NB4/SB4	3	10	15	30	35	35
04NB3S/SB3S	3	10	15	30	35	35
06NB3/SB3	4	10	15	35	40	40
06NB4/SB4	4	10	15	35	40	40
06NB3S/SB3S	4	10	15	35	40	40
10NB3/SB3	5	12	15	30	30	40
10NB4/SB4	5	12	15	30	30	40
10NB3S/SB3S	5	12	15	30	30	40

MECHANICAL CONSTRUCTION



NB3



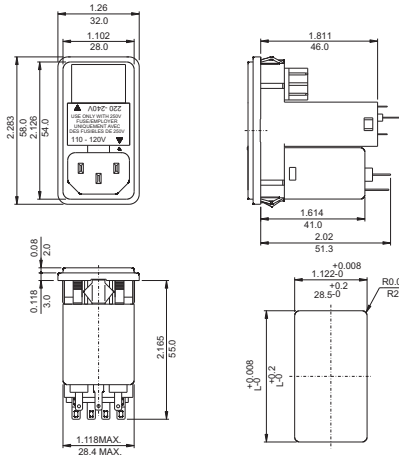
SUGGESTED MOUNTING CUTOUT (MOUNTING FROM FRONT)
 L According to Panel Thickness
 0.8-2.0mm L=55.9
 2.1-3.2mm L=56.2

NB3,3S

UNIT: $\frac{\text{INCH}}{\text{mm}}$



NB4

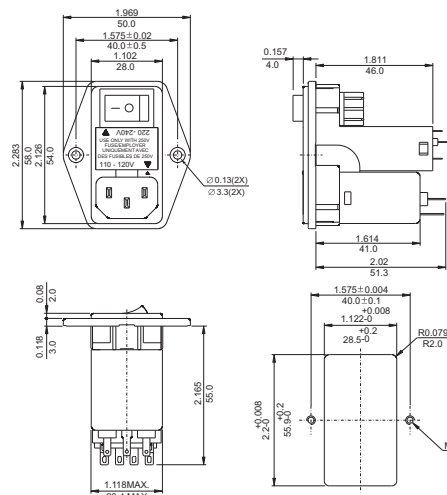


NB4

SUGGESTED MOUNTING CUTOUT
(MOUNTING FROM FRONT)
L According to Panel Thickness
0.8-2.0mm L=55.5
2.1-3.2mm L=56.2



SB3,3S

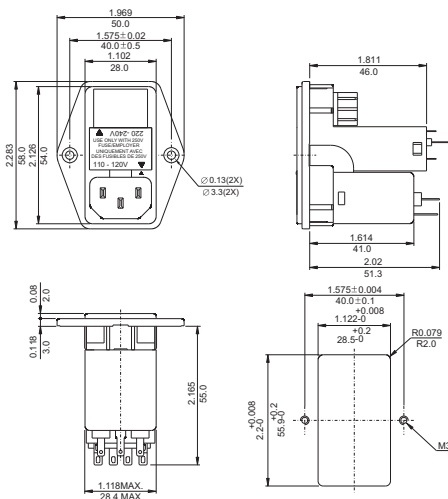


SB3,3S

SUGGESTED MOUNTING CUTOUT
(MOUNTING FROM FRONT)



SB4



SB4

SUGGESTED MOUNTING CUTOUT
(MOUNTING FROM FRONT)

UNIT: INCH
mm