



Chipsmall Limited consists of a professional team with an average of over 10 year of expertise in the distribution of electronic components. Based in Hongkong, we have already established firm and mutual-benefit business relationships with customers from,Europe,America and south Asia,supplying obsolete and hard-to-find components to meet their specific needs.

With the principle of “Quality Parts,Customers Priority,Honest Operation,and Considerate Service”,our business mainly focus on the distribution of electronic components. Line cards we deal with include Microchip,ALPS,ROHM,Xilinx,Pulse,ON,Everlight and Freescale. Main products comprise IC,Modules,Potentiometer,IC Socket,Relay,Connector.Our parts cover such applications as commercial,industrial, and automotives areas.

We are looking forward to setting up business relationship with you and hope to provide you with the best service and solution. Let us make a better world for our industry!



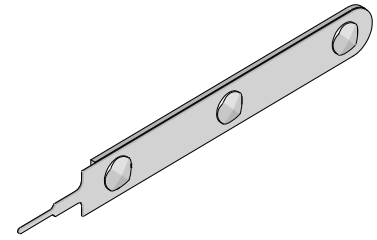
Contact us

Tel: +86-755-8981 8866 Fax: +86-755-8427 6832

Email & Skype: info@chipsmall.com Web: www.chipsmall.com

Address: A1208, Overseas Decoration Building, #122 Zhenhua RD., Futian, Shenzhen, China





Extractor Tool

**Application Tooling
Specification Sheet**

**Order No. 11-03-0043
Engineering No. HT60923A**

FEATURES

- This tool is designed to extract many different terminal series from various plug and receptacle housings. See Chart below.

SCOPE

Products:

Terminal Series No.	Description	Housings Series No.	Terminal Order No.				
43030	Micro-Fit 3.0™ Crimp Terminal 20-24 AWG	43025 43645 44133	43030-0001	43030-0002	43030-0003	43030-0004	43030-0005
			43030-0006	43030-0007	43030-0008	43030-0009	43030-0010
			43030-0011	43030-0012	43030-0051	43030-0052	43030-0053
			43030-0056	43030-0057	43030-0058	43030-0059	43030-0080
			43030-0081	43030-1001			
43031		43020 43640 44300	43031-0001	43031-0002	43031-0003	43031-0004	43031-0005
			43031-0006	43031-0007	43031-0008	43031-0009	43031-0010
			43031-0011	43031-0012	43031-0016	43031-0017	43031-0018
			43031-0019	43031-0051	430310052	430310053	43031-0057
			43031-0059	43031-0102	43031-0103	43031-0106	
44372	Micro-Fit 3.0™ High Force Crimp Terminal 20-24 AWG	43025 43645 44133	44372-0002				
46235	Micro-Fit 3.0™ Crimp Terminal 20-24 AWG	43025 43645 44133	46235-0001 46235-5001	46235-0002 46235-5002	46235-0003 46235-5003	46235-0004 46235-5004	
50011	2.0mm (.079") Low Profile Receptacle Terminal 24-34 AWG	51004 51049	50011-8000	50011-8100	39-00-0422		
50031		51004 51049	50031-8000	50031-8100			
50058	1.25mm (.049") Pitch PicoBlade™ Crimp Terminal 26-32 AWG	51021	50058-8000 50058-8400	50058-8099 50058-8500	50058-8100	50058-8200	50058-8300
50061	1.25mm (.049") Pitch Board-In Crimp Terminal 28-32 AWG	51022	50061-8000 50061-8118	50061-8018 50061-8128	50061-8028	50061-8099	50061-8100
50079	1.25mm (.049") Pitch PicoBlade™ Crimp Terminal 26-28 AWG	51021	50079-8000	50079-8053	50079-8099	50079-8100	50079-8153
50080			39-00-0413	39-00-0414			
50125			50080-8000	50080-8100			
50133	1.25mm (.049") Pitch PicoBlade™ Crimp Terminal 28-32 AWG	51047	50133-8000	50133-8100			
50200	2.0mm (.079") Low Profile Receptacle Terminal 22-32 AWG	51004 51049	50200-8000	50200-8100			

Terminal Series No.	Description	Housings Series No.	Terminal Order No.				
50212	Micro-Latch™ 2.00mm (.079") Pitch Crimp Terminal 24-30 AWG	5109 51065 51090	50212-8000	50212-8100	50212-8200	50212-8300	39-00-0424
50372	2.00mm (.079") Pitch Crimp Terminal 22-26 AWG	5109 51065 51090	50372-8000	50372-8100			
50420	4.00mm (.157") Pitch OBD-II Wire-to-Wire Crimp Terminal	51115 51116	50420-8000	50420-8100	50420-8200		

Note: All Individual terminals may be extracted from the housing using this Tool.

OPERATION:

For 43030, 43031, 44372, and 46235 Terminal Series:

1. Insert the tip of the tool on either side of the terminal until it stops. See Figure 1. Rotate tool clockwise then counter-clockwise approximately 25° to 30° in each direction, once or twice.
2. Repeat steps 1 and 2 on the opposite side of terminal.
3. Pull on the wire and remove the terminal from the housing. See Figure 2.

NOTE: When a terminal is removed in this manner the locking tangs are damaged and the terminal is not reusable.

For 50011, 50031, 50058, 50061, 50079, 50080, 50125, 50133, 50200, 50212 and 50372 Terminal Series:

1. Hold the housing with the locking tang facing up. Bend the wire down and insert the tip of the tool into the housing under the locking tang. See Figure 3.
2. Hold the wire against the extractor tool and pull out the wire and the extractor tool at the same time. See Figure 4.

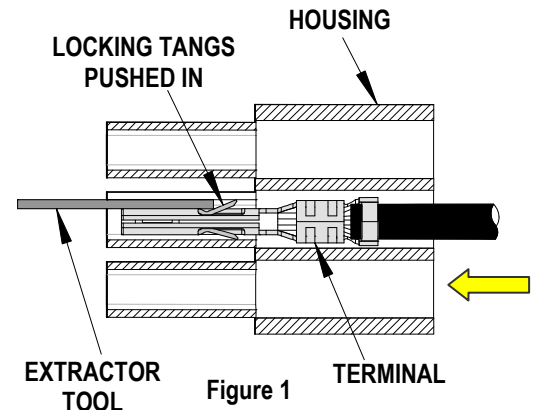


Figure 1

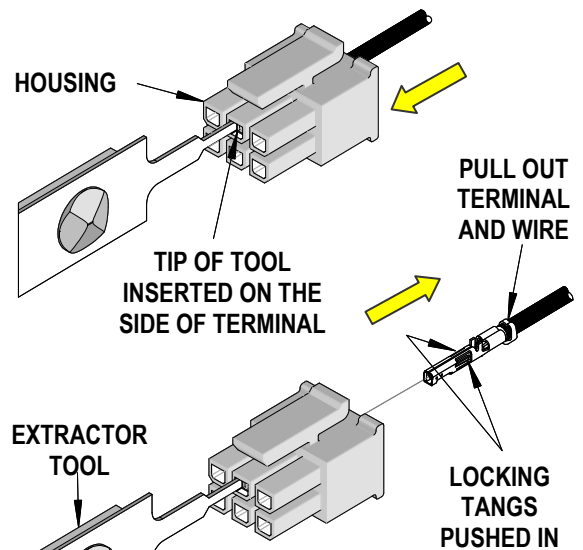


Figure 2

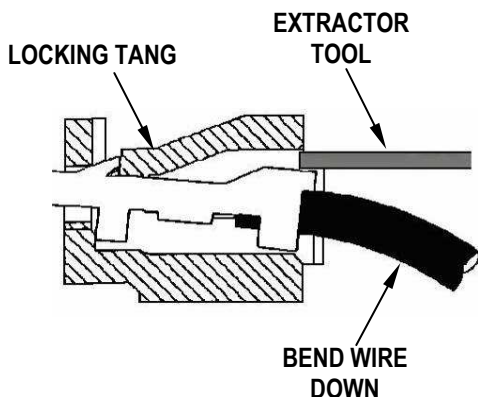
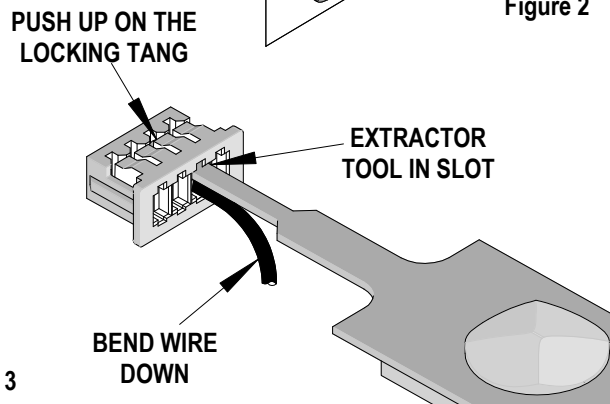


Figure 3



NOTE: When re-using the housing remember to bend back the locking tang when inserting another terminal.

For 50420 Terminal Series:

1. Push the terminal forward in the arrow direction before using the Extractor Tool.
2. Insert the tip of the Extractor Tool on an angle above the terminal into the slot on the top of the connector housing.
3. While rotating the extraction tool down, bend the terminal locking tang down and push the terminal back through the connector slot. Make sure that the terminated wire is pulled out at the same time. See Figure 5.

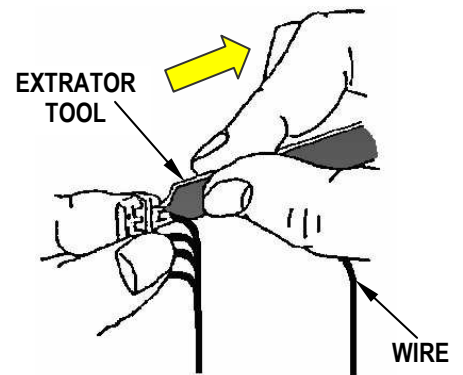


Figure 4

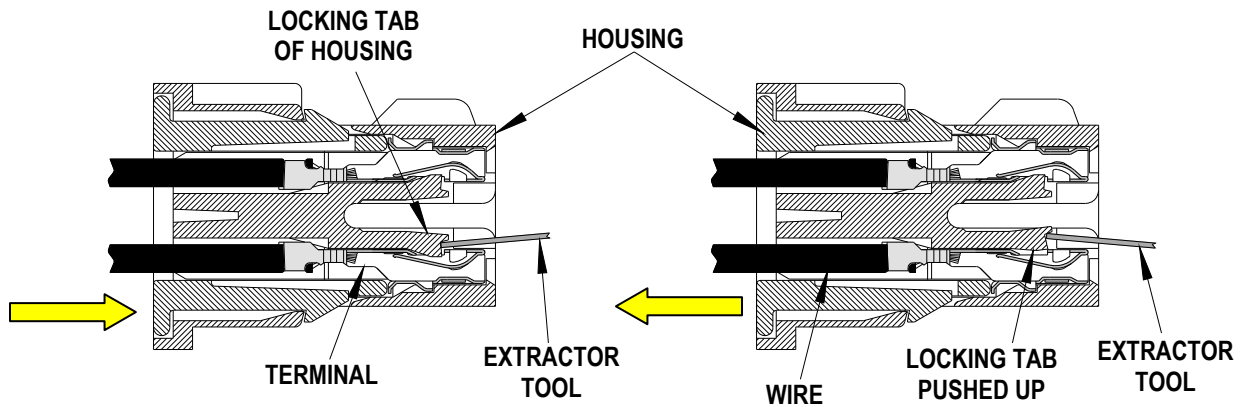


Figure 5

Molex does not offer repair parts for this Tools due to the inexpensive nature of the tool

CAUTION: Molex specifications are valid only when used with Molex terminals, applicators and tooling.

<http://www.molex.com>