



Chipsmall Limited consists of a professional team with an average of over 10 year of expertise in the distribution of electronic components. Based in Hongkong, we have already established firm and mutual-benefit business relationships with customers from,Europe,America and south Asia,supplying obsolete and hard-to-find components to meet their specific needs.

With the principle of “Quality Parts,Customers Priority,Honest Operation,and Considerate Service”,our business mainly focus on the distribution of electronic components. Line cards we deal with include Microchip,ALPS,ROHM,Xilinx,Pulse,ON,Everlight and Freescale. Main products comprise IC,Modules,Potentiometer,IC Socket,Relay,Connector.Our parts cover such applications as commercial,industrial, and automotives areas.

We are looking forward to setting up business relationship with you and hope to provide you with the best service and solution. Let us make a better world for our industry!



Contact us

Tel: +86-755-8981 8866 Fax: +86-755-8427 6832

Email & Skype: info@chipsmall.com Web: www.chipsmall.com

Address: A1208, Overseas Decoration Building, #122 Zhenhua RD., Futian, Shenzhen, China



Single Contact Candelabra Bayonet

11 SERIES

- SINGLE CONTACT CANDELABRA BAYONET GROUNDED LAMPHOLDERS
- 6" WIRE LEAD • ELECTRO-TINNED PLATED STEEL SHELL
- MAXIMUM RATING: 25 WATTS, 12 VOLTS
- UL RECOGNIZED • UL FILE E20356

Overview

The 11 Series lampholders are constructed with a electro-tinned plated steel shell with a brass center contact mounted on a phenolic insulating disc with one 6" wire lead. The brackets are grounded to the shell. Lampholders are designed for use in low voltage lamp applications with single contact candelabra bayonet lamps.

Specifications

Shell: electro-tinned plated steel.

Custom shells also available:

Single contact indexed shell: add **-DX** to end of part number. For example, **11-207** changes to **11-207-DX** for indexed shell. Shell is only available in zinc plated steel.

Brass Shell: add **-BR** to the end of a part number. For example, **11-207** changes to **11-207-BR** for brass shell.

Center contact: nickel plated brass supplied with phenolic insulating disc.

Custom contact also available.

Glass Melamine Center Contact: for outdoor environments.

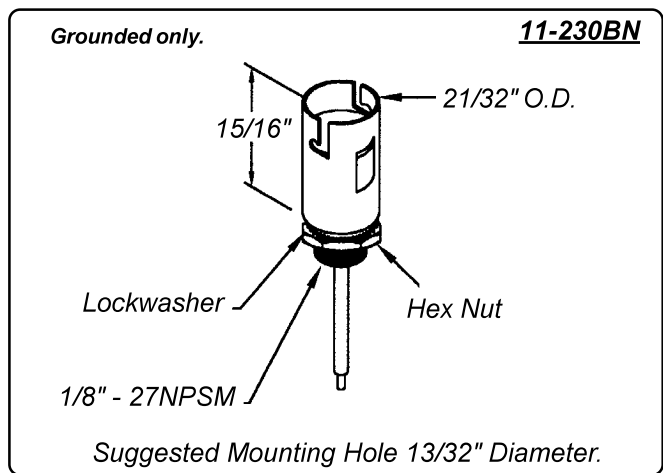
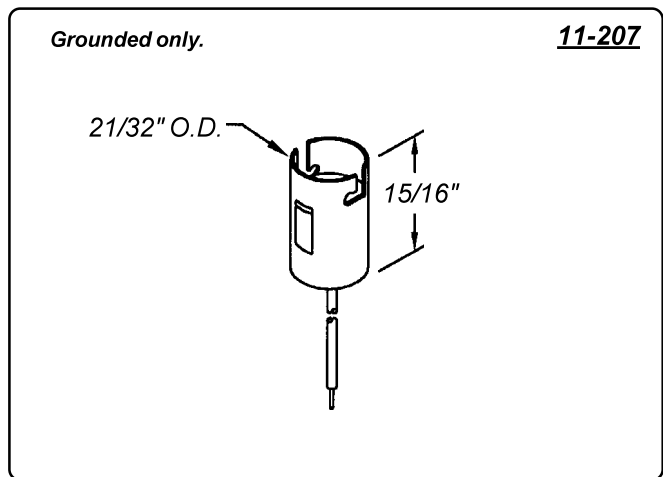
Spring: zinc plated steel. A custom stainless steel spring is also available.

Wire leads: 6" lead: #18 AWG, black, bare copper, PVC insulated, UL/CSA rated 105° C, stripped 1/2". Grounded units are supplied with one 6" wire lead. Custom wire lengths, stripping, termination and wire types are also available.

Second ground wire: White #18AWG, attached to the spring. Add **-2W** to end of part number to order.

Mounting: Brackets: 0.025" to 0.032" zinc plated steel. Custom brackets and plating types are available. **Plug button** and **threaded bushing** (supplied hex nut and lockwasher) also available.

Maximum rating: 25 Watts, 12 Volts.



Can't find it here? We have many more standard and custom solutions

For further information, phone Customer Service at 800.522.5546.

Single Contact Candelabra Bayonet

11 SERIES

UL Recognized

Maximum Rating: 25 Watts, 12 Volts

Electro-Tinned Plated Steel Shell

Grounded

6" Wire Lead

<p>11-202 Grounded only.</p>	<p>11-208 Grounded only.</p>								
<p>11-211 Grounded only.</p>	<p>11-212 Grounded only.</p>								
<p>11-215 11-218 11-282 Grounded only.</p> <p>Mounting Hole Diagram</p> <table border="1"> <thead> <tr> <th>Bracket No.</th> <th>"A" Dimension</th> </tr> </thead> <tbody> <tr> <td>-15</td> <td>1-5/32"</td> </tr> <tr> <td>-18</td> <td>1-13/32"</td> </tr> <tr> <td>-82</td> <td>15/16"</td> </tr> </tbody> </table> <p>Maximum Panel Thickness .045"</p>		Bracket No.	"A" Dimension	-15	1-5/32"	-18	1-13/32"	-82	15/16"
Bracket No.	"A" Dimension								
-15	1-5/32"								
-18	1-13/32"								
-82	15/16"								

Single Contact Candelabra Bayonet

11 SERIES

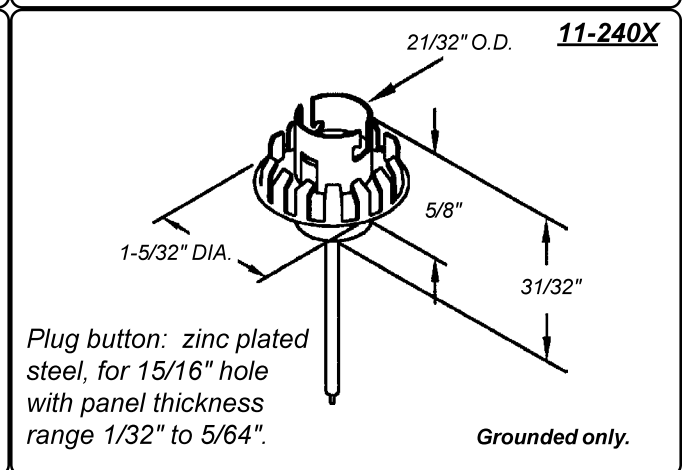
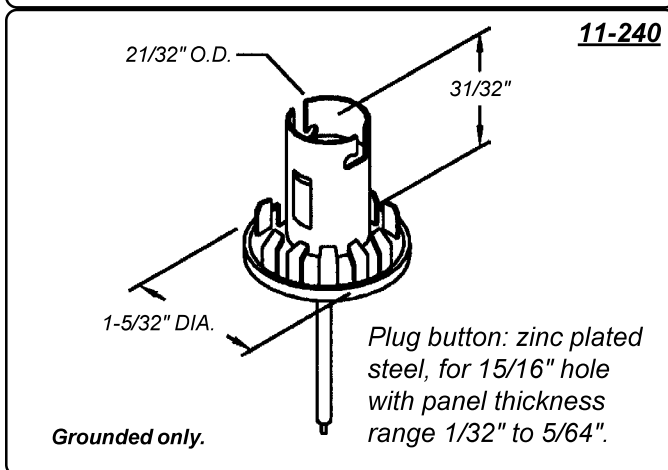
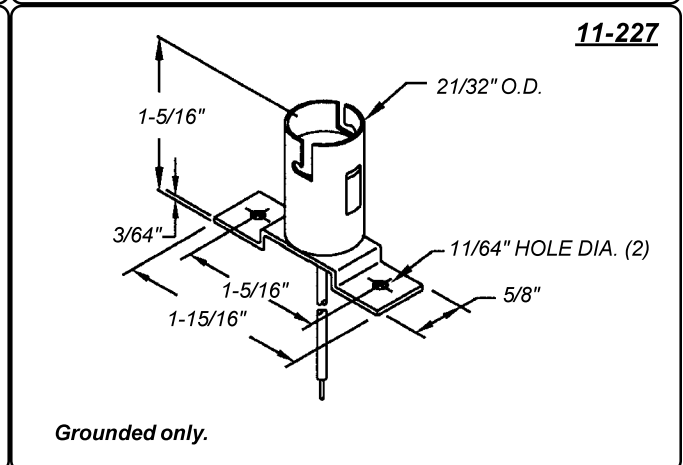
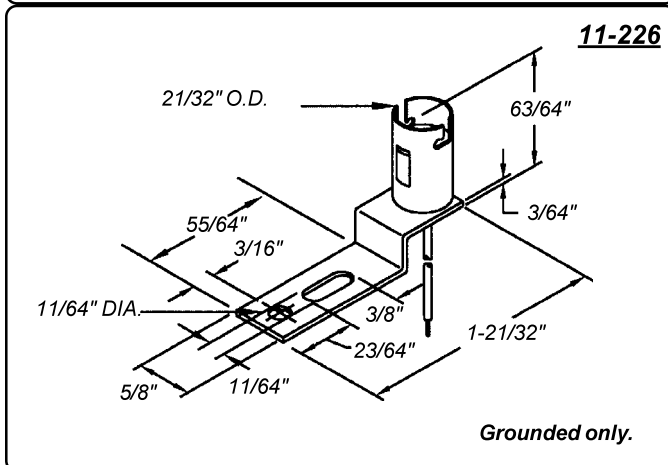
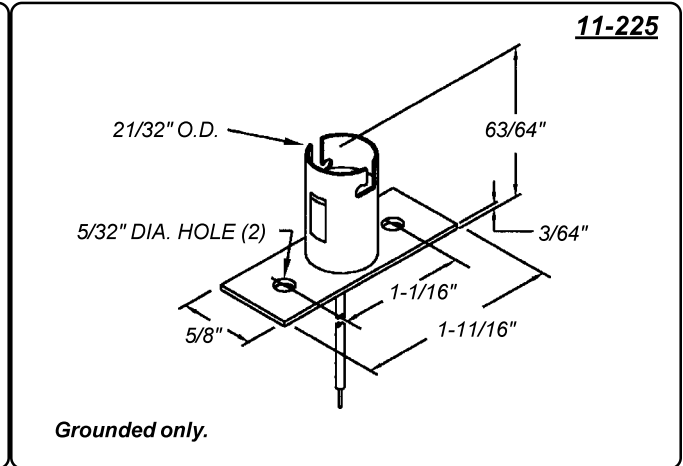
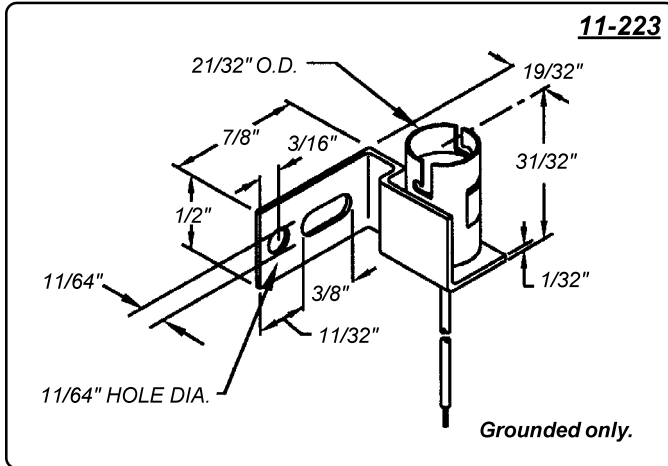
UL Recognized

Maximum Rating: 25 Watts, 12 Volts

Electro-Tinned Plated Steel Shell

Grounded

6" Wire Lead



Single Contact Candelabra Bayonet

11 SERIES

UL Recognized

Maximum Rating: 25 Watts, 12 Volts

Electro-Tinned Plated Steel Shell

Grounded

6" Wire Lead

11-240XT

Plug button: zinc plated steel, for 15/16" hole with panel thickness range 1/32" to 5/64".

Grounded only.

11-245

Grounded only.

11-255

Grounded only.

11-260

Grounded only.

11-272

For reversed bracket:
Grounded unit: **11-271.**

Grounded only.

11-275

Grounded only.