



Chipsmall Limited consists of a professional team with an average of over 10 year of expertise in the distribution of electronic components. Based in Hongkong, we have already established firm and mutual-benefit business relationships with customers from,Europe,America and south Asia,supplying obsolete and hard-to-find components to meet their specific needs.

With the principle of “Quality Parts,Customers Priority,Honest Operation,and Considerate Service”,our business mainly focus on the distribution of electronic components. Line cards we deal with include Microchip,ALPS,ROHM,Xilinx,Pulse,ON,Everlight and Freescale. Main products comprise IC,Modules,Potentiometer,IC Socket,Relay,Connector.Our parts cover such applications as commercial,industrial, and automotives areas.

We are looking forward to setting up business relationship with you and hope to provide you with the best service and solution. Let us make a better world for our industry!



Contact us

Tel: +86-755-8981 8866 Fax: +86-755-8427 6832

Email & Skype: info@chipsmall.com Web: www.chipsmall.com

Address: A1208, Overseas Decoration Building, #122 Zhenhua RD., Futian, Shenzhen, China



TK 1111 – Polystyrene and Polycarbonate – 110x110mm (4.33x4.33in.)

Standard Features

- **Protection Level:** IP66 (NEMA 4X)
- **Technical:** Smooth or Knockout Sidewalls
Gray or Tinted Transparent Cover ^①
Multiple Enclosure Mounting Options
- **Enclosure Material:** Polystyrene or Polycarbonate
- **Gasket Material:** Polyurethane
- **Color:** Light Gray
- **Temperature Range:** Polystyrene
-40°C to 70°C (-40°F to 158°F)
Polycarbonate
-35°C to 120°C (-31°F to 248°F)
- **Accessories:** See section below



Smooth Sidewalls

Ordering Information		Height mm (in)	Polystyrene				Polycarbonate			
			Cat. No.	Type	Cover Color	Std. Pk.	Cat. No.	Type	Cover Color	Std. Pk.
	Enclosure - low cover	66 mm (2.60 in)	110-404	PS 1111-7-o	gray	3	120-404	PC 1111-7-o	gray	3
	Enclosure - high cover	90 mm (3.54 in)	110-904	PS 1111-9-o	gray	3	120-904	PC 1111-9-o	gray	3
	Enclosure - low cover	66 mm (2.60 in)	111-004	PS 1111-7-to	trans.	3	130-004	PC 1111-7-to	trans.	3
	Enclosure - high cover	90 mm (3.54 in)	111-504	PS 1111-9-to	trans.	3	130-504	PC 1111-9-to	trans.	3

Sidewalls with PG Knockouts (metric available)

Ordering Information		Height mm (in)	Polystyrene				Polycarbonate			
			Cat. No.	Type	Cover Color	Std. Pk.	Cat. No.	Type	Cover Color	Std. Pk.
	Enclosure - low cover	66 mm (2.60 in)	115-404	PS 1111-7	gray	3	125-404	PC 1111-7	gray	3
	Enclosure - high cover	90 mm (3.54 in)	115-904	PS 1111-9	gray	3	125-904	PC 1111-9	gray	3
	Enclosure - low cover	66 mm (2.60 in)	116-004	PS 1111-7-t	trans.	3	135-004	PC 1111-7-t	trans.	3
	Enclosure - high cover	90 mm (3.54 in)	116-504	PS 1111-9-t	trans.	3	135-504	PC 1111-9-t	trans.	3

RK Enclosures with Terminal Blocks

Ordering Information	Height	Cat. No.	Type	Cover Color	Std. Pk.
Enclosure - 10 pole/10 AWG Terminal	66 mm (2.60 in)	609-404	RK1111	gray	3
Enclosure - 12 pole/12 AWG Terminal	66 mm (2.60 in)	610-404	RK1111	gray	3
Enclosure - DIN Rail only (TS35)	66 mm (2.60 in)	610-906	RK1111	gray	3

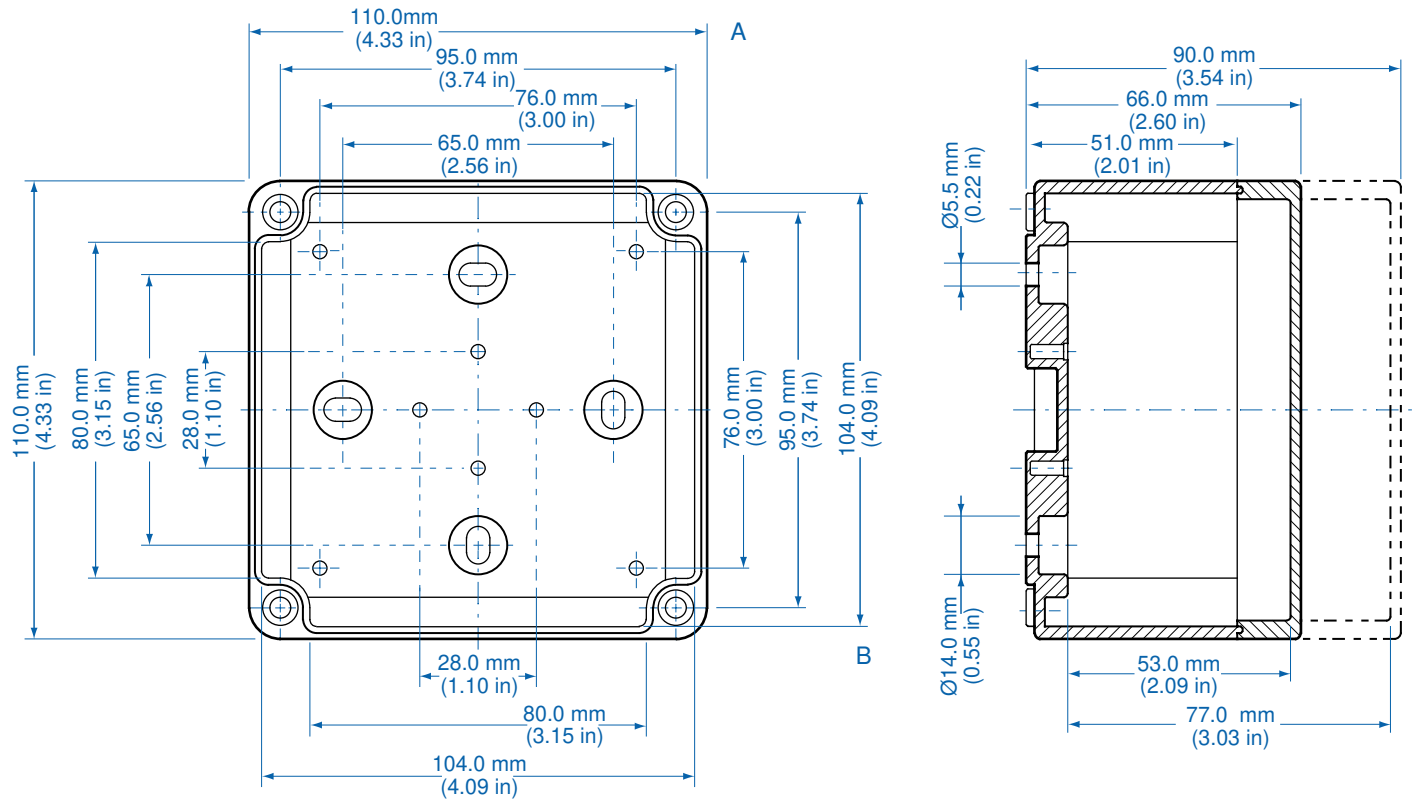
Accessories

Ordering Information	Cat. No.	Type	Std. Pk.
Mounting Plate	195-004	MP1111	1
DIN Rail TS35-81mm	Z-650	TS 35/81	1
DIN Rail TS15-92mm	Z-631	TS 15/92	1
Hinge Kit Set	190-002	HK1	1
Mounting Tab Kit	194-001	MT1	1

Please refer to pages 106-113 for additional accessories and detailed information.

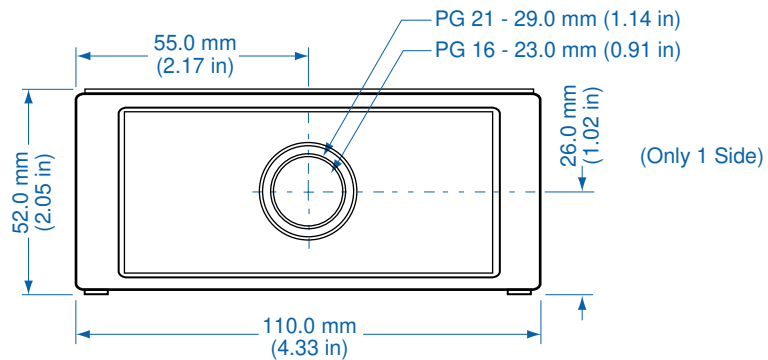
^① Clear transparent lids available upon request

Dimensions

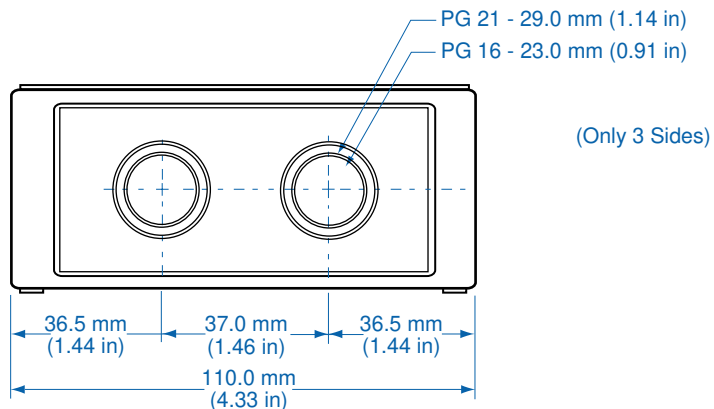


Knockout Positions ®

Side A



Side B



® Metric knockouts available upon request