



Chipsmall Limited consists of a professional team with an average of over 10 year of expertise in the distribution of electronic components. Based in Hongkong, we have already established firm and mutual-benefit business relationships with customers from,Europe,America and south Asia,supplying obsolete and hard-to-find components to meet their specific needs.

With the principle of “Quality Parts,Customers Priority,Honest Operation,and Considerate Service”,our business mainly focus on the distribution of electronic components. Line cards we deal with include Microchip,ALPS,ROHM,Xilinx,Pulse,ON,Everlight and Freescale. Main products comprise IC,Modules,Potentiometer,IC Socket,Relay,Connector.Our parts cover such applications as commercial,industrial, and automotives areas.

We are looking forward to setting up business relationship with you and hope to provide you with the best service and solution. Let us make a better world for our industry!



Contact us

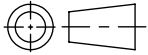
Tel: +86-755-8981 8866 Fax: +86-755-8427 6832

Email & Skype: info@chipsmall.com Web: www.chipsmall.com

Address: A1208, Overseas Decoration Building, #122 Zhenhua RD., Futian, Shenzhen, China



SW2011



Revision level		Revision Record	Changed	Date	Approved	Date
Drawing	Part					
05	-	SEE ECN# 300087	TJM	04/03/2013	TJM	04/03/2013

REPLACEMENT PARTS

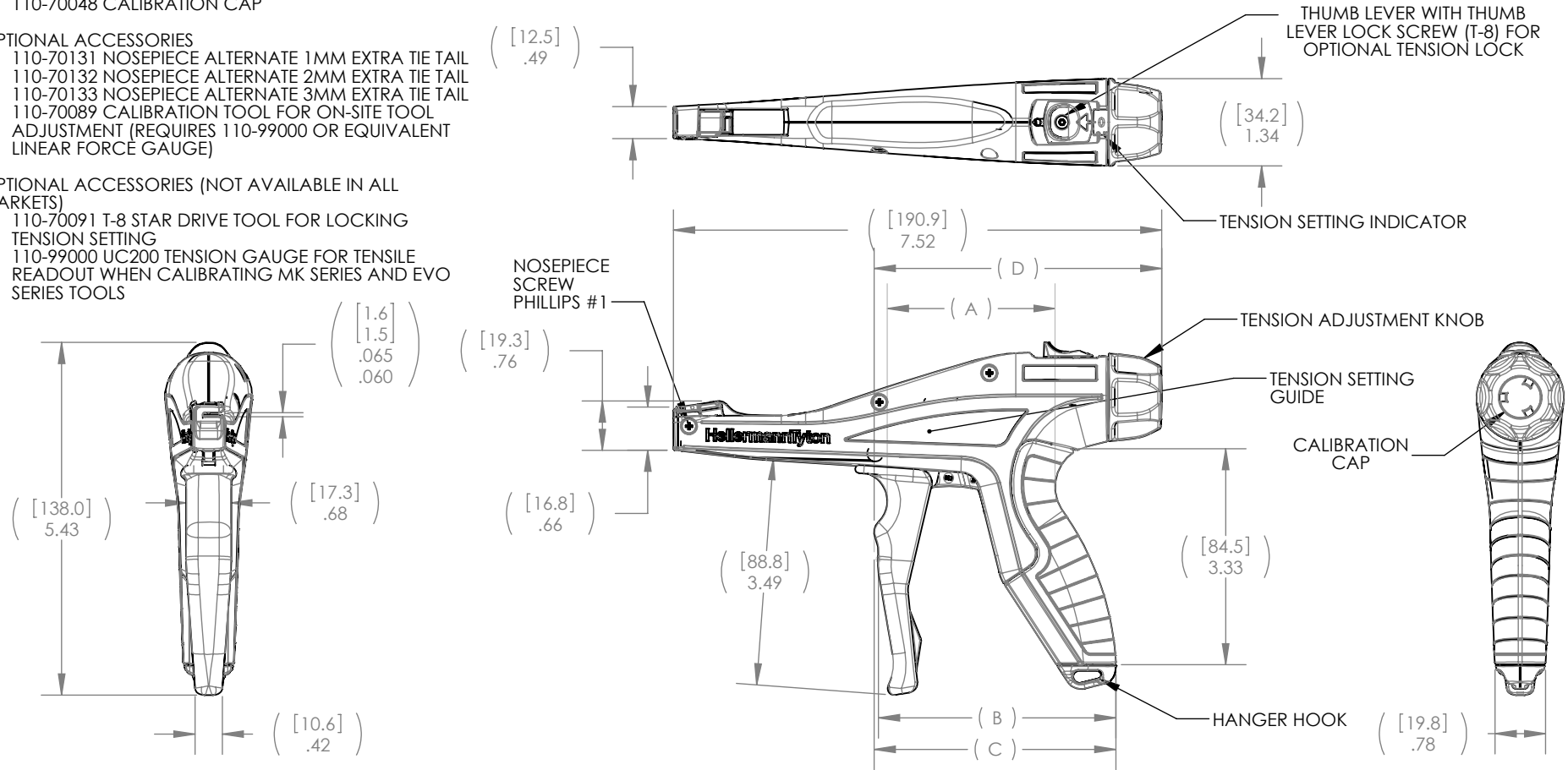
- 110-70106 BLADE KIT FOR EVO7 SERIES (INCLUDES BLADE AND NOSEPIECE SCREW)
- 110-70048 CALIBRATION CAP

OPTIONAL ACCESSORIES

- 110-70131 NOSEPIECE ALTERNATE 1MM EXTRA TIE TAIL
- 110-70132 NOSEPIECE ALTERNATE 2MM EXTRA TIE TAIL
- 110-70133 NOSEPIECE ALTERNATE 3MM EXTRA TIE TAIL
- 110-70089 CALIBRATION TOOL FOR ON-SITE TOOL ADJUSTMENT (REQUIRES 110-99000 OR EQUIVALENT LINEAR FORCE GAUGE)

OPTIONAL ACCESSORIES (NOT AVAILABLE IN ALL MARKETS)

- 110-70091 T-8 STAR DRIVE TOOL FOR LOCKING TENSION SETTING
- 110-99000 UC200 TENSION GAUGE FOR TENSILE READOUT WHEN CALIBRATING MK SERIES AND EVO SERIES TOOLS



UNS #	TYPE	HAND SPAN	LABEL COLOR	PACKAGING	DIM "A"	DIM "B"	DIM "C"	DIM "D"
110-70083	EVO7	STANDARD	BLACK	US	2.6 [66]	3.7 [93]	3.7 [95]	4.4 [112]
110-70084	EVO7SP	SHORT	MAROON	US	2.5 [63]	3.5 [88]	3.6 [90]	4.3 [108]
110-70129	EVO7	STANDARD	BLACK	EUROPEAN	2.6 [66]	3.7 [93]	3.7 [95]	4.4 [112]
110-70130	EVO7SP	SHORT	MAROON	EUROPEAN	2.5 [63]	3.5 [88]	3.6 [90]	4.3 [108]

Material
RoHS COMPLIANT

Units: inches
Dimension without tolerances details to:
.xxxx = ±.0005
.xxx = ±.005
.xx = ±.01
.x = ±.03
None = ±.06
∠ = ±0.5°
Dimension Formatted in [mm]

The copyright of this drawing is reserved by HellermannTyton. It is issued on condition that it is not reproduced, copied, or disclosed to a third party, either wholly or in part, without the consent of HellermannTyton.

Drawn	TJM	04/03/2013
Approved	TJM	04/03/2013
HellermannTyton		
North America Email: corp@htamericas.com Web: www.hellermann.tyton.com		

Article/Type-No	SEE CHART	Scale	2:5
Title	EVO7 FINAL ASSEMBLY	Project Number	PRP 07-022
Drawing-No	07-022-295-CSU	Production : Phase	Format AH
			Sheet 1/1