



Chipsmall Limited consists of a professional team with an average of over 10 year of expertise in the distribution of electronic components. Based in Hongkong, we have already established firm and mutual-benefit business relationships with customers from,Europe,America and south Asia,supplying obsolete and hard-to-find components to meet their specific needs.

With the principle of “Quality Parts,Customers Priority,Honest Operation,and Considerate Service”,our business mainly focus on the distribution of electronic components. Line cards we deal with include Microchip,ALPS,ROHM,Xilinx,Pulse,ON,Everlight and Freescale. Main products comprise IC,Modules,Potentiometer,IC Socket,Relay,Connector.Our parts cover such applications as commercial,industrial, and automotives areas.

We are looking forward to setting up business relationship with you and hope to provide you with the best service and solution. Let us make a better world for our industry!



## Contact us

Tel: +86-755-8981 8866 Fax: +86-755-8427 6832

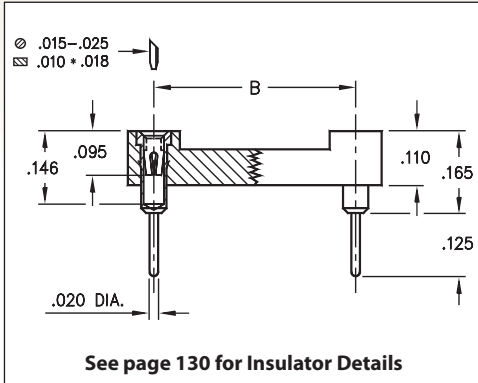
Email & Skype: info@chipsmall.com Web: www.chipsmall.com

Address: A1208, Overseas Decoration Building, #122 Zhenhua RD., Futian, Shenzhen, China

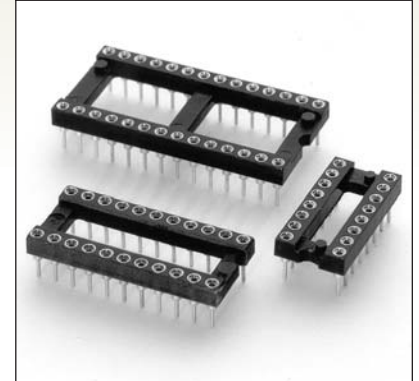


# DUAL-IN-LINE SOCKETS

## SERIES 110...001 • STANDARD SOLDER TAIL • OPEN FRAME



- All DIP sockets accept .015" - .025" diameter and standard IC leads
- Hi-Rel, 4-finger BeCu #30 contact is rated at 3 amps. See page 253 for details
- Series 110 uses MM #1001 pins. See page 165 for details
- Insulators are high temperature thermoplastic, suitable for all soldering operations
- For Electrical, Mechanical and Environmental Data, see page 264 for details



Total number of pins	Pin Spacing (mm)			Quantity per tube	ORDERING INFORMATION								
	A	B	C										
10	0.5	0.2	0.3	40	110-XX-210-41-001000								
4	0.2	0.3	0.4	102	110-XX-304-41-001000								
6	0.3	0.3	0.4	67	110-XX-306-41-001000								
8	0.4	0.3	0.4	50	110-XX-308-41-001000								
10	0.5	0.3	0.4	40	110-XX-310-41-001000								
14	0.7	0.3	0.4	28	110-XX-314-41-001000								
16	0.8	0.3	0.4	25	110-XX-316-41-001000								
18	0.9	0.3	0.4	22	110-XX-318-41-001000								
20	1.0	0.3	0.4	20	110-XX-320-41-001000								
22	1.1	0.3	0.4	18	110-XX-322-41-001000								
24	1.2	0.3	0.4	16	110-XX-324-41-001000								
28	1.4	0.3	0.4	14	110-XX-328-41-001000								
20	1.0	0.4	0.5	20	110-XX-420-41-001000								
22	1.1	0.4	0.5	18	110-XX-422-41-001000								
24	1.2	0.4	0.5	16	110-XX-424-41-001000								
28	1.4	0.4	0.5	14	110-XX-428-41-001000								
32	1.6	0.4	0.5	12	110-XX-432-41-001000								
24	1.2	0.6	0.7	16	110-XX-624-41-001000								
28	1.4	0.6	0.7	14	110-XX-628-41-001000								
32	1.6	0.6	0.7	12	110-XX-632-41-001000								
36	1.8	0.6	0.7	11	110-XX-636-41-001000								
40	2.0	0.6	0.7	10	110-XX-640-41-001000								
42	2.1	0.6	0.7	9	110-XX-642-41-001000								
48	2.4	0.6	0.7	8	110-XX-648-41-001000								
50	2.5	0.6	0.7	8	110-XX-650-41-001000								
52	2.6	0.6	0.7	7	110-XX-652-41-001000								
50	2.5	0.9	1.0	8	110-XX-950-41-001000								
52	2.6	0.9	1.0	7	110-XX-952-41-001000								
64	3.2	0.9	1.0	6	110-XX-964-41-001000								
<div style="border: 1px solid black; border-radius: 50%; padding: 5px; display: inline-block;"> <b>XX=Plating Code See Below</b> </div>					<div style="border: 1px solid black; padding: 5px; display: inline-block;"> <b>RoHS-2 2011/65/EU</b> </div>								
<b>SPECIFY PLATING CODE XX =</b>					11	13	91	93	99	41	43	44	
Sleeve (Pin)					10 μ" Au	10 μ" Au	200 μ" Sn/Pb	200 μ" Sn/Pb	200 μ" Sn/Pb	200 μ" Sn	200 μ" Sn	200 μ" Sn	
Contact (Clip)					10 μ" Au	30 μ" Au	10 μ" Au	30 μ" Au	100 μ" Sn/Pb	10 μ" Au	30 μ" Au	100 μ" Sn	