



Chipsmall Limited consists of a professional team with an average of over 10 year of expertise in the distribution of electronic components. Based in Hongkong, we have already established firm and mutual-benefit business relationships with customers from,Europe,America and south Asia,supplying obsolete and hard-to-find components to meet their specific needs.

With the principle of “Quality Parts,Customers Priority,Honest Operation,and Considerate Service”,our business mainly focus on the distribution of electronic components. Line cards we deal with include Microchip,ALPS,ROHM,Xilinx,Pulse,ON,Everlight and Freescale. Main products comprise IC,Modules,Potentiometer,IC Socket,Relay,Connector.Our parts cover such applications as commercial,industrial, and automotives areas.

We are looking forward to setting up business relationship with you and hope to provide you with the best service and solution. Let us make a better world for our industry!



Contact us

Tel: +86-755-8981 8866 Fax: +86-755-8427 6832

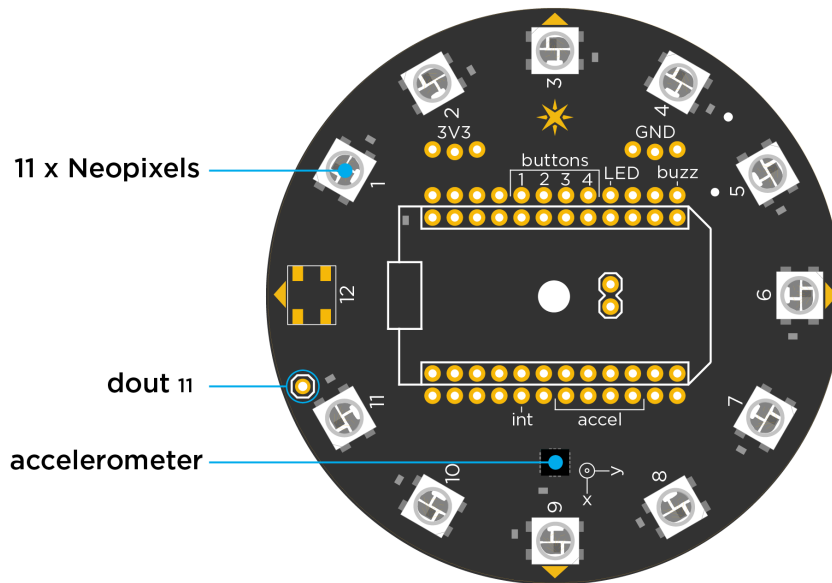
Email & Skype: info@chipsmall.com Web: www.chipsmall.com

Address: A1208, Overseas Decoration Building, #122 Zhenhua RD., Futian, Shenzhen, China



INTERNET BUTTON

The Internet Button is not only an easy way to get started on the Internet of Things, it's also a clean and simple way to start building your own prototypes. Quickly start playing with LEDs, multiple buttons, an accelerometer and more without any wires or soldering.



SPECIFICATIONS:

- Operating voltage: USB or External DC of 3.6 to 6VDC
- Dimensions: 2.6" x 2.6"
- 11 individually controllable RGB LEDs
- ADXL362 3-axis accelerometer
- 4 tactile buttons for D-pad style interactions
- Female socket for connection to a Particle device
- Additional female headers for adding extra actuators and sensors
- Backward compatible with the Core