



Chipsmall Limited consists of a professional team with an average of over 10 year of expertise in the distribution of electronic components. Based in Hongkong, we have already established firm and mutual-benefit business relationships with customers from,Europe,America and south Asia,supplying obsolete and hard-to-find components to meet their specific needs.

With the principle of "Quality Parts,Customers Priority,Honest Operation,and Considerate Service",our business mainly focus on the distribution of electronic components. Line cards we deal with include Microchip,ALPS,ROHM,Xilinx,Pulse,ON,Everlight and Freescale. Main products comprise IC,Modules,Potentiometer,IC Socket,Relay,Connector.Our parts cover such applications as commercial,industrial, and automotives areas.

We are looking forward to setting up business relationship with you and hope to provide you with the best service and solution. Let us make a better world for our industry!



Contact us

Tel: +86-755-8981 8866 Fax: +86-755-8427 6832

Email & Skype: info@chipsmall.com Web: www.chipsmall.com

Address: A1208, Overseas Decoration Building, #122 Zhenhua RD., Futian, Shenzhen, China



微型直流减速电机仕様规格书

产品型号：GM25-370-2765-35-12D8

1. 标准使用条件 (Standard Operating Conditions)

NO.	項目 (Item)	規格 (Specification)	检验方法 (Test Method)
1.1	额定电压 (Rated Voltage)	DC 6.0V	电压表 (Multimeter)
1.2	速比 (Gear Ratio)	1/35	
1.3	马达转向 (Rotation)	CW	手感 (Handle)
1.4	姿势 (Motor Position)	检查时水平 (All position in horizontal)	手感 (Handle)
1.5	检测时时温度范围 Temperature	0 Degree - 30 Degree Celsius	温度计 (Thermometer)
1.6	检测时时湿度范围 Humidity	30% ~ 95%	湿度计 (Hygroscope)

2. 电机性能 (Performance Of Motors)

NO.	項目 (Item)	規格 (Specification)	检验方法 (Test Method)
2.1	空载转速 (No-load Speed)	10500±10%rpm	转速表 (Flash Speed Indicator)
2.2	空载电流 (No-load Current)	150mA(Max)	电流表 (DC Power Supply)
2.3	堵转电流 (Stall Current)	5300mA(Max)	电流表 (DC Power Supply)
2.4	堵转力矩 (Stall Torque)	200g.cm	扭力计 (Torque Measure)

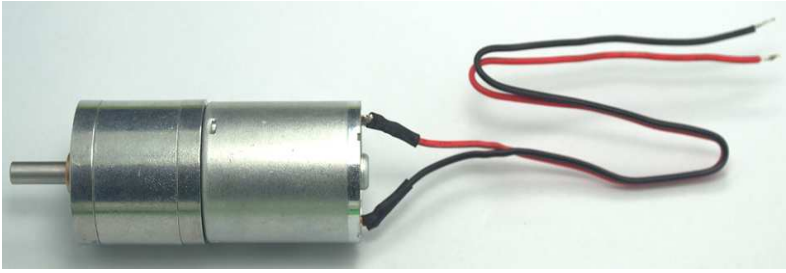
3. 整机性能 (Performance of Gear motors)

NO.	項目 (Item)	規格 (Specification)	检验方法 (Test Method)
3.1	输出转速 (Output Speed)	310±10%rpm	转速表 (Flash Speed Indicator)
3.2	空载电流 (No-load Current)	250mA(Max)	电流表 (DC Power Supply)
3.3	堵转电流 (Stall Current)	5300mA(Max)	电流表 (DC Power Supply)
3.4	堵转力矩 (Stall Torque)	7kg.cm	扭力计 (Torque Measure)
3.5	负载力矩 (Rated Torque)	1000g.cm	扭力计 (Torque Measure)
3.6	负载电流 (Rated Current)	950mA(Max)	电流表 (DC Power Supply)
3.7	负载转速 (Rated Speed)	250±10%rpm	转速表 (Flash Speed Indicator)
3.8	噪音 30CM (Noise)	56dB	分贝仪 (Digital Sound Lev d Meter)

4. 基本尺寸 (The Dimension)

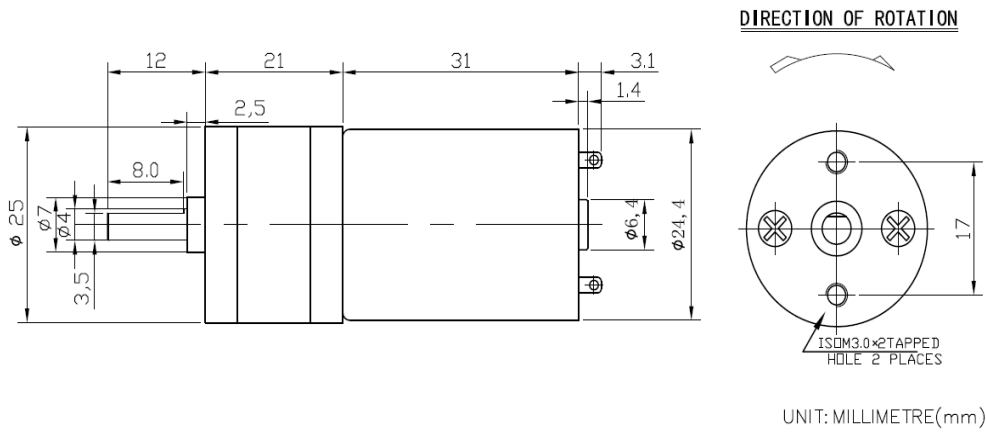
NO.	項目 (Item)	規格 (Specification)	检验方法 (Test Method)
4.1	轴伸尺寸 (The Outside Shaft Length)	12mm	卡尺 (Vernier Calipers)
4.2	轴向间隙 (Shaft End Play)	0.05-0.50mm	治具 (Frock)
4.3	螺孔 (Screw Size)	M3.0	治具 (Frock)
4.4	出轴直径 (Dia.of shaft)	φ4mmD8	卡尺 (Vernier Calipers)
4.5	外形安装尺寸 (Outline Mounting Dimension)	Refer to the Outline Drawing	

5. 产品照片 (The product photos)



电机端子焊 200mm引线 , 22AWG线
引线剥头3~5mm , 并浸锡
焊接位置加热塑管

6. 产品外形图 (Product drawings)



7. 曲线图 (Curve drawings)

