



Chipsmall Limited consists of a professional team with an average of over 10 year of expertise in the distribution of electronic components. Based in Hongkong, we have already established firm and mutual-benefit business relationships with customers from,Europe,America and south Asia,supplying obsolete and hard-to-find components to meet their specific needs.

With the principle of "Quality Parts,Customers Priority,Honest Operation,and Considerate Service",our business mainly focus on the distribution of electronic components. Line cards we deal with include Microchip,ALPS,ROHM,Xilinx,Pulse,ON,Everlight and Freescale. Main products comprise IC,Modules,Potentiometer,IC Socket,Relay,Connector.Our parts cover such applications as commercial,industrial, and automotives areas.

We are looking forward to setting up business relationship with you and hope to provide you with the best service and solution. Let us make a better world for our industry!



## Contact us

Tel: +86-755-8981 8866 Fax: +86-755-8427 6832

Email & Skype: info@chipsmall.com Web: www.chipsmall.com

Address: A1208, Overseas Decoration Building, #122 Zhenhua RD., Futian, Shenzhen, China



THIS DRAWING IS UNPUBLISHED  
VERTRAULICHE UNVERÖFFENTLICHUNG

RELEASE FOR PUBLIKATION  
FREI FUER VERÖFFENTLICHUNG

MATED WITH:  
PASSEND ZU:  
1102076

LOC AI  
DIST -

REVISIONS  
ÄNDERUNGEN

© COPYRIGHT 2000

BY AMP INCORPORATED

ALL RIGHTS RESERVED  
ALLE RECHTE VORBEHALTEN

PROJEKT NR.  
EGGMN04419

D1

DESCRIPTION  
NEW CSL LOGO ADDED

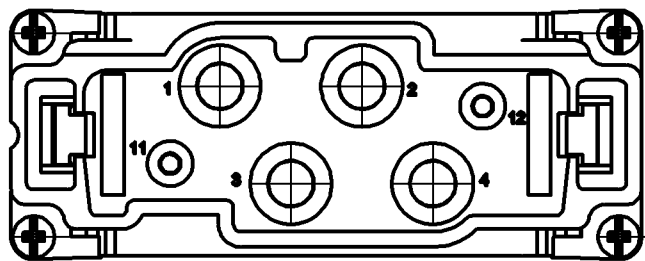
ECR-08-020094

DATE  
11.08.2008

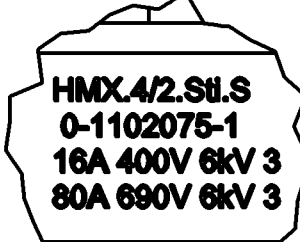
DWN  
SR

APVD  
ST

### CONTACT ARRANGEMENT VIEW FROM CONECTING SIDE

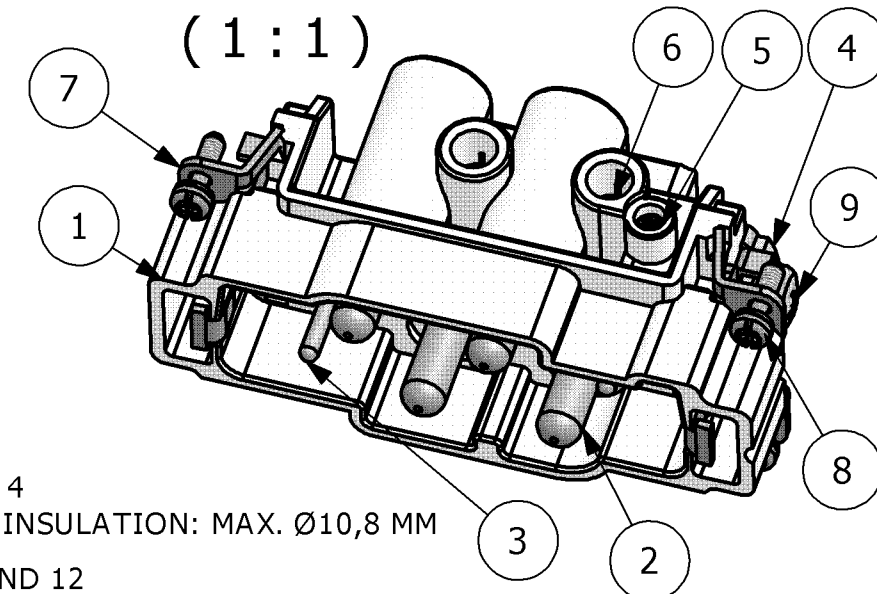


### A (2:1)



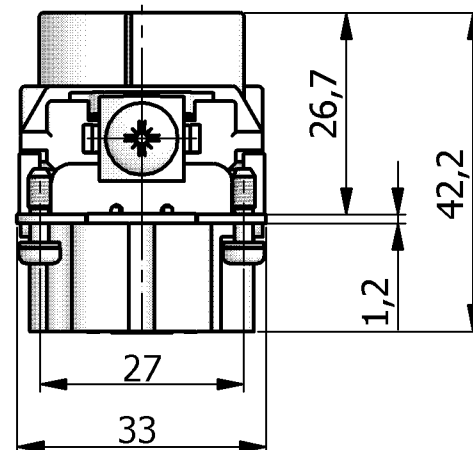
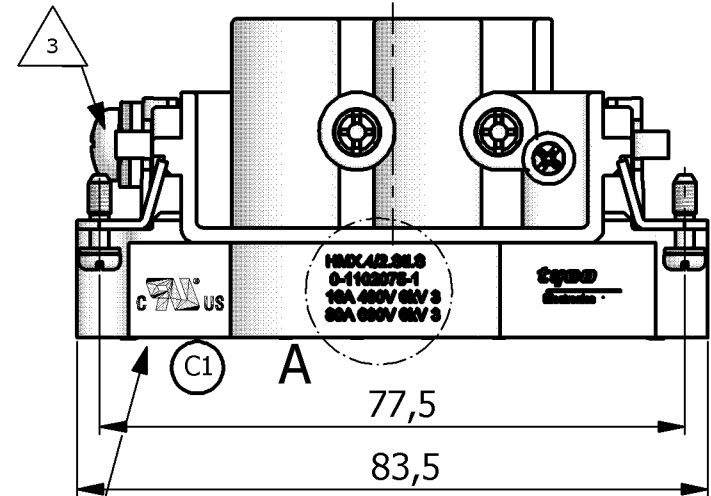
0-1 AS SHOWN  
ORDERING TEXT: HMX.4/2.STI.S

### (1:1)

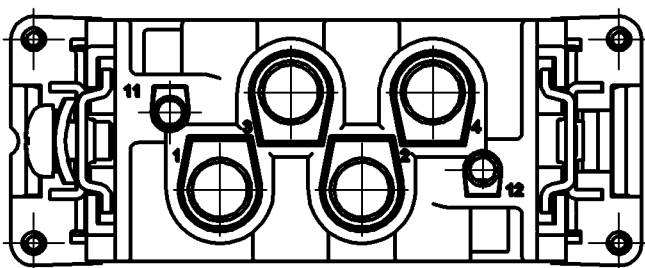


### NOTES

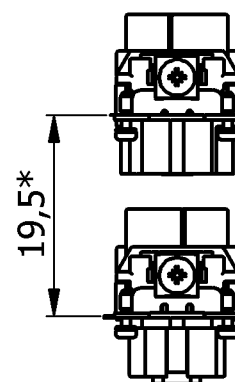
- 1 POWER CONTACT: 1 TO 4  
OUTER DIMENSIONS OF INSULATION: MAX. Ø10,8 MM
- 2 SIGNAL CONTACT: 11 AND 12  
OUTER DIMENSIONS OF INSULATION: MAX. Ø4,8 MM
- 3 GROUNDING CONTACT
- 4 SUITABLE HOOD SIZE 6: SERIES HB; HD; EMV AND HIP
- 5 STANDARDS:  
DIN EN 61984; DIN EN 60664-1
- 6 UL; CSA AUTHORISATION
- 7 PACKAGING:  
5 PIECES IN A CARTON



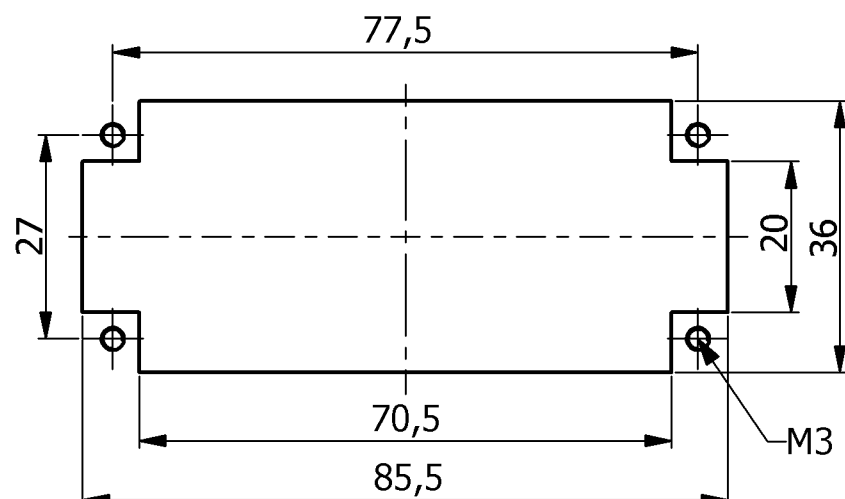
### CONTACT ARRANGEMENT VIEW FROM TERMINATION SIDE



\* DISTANCE FOR GUARANTEED  
CONTACT MAX. 21 mm



### PANET CUT-OUT CONTACT INSERT WHEN USED WITHOUT HOUSING



QTY.	DESCRIPTION	MATERIAL	SURFACE	COLOR	NOTE	ITEM
1	SCREW	STEEL	NICKEL PLATED	BLUE	DIN EN ISO 1207-M5X8	9
4	FIXING SCREW	STEEL	NICKEL PLATED	BLUE	M3X10,5	8
2	PIN GROUNDING CONTACT	BRASS	NICKEL PLATED	BLUE	-	7
4	THREAD PIN	STEEL	NICKEL PLATED	BLUE	-	6
2	CONTACT SCREW	STEEL	NICKEL PLATED	BLUE	M3X5,7	5
1	CLAMP TAB	STEEL	NICKEL PLATED	BLUE	---	4
2	CONTACT PIN	BRASS	SILVER PLATED	BLUE	-	3
4	PIN CONTACT	BRASS	SILVER PLATED	BLUE	-	2
1	MALE INSERT	PBT-GF30	-	LIGHT GREY	-	1

### PARTS LIST

THIS DRAWING IS A CONTROLLED DOCUMENT FOR AMP INCORPORATED. IT IS SUBJECT TO CHANGE AND THE CONTROLLING ENGINEERING ORGANIZATION SHOULD BE CONTACTED FOR THE LATEST REVISION. DIESSES ZEICHNUNGSDOKUMENT WIRD DURCH AMP INCORPORATED KONTROLLIERT. ÄNDERUNGEN, DIE DEN TECHNISCHEN FORTSCHRITT DIENEN, SIND VORBEHALTEN. DEN JEWELTS LETZTIGUELTFIGEN ÄNDERUNGSSTAND ERFAHREN SIE AUF ANFRAGE.		DWN 12.07.2005	<b>tyco</b> Electronics		Tyco / Electronics AMP GmbH D - 53819 Neunkirchen	
DIMENSIONS: DIMENSIONEN: mm		CHK 12.07.2005				
TOLERANCES UNLESS OTHERWISE SPECIFIED: ALLGEMEINTOLERANZEN		T. SCHNURPFEIL		NAME		
n. ISO 8015 - n. ISO 2768 - mH-E n. DIN 16901- 140		APVD -		MALE INSERT HMX.4/2.STI.S		
0 PLC # 1 PLC # 2 PLC # 3 PLC # ANGLES / WINKEL #		PRODUCT SPEC. PRODUKTSPEZ.		SIZE		
MATERIAL		APPLICATION SPEC. VERARBEITUNGSSPEZ.		CAGE CODE		DRAWING NO ZEICHNUNGS-NR.
FINISH / OBERFLÄCHE / FARBE		WEIGHT GEWICHT		DRAWING NO 114-74058		RESTRICTED TO NUR FUER
		CUSTOMER DRAWING / KUNDENZEICHNUNG		SCALE MASSSTAB 1:1		SHEET BLATT 1 OF VON 1 REV. D1