



Chipsmall Limited consists of a professional team with an average of over 10 year of expertise in the distribution of electronic components. Based in Hongkong, we have already established firm and mutual-benefit business relationships with customers from,Europe,America and south Asia,supplying obsolete and hard-to-find components to meet their specific needs.

With the principle of "Quality Parts,Customers Priority,Honest Operation,and Considerate Service",our business mainly focus on the distribution of electronic components. Line cards we deal with include Microchip,ALPS,ROHM,Xilinx,Pulse,ON,Everlight and Freescale. Main products comprise IC,Modules,Potentiometer,IC Socket,Relay,Connector.Our parts cover such applications as commercial,industrial, and automotives areas.

We are looking forward to setting up business relationship with you and hope to provide you with the best service and solution. Let us make a better world for our industry!



Contact us

Tel: +86-755-8981 8866 Fax: +86-755-8427 6832

Email & Skype: info@chipsmall.com Web: www.chipsmall.com

Address: A1208, Overseas Decoration Building, #122 Zhenhua RD., Futian, Shenzhen, China



4

3

2

1

THIS DRAWING IS UNPUBLISHED
VERTRAULICHE UNVERÖFFENTLICHE ZEICHNUNG

RELEASE FOR PUBLIKATION
FREI FUER VERÖFFENTLICHUNG

MATED WITH:
PASSEND ZU:

LOC
AI

DIST
-

REVISIONS
ÄNDERUNGEN

© COPYRIGHT 2000

BY AMP INCORPORATED

ALL RIGHTS RESERVED
ALLE RECHTE VORBEHALTEN

BG5

P

LTR

DESCRIPTION
BESCHREIBUNG

DATE

DWN

APVD

PROJEKT NR.
EGGMA05416

B1

AS PER ECR-06-006735

3/20/2006

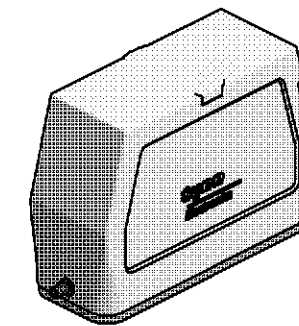
PB

ST

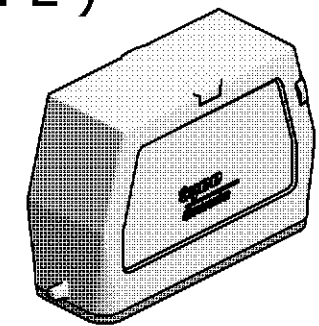
NOTES

- 1 PACKAGING QUANTITY: 5 PIECES PER BOX
- 2 MATERIAL: HOUSING: ALUMINIUM DIECASTING ALLOY
SEALS: NEOPRENE
- 3 SURFACE: ALUMINIUM OXIDE + VARNISH BLACK
-GREY / BLACK / WITHOUT VARNISH
- 4 VARNISH ON THE INSIDE NOT NECESSARY

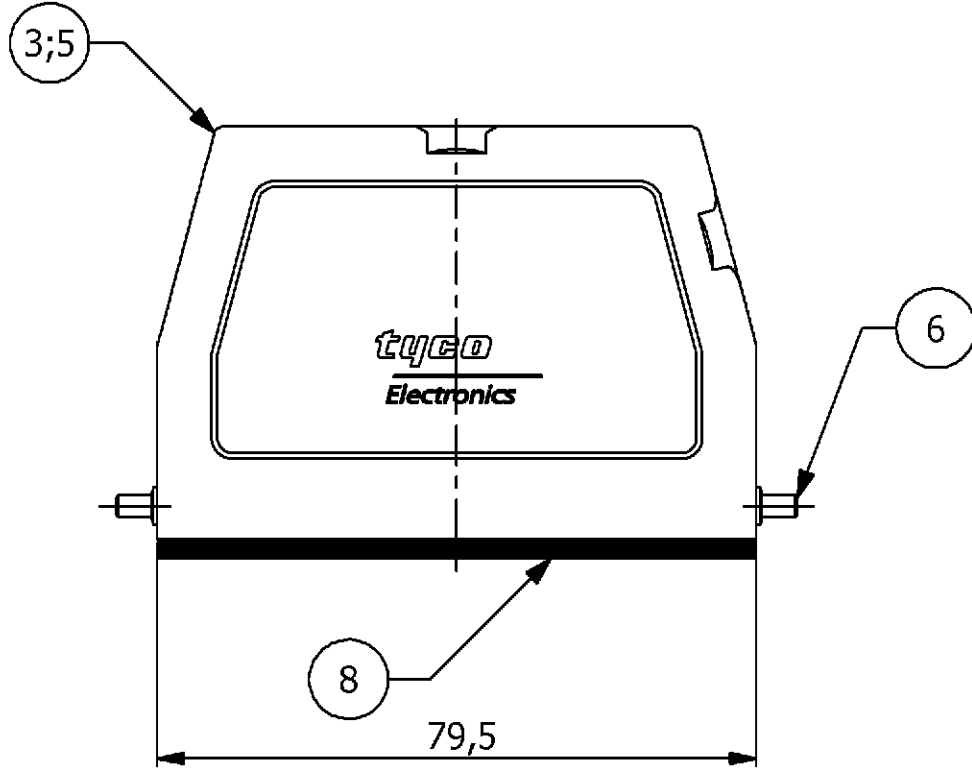
(1:2)



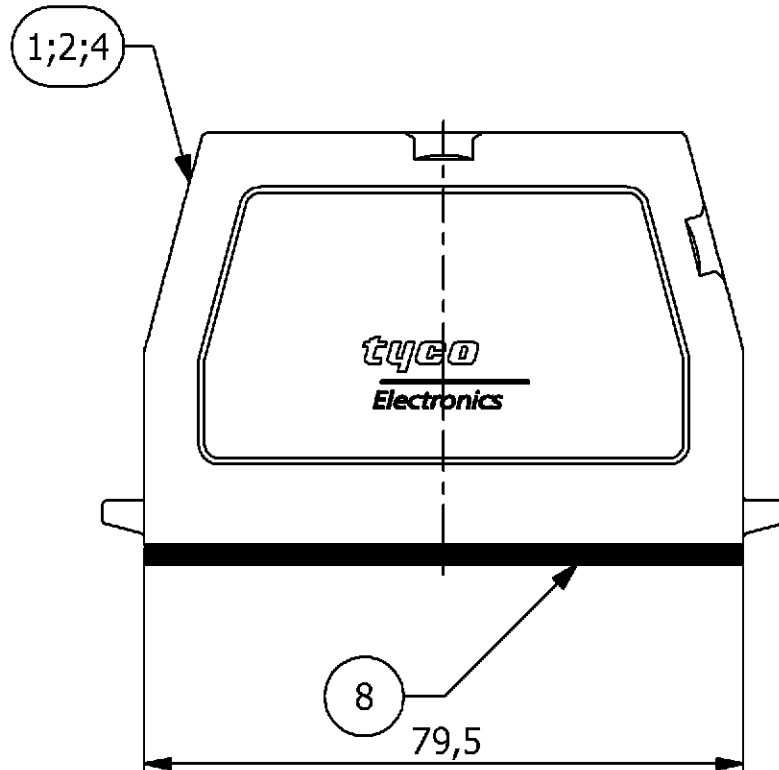
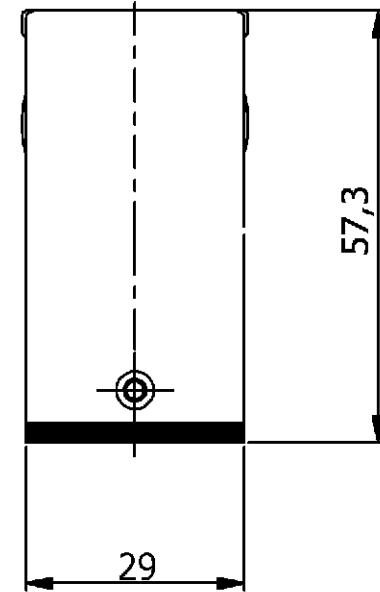
PN 0-3 & 2-7



PN 0-1,0-2 & 1-7



PN 0-3 & 2-7 as shown



PN 0-1,0-2 & 1-7 as shown

2-7	1-7	0-3	0-2	0-1	DESCRIPTION	MATERIAL	SURFACE	COLOR	ITEM NO.	REMARKS
1	1	1	1	1	Profile Seal	Neoprene	-	Black	7	Bg5
2	-	2	-	-	Clip Bolt	V2A / Steel	Blank / Even	-	6	-
1	-	-	-	-	HA Hood	Aluminium	Aluminium oxide	Black	5	Pg16
-	1	-	-	-	HA Hood	Aluminium	-	Grey	4	Pg16
-	-	1	-	-	HA Hood	Aluminium	-	No Varnish	3	Pg16
-	-	-	1	-	HA Hood	Aluminium	-	Black	2	Pg16
-	-	-	-	1	HA Hood	Aluminium	-	Grey	1	Without Pg Hole
ORDERING TEXT										
HA.16.ST										
HA.16.STS.1.16.G										
HA.16.STS.1.16.G										
HA.16.STS.1.16.G										
HA-K.16.STS.1.16.G										

DIMENSIONS: DIMENSIONEN: mm		TOLERANCES UNLESS OTHERWISE SPECIFIED: ALLGEMEINTOLERANZEN	
		n. ISO 8015 - n. ISO 2768 - mH-E n. DIN 16901- 140 0 PLC # 1 PLC # 2 PLC # 3 PLC # ANGLES / WINKEL #	
MATERIAL		FINISH / OBERFLÄCHE / FARBE	
2		3	

DWN	P.BENNUR	2/24/2006
CHK	R.SRINIVAS	2/24/2006
APVD	T.SCHNURPFEL	2/24/2006
PRODUCT SPEC. PRODUKTSPEZ.	108-74009	
APPLICATION SPEC. VERARBEITUNGSSPEZ.	114-74001	
WEIGHT GEWICHT	-	

tyco Electronics		Tyco / Electronics AMP GmbH D - 53819 Neunkirchen	
NAME HOOD HA.16.STS.1.16.G			
SIZE	CAGE CODE	DRAWING NO. ZEICHNUNGS-NR.	RESTRICTED TO NUR FUER
A3	00779	1102136	
CUSTOMER DRAWING / KUNDENZEICHNUNG		SCALE MASSSTAB	1:1
		SHEET BLATT	1
		OF VON	1
		REV.	B1