



Chipsmall Limited consists of a professional team with an average of over 10 year of expertise in the distribution of electronic components. Based in Hongkong, we have already established firm and mutual-benefit business relationships with customers from,Europe,America and south Asia,supplying obsolete and hard-to-find components to meet their specific needs.

With the principle of “Quality Parts,Customers Priority,Honest Operation,and Considerate Service”,our business mainly focus on the distribution of electronic components. Line cards we deal with include Microchip,ALPS,ROHM,Xilinx,Pulse,ON,Everlight and Freescale. Main products comprise IC,Modules,Potentiometer,IC Socket,Relay,Connector.Our parts cover such applications as commercial,industrial, and automotives areas.

We are looking forward to setting up business relationship with you and hope to provide you with the best service and solution. Let us make a better world for our industry!



Contact us

Tel: +86-755-8981 8866 Fax: +86-755-8427 6832

Email & Skype: info@chipsmall.com Web: www.chipsmall.com

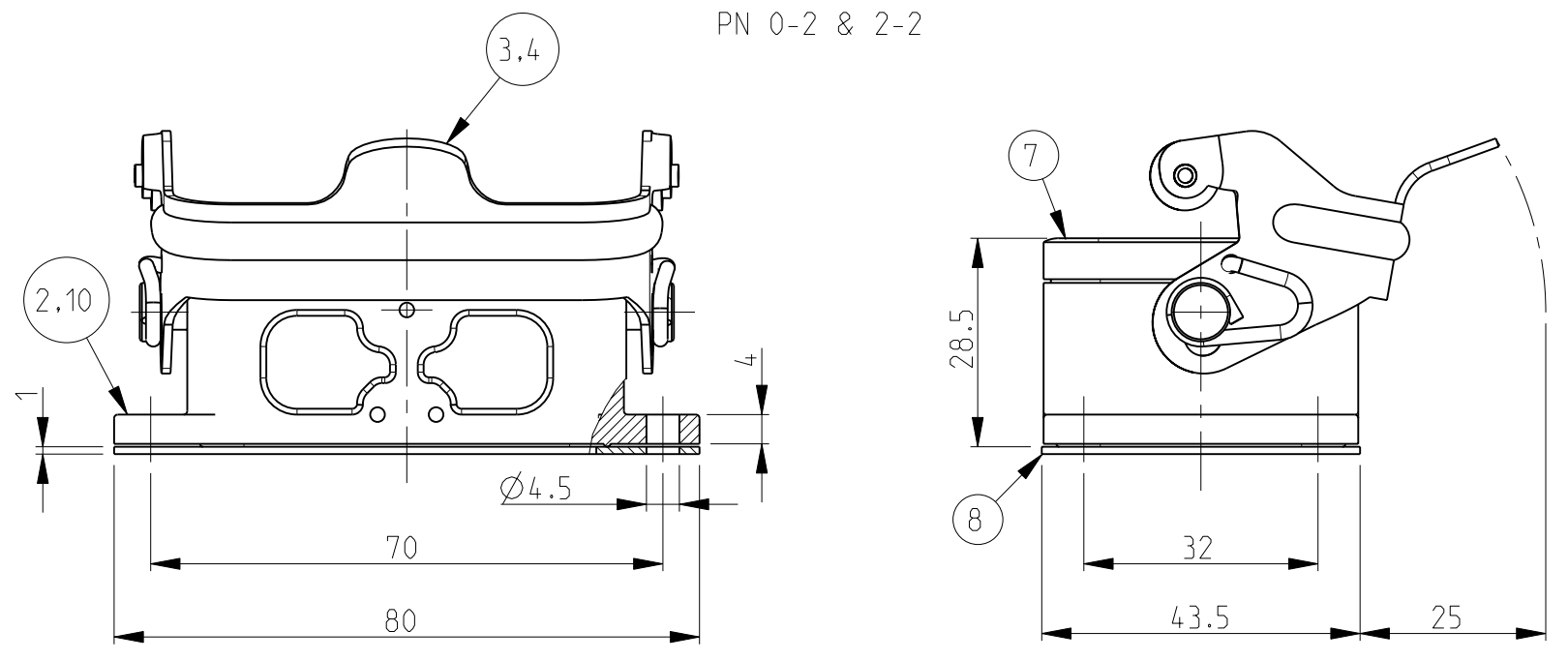
Address: A1208, Overseas Decoration Building, #122 Zhenhua RD., Futian, Shenzhen, China



THIS DRAWING IS UNPUBLISHED. RELEASED FOR PUBLICATION .1997
 © COPYRIGHT 1997 BY TYCO ELECTRONICS CORPORATION. ALL RIGHTS RESERVED.

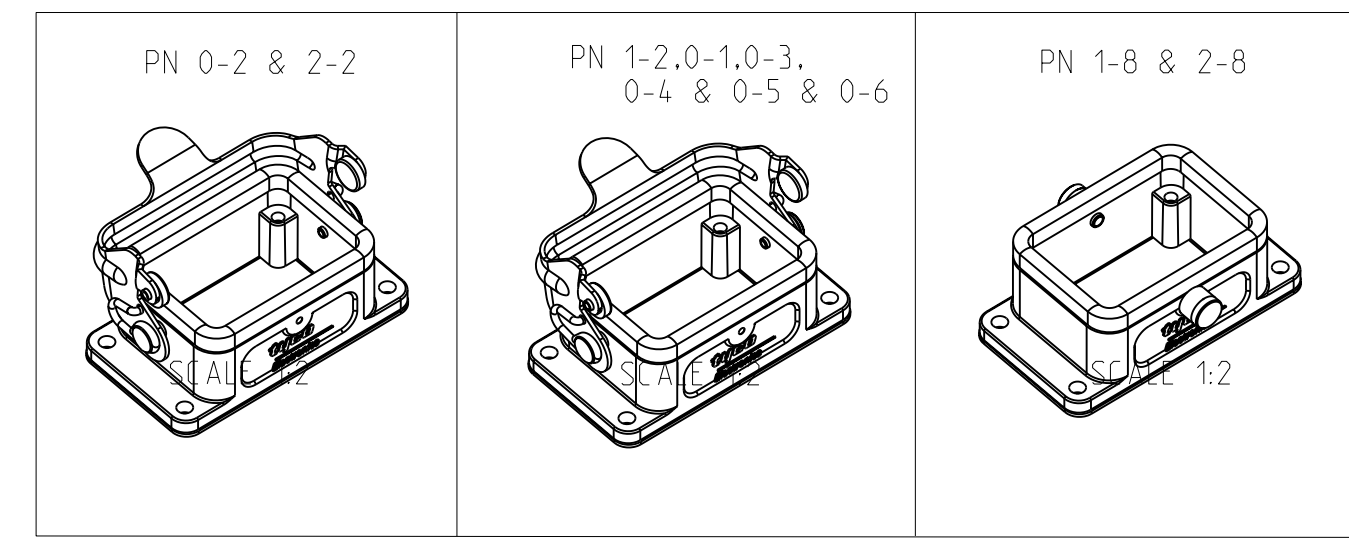
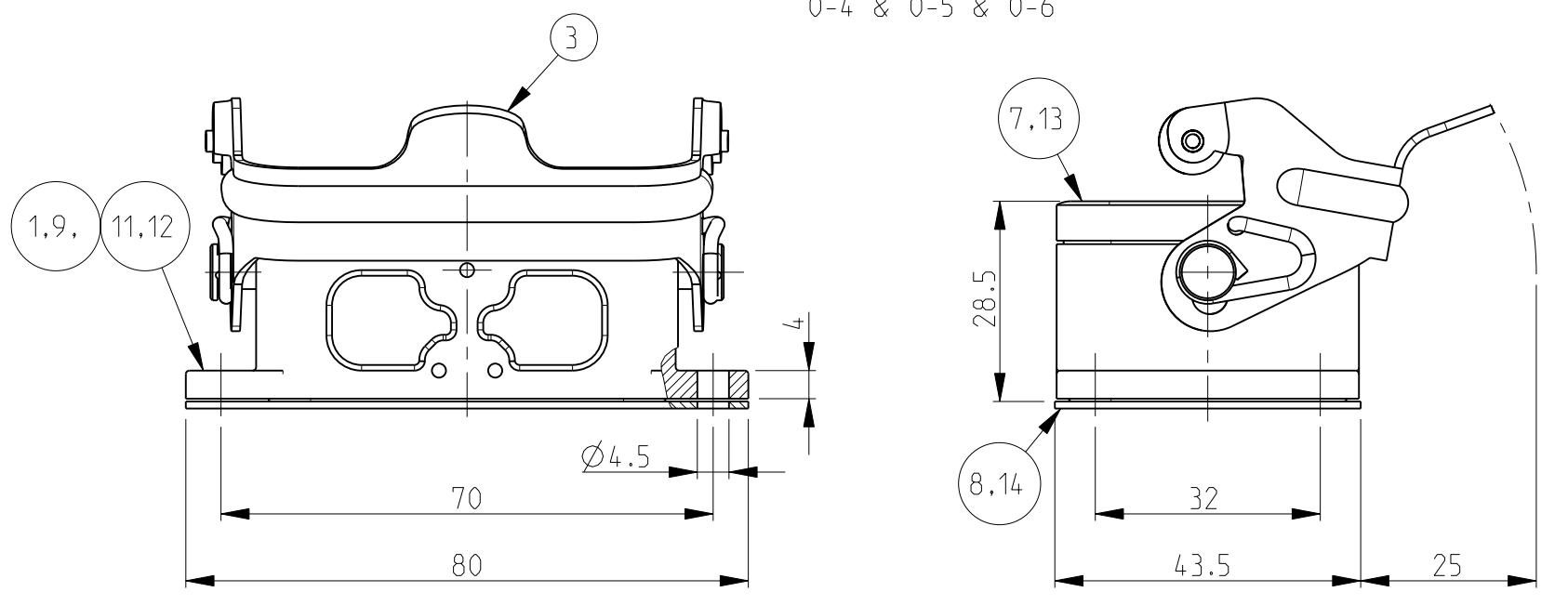
LOC		DIST		REVISIONS			
P	LTR	DESCRIPTION	DATE	DWN	APVD		
A	I						
		A8	ECR - 001736	17SEP2009	GW	ST	

PN 0-2 & 2-2

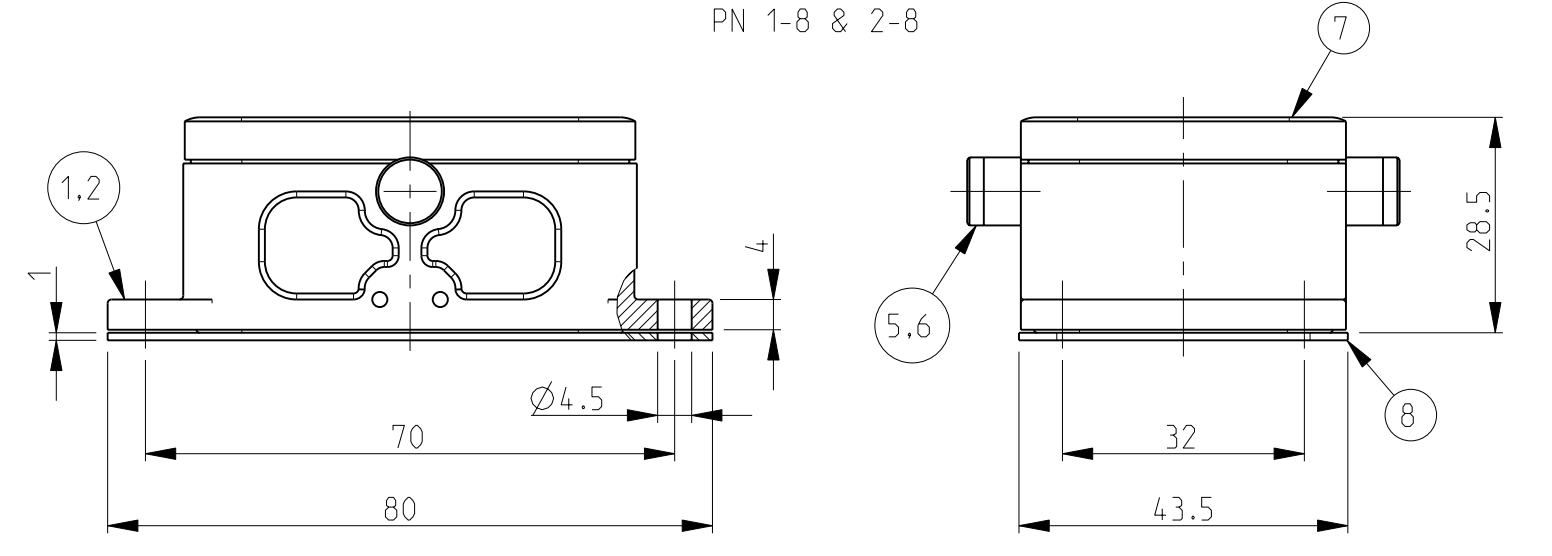


- NOTES.
- 1 Material:Housing:Aluminium Diecasting Alloy
Seals: Neoprene
 - 2 Surface-Varnish Grey
-Aluminium Oxide +
Varnish Black
 - 3 Varnish on the inside not necessary
 - 4 Packaging
Quantity 5 Pieces in a box

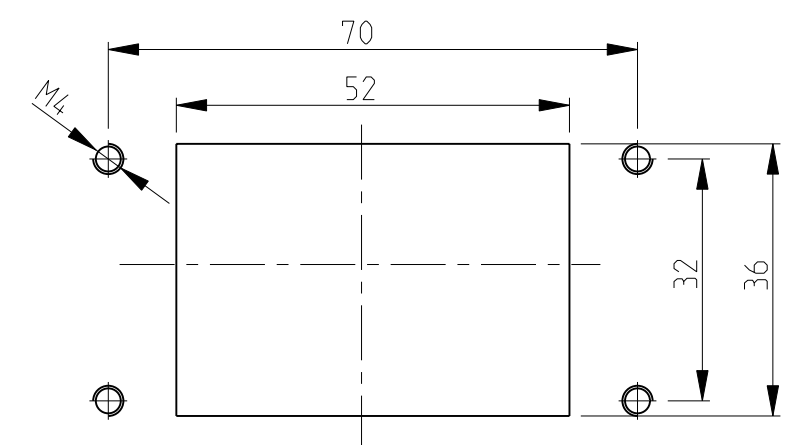
PN 1-2.0-1.0-3,
0-4 & 0-5 & 0-6



PN 1-8 & 2-8



Panel cut-out



OBSOLETE

QTY	DESCRIPTION	MATERIAL	SURFACE	COLOR	ITEM NO	NOTES
1	Flange seal	Viton			14	
1	Profile seal	Viton			13	
1	Surface mounted housing bottom entry HB	Aluminium		White RAL 9010	12	Without Logo
1	Surface mounted housing bottom entry HB	Aluminium		Grey	11	Without Logo
1	Surface mounted housing bottom entry HB	Aluminium		Without varnish	10	
1	Surface mounted housing bottom entry HB	Aluminium		Borning ried	9	
1	Flange seal	Neoprene		Black	8	
1	Profile seal	Neoprene		Black	7	
2	ZB-Clip bolt	Stainless steel			6	
2	ZB-Clip bolt	Steel	Zinc plated	Blue	5	
1	LB-Side clip	Stainless steel			4	
1	LB-Side clip	Steel	Zinc plated	Blue	3	
1	Surface mounted housing bottom entry HB-K	Aluminium	Aluminium oxide	Black	2	
1	Surface mounted housing bottom entry HB	Aluminium		Grey	1	

ORDERING TEXT
 HB.6.AG-LB
 HB-K.6.AG-LB
 HB-Z.6.AG-ZVGR
 HB-K/Z.6.AG-ZVGR
 HB.6.AG-LB
 HB.6.AG-LB
 HB.6.AG-LB
 HB.6.AG-LB.KM
 HB.6.AG-LB
 HB.6.AG-LB

THIS DRAWING IS A CONTROLLED DOCUMENT FOR TYCO ELECTRONICS CORPORATION IT IS SUBJECT TO CHANGE AND THE CONTROLLING ENGINEERING ORGANIZATION SHOULD BE CONTACTED FOR THE LATEST REVISION.

DWN 23.07.1997
 CHK Krammer 26.06.1998
 APVD

Tyco Electronics Tyco Electronics AMP GmbH
 D-53819, Neunkirchen, Germany

NAME Surface mounted housing bottom entry HB6

PRODUCT SPEC 108-74001/74003
 APPLICATION SPEC 114-74004/74005

SIZE A2 CAGE CODE 00779 DRAWING NO C=1102244 RESTRICTED TO -

MATERIAL FINISH WEIGHT CUSTOMER DRAWING SCALE 1:1 SHEET 1 OF 1 REV A8