



Chipsmall Limited consists of a professional team with an average of over 10 year of expertise in the distribution of electronic components. Based in Hongkong, we have already established firm and mutual-benefit business relationships with customers from,Europe,America and south Asia,supplying obsolete and hard-to-find components to meet their specific needs.

With the principle of “Quality Parts,Customers Priority,Honest Operation,and Considerate Service”,our business mainly focus on the distribution of electronic components. Line cards we deal with include Microchip,ALPS,ROHM,Xilinx,Pulse,ON,Everlight and Freescale. Main products comprise IC,Modules,Potentiometer,IC Socket,Relay,Connector.Our parts cover such applications as commercial,industrial, and automotives areas.

We are looking forward to setting up business relationship with you and hope to provide you with the best service and solution. Let us make a better world for our industry!



## Contact us

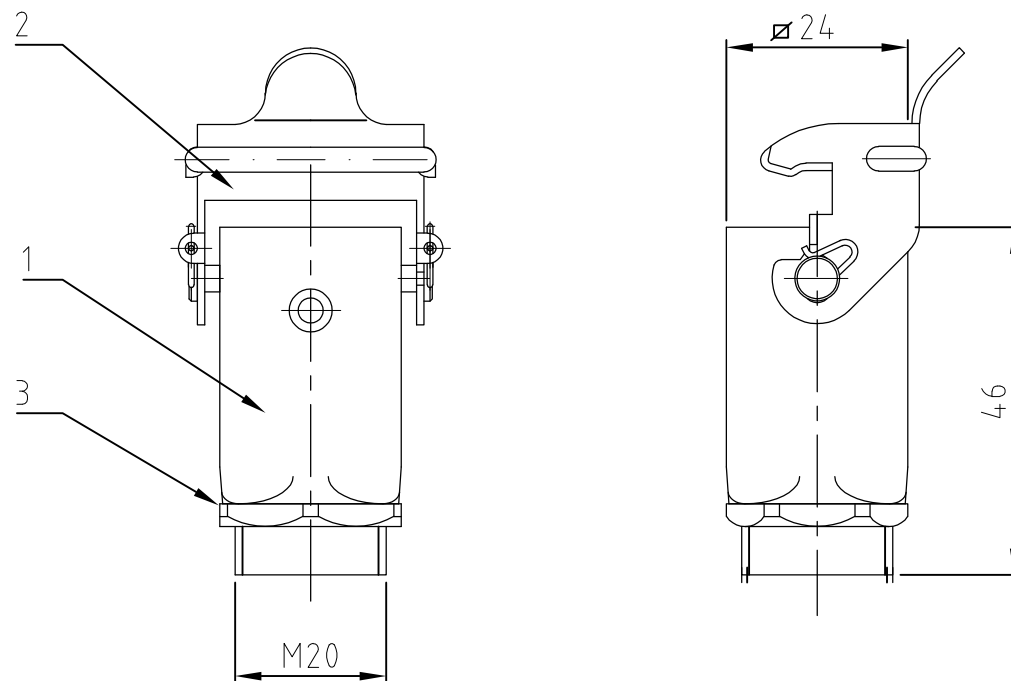
Tel: +86-755-8981 8866 Fax: +86-755-8427 6832

Email & Skype: info@chipsmall.com Web: www.chipsmall.com

Address: A1208, Overseas Decoration Building, #122 Zhenhua RD., Futian, Shenzhen, China



THIS DRAWING IS UNPUBLISHED. VERTRAULICHE UNVERÖFFENTLICHTE ZEICHNUNG		RELEASED FOR PUBLICATION FREI FUER VERÖFFENTLICHUNG		MATED WITH: PASSEND ZU: Bg1	LOC A1	DIST -	REVISIONS ÄNDERUNGEN						
© COPYRIGHT - By -		ALL RIGHTS RESERVED. ALLE RECHTE VORBEHALTEN					P	LTR	DESCRIPTION BESCHREIBUNG	DATE	DWN	APVD	
PROJEKT NR.: -								A1	neu gezeichnet	Eg00-0051-02	08.01.03	SR	SM
								A2	ECR-13-015411		10OCT13	GSK	MKO
								A3	ECR-13-019172		18DEC2013	KR	MKO



Notes

- ① Material: zink diecast
- ② Surface: - Varnisch grey
- ③ Varnish on the inside not necessarily

Bemerkungen

- ① Material: Zink-Druckguß Legierung
- ② Oberfläche: - Lackierung grau
- ③ Lackierung im Gehäuseinnere ist nicht notwendig

1	Einschraubegehäuse HA3	Zink/zinc diecast		-	1	-
1	1 6-Kant-Mutter	Stahl/steel	vernickelt	blau/blue	3	M20
1	1 LB-Bügel	Stahl/steel	verzinkt	blau/blue	2	-
	1 Einschraubgehäuse HA3	Zink/zinc diecast	-	grau/grey	1	-
0-2	0-1	DESCRIPTION / BENENNUNG	MATERIAL	SURFACE / OBERFLÄCHE	COLOR / FARBE	ITEM NO. POS. REMARKS / BEMERKUNGEN

HA-EMV.3.EG-LB/A.1.M20.Z	HA.3.EG-LB/A.1.M20.Z	ORDERING TEXT / BESTELLTEXT	THIS DRAWING IS A CONTROLLED DOCUMENT. DIESE ZEICHNUNG IST EIN KONTROLLIERTES DOKUMENT.		DWN Schneider	08.01.03	<b>STE</b> TE Connectivity
			DIMENSIONS: MASSE/MAßSTÄBE: mm		CHK Schweiger	08.01.03	
			TOLERANCES UNLESS OTHERWISE SPECIFIED: ALL GEMEINTOLERANZEN				NAME Surface mounted hous. thread outside Einschraubgehäuse HA.3.EG-LB/A.1.M20.Z
			0 PLC ± - 1 PLC ± - 2 PLC ± - 3 PLC ± - 4 PLC ± - ANGLES/WINKEL ± -				
			MATERIAL		FINISH/OBERFLÄCHE/FARBE		SIZE A3
					WEIGHT -		CAGE CODE 00779
					DRAWING NO ZEICHNUNGS-NR. G-1102874		RESTRICTED TO NUR FUER
					CUSTOMER DRAWING/KUNDENZEICHNUNG		SCALE MASSTAB 1:1
					SHEET BLATT 1		OF VON 1
					REV A3		