



Chipsmall Limited consists of a professional team with an average of over 10 year of expertise in the distribution of electronic components. Based in Hongkong, we have already established firm and mutual-benefit business relationships with customers from,Europe,America and south Asia,supplying obsolete and hard-to-find components to meet their specific needs.

With the principle of "Quality Parts,Customers Priority,Honest Operation,and Considerate Service",our business mainly focus on the distribution of electronic components. Line cards we deal with include Microchip,ALPS,ROHM,Xilinx,Pulse,ON,Everlight and Freescale. Main products comprise IC,Modules,Potentiometer,IC Socket,Relay,Connector.Our parts cover such applications as commercial,industrial, and automotives areas.

We are looking forward to setting up business relationship with you and hope to provide you with the best service and solution. Let us make a better world for our industry!



Contact us

Tel: +86-755-8981 8866 Fax: +86-755-8427 6832

Email & Skype: info@chipsmall.com Web: www.chipsmall.com

Address: A1208, Overseas Decoration Building, #122 Zhenhua RD., Futian, Shenzhen, China



4

3

2

1

THIS DRAWING IS UNPUBLISHED.
VERTRAULICHE UNVERÖFFENTLICHTE ZEICHNUNG

RELEASED FOR PUBLICATION
FREI FUER VERÖFFENTLICHUNG

MATED WITH:
PASSEND ZU:

LOC
AI

DIST

REVISIONS
ÄNDERUNGEN

© COPYRIGHT 2000

BY AMP INCORPORATED.

ALL RIGHTS RESERVED.
ALLE RECHTE VORBEHALTEN

HEE

PROJEKT NR.:
EGGMN04414

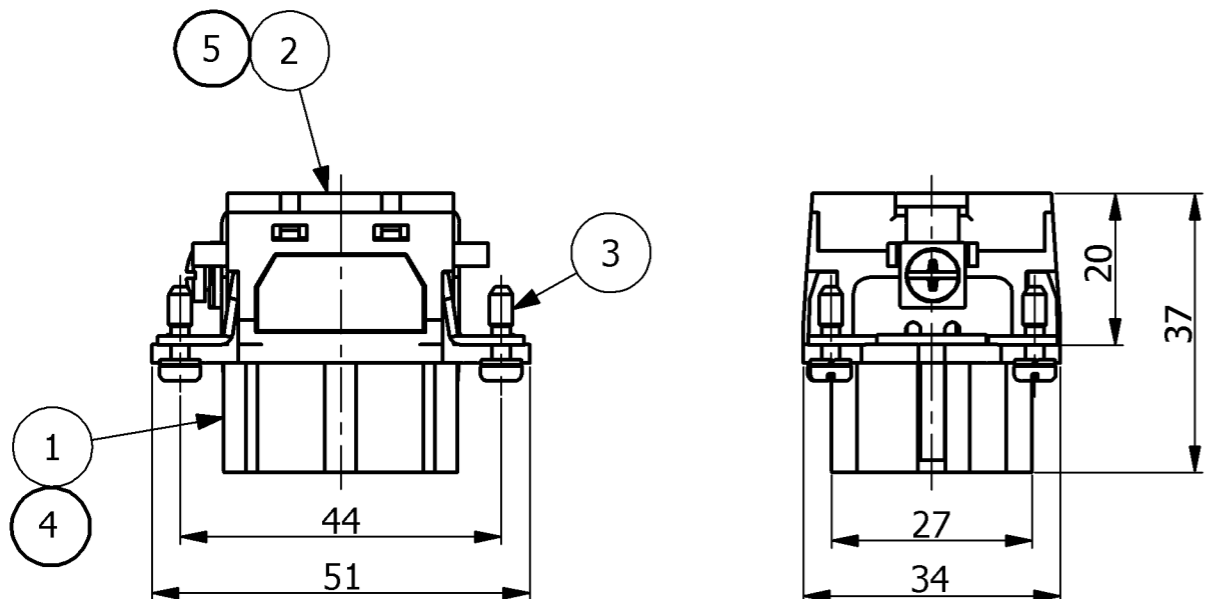
P
B2

LTR
REVISOR
REVISED PER ECO-11-004886

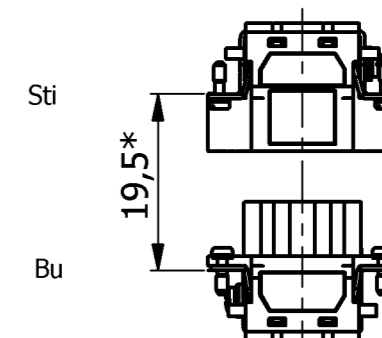
DATE
29APR11

DWN
HMR

APVD
MM

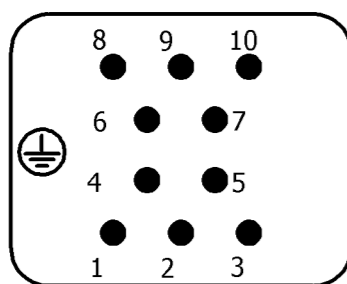


* distance for guaranteed contact 21 mm max.



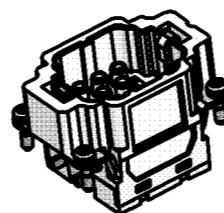
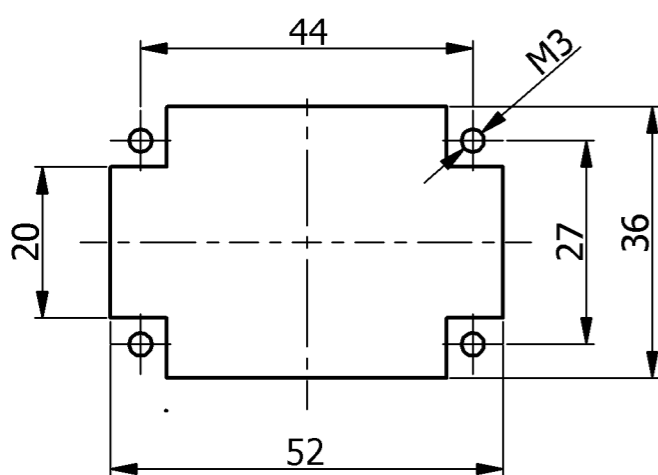
Contact arrangement view from termination side

PN 0-1; 0-2



- 1 Material, LCP-GF
- 2 Material, insert: PC-GF20
- 3 Material, cover: PC-GF20
- 4 Packaging: 10 pieces

Panet cut-out for contact insert when used without housing



1		Cover HEE.10- FS	LCP-GF30	NATURE		5
1		Female insert HEE.10-FS	LCP-GF30	NATURE		4
4	4	FIXING SCREW	STEEL	BLUE	M3X10,5	3
	1	COVER HEE10	PC-GF20 (B)	NATURAL		2
	1	FEMALE INSERT HEE.10	PC-GF20 (B)	LIGHT-GREY	-	1
QTY.	QTY.	DESCRIPTION	MATERIAL	COLOR	NOTE	ITEM

0-2	0-1	PARTS LIST				
HEE.10.Bu.C						
HEE.10.Bu.C-FS						

<small>THIS DRAWING IS A CONTROLLED DOCUMENT FOR AMP INCORPORATED. IT IS SUBJECT TO CHANGE AND THE CONTROLLING ENGINEERING ORGANIZATION SHOULD BE CONTACTED FOR THE LATEST REVISION. DIESSES ZEICHNUNGSDOKUMENT WIRD DURCH AMP INCORPORATED KONTROLLIERT. ÄNDERUNGEN, DIE DEM TECHNISCHEN FORTSCHRITT DIENEN, SIND VORBEHALTEN. DEN JEWELIGEN LETZTLIEGENDEN ÄNDERUNGSSTAND ERFAHREN SIE AUF ANFRAGE.</small>		DWN 02.05.2005 SCHNEIDER CHK 02.05.2005 M.SCHWEIGER			
DIMENSIONS: DIMENSIONEN: mm		TOLERANCES UNLESS OTHERWISE SPECIFIED: ALLGEMEINTOLERANZEN n. ISO 8015 n. ISO 2768 - mH -E n. DIN 16901 - 140 0 PLC # 1 PLC # 2 PLC # 3 PLC # ANGLES/WINKEL #			
		MATERIAL FINISH / OBERFLÄCHE / FARBE		NAME FEMALE INSERT HEE.10.BU.C	
		APPLICATION SPEC VERARBEITUNGSSPEZ. 114-74060		SIZE A3	
		WEIGHT GEWICHT		CAGE CODE 00779	
		CUSTOMER DRAWING / KUNDENZEICHNUNG		DRAWING NO ZEICHNUNGS-NR. 1102919	
		SCALE MASSSTAB		RESTRICTED TO NUR FUER -	
		SHEET BLATT 1		OF VON 1	
		REV B2			