



Chipsmall Limited consists of a professional team with an average of over 10 year of expertise in the distribution of electronic components. Based in Hongkong, we have already established firm and mutual-benefit business relationships with customers from,Europe,America and south Asia,supplying obsolete and hard-to-find components to meet their specific needs.

With the principle of “Quality Parts,Customers Priority,Honest Operation,and Considerate Service”,our business mainly focus on the distribution of electronic components. Line cards we deal with include Microchip,ALPS,ROHM,Xilinx,Pulse,ON,Everlight and Freescale. Main products comprise IC,Modules,Potentiometer,IC Socket,Relay,Connector.Our parts cover such applications as commercial,industrial, and automotives areas.

We are looking forward to setting up business relationship with you and hope to provide you with the best service and solution. Let us make a better world for our industry!



Contact us

Tel: +86-755-8981 8866 Fax: +86-755-8427 6832

Email & Skype: info@chipsmall.com Web: www.chipsmall.com

Address: A1208, Overseas Decoration Building, #122 Zhenhua RD., Futian, Shenzhen, China



THIS DRAWING IS UNPUBLISHED.
 VERTRAULICHE UNVERÖFFENTLICHTE ZEICHNUNG

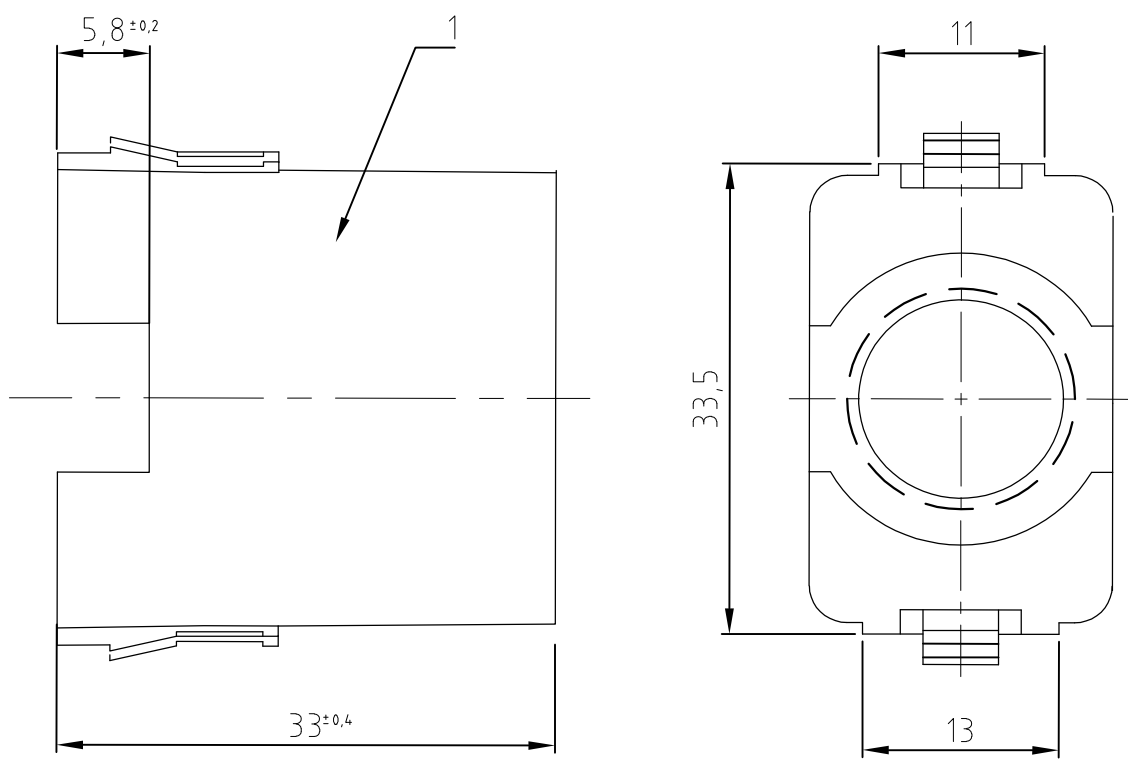
RELEASED FOR PUBLICATION
 FREI FUER VERÖFFENTLICHUNG

ALL RIGHTS RESERVED.
 ALLE RECHTE VORBEHALTEN

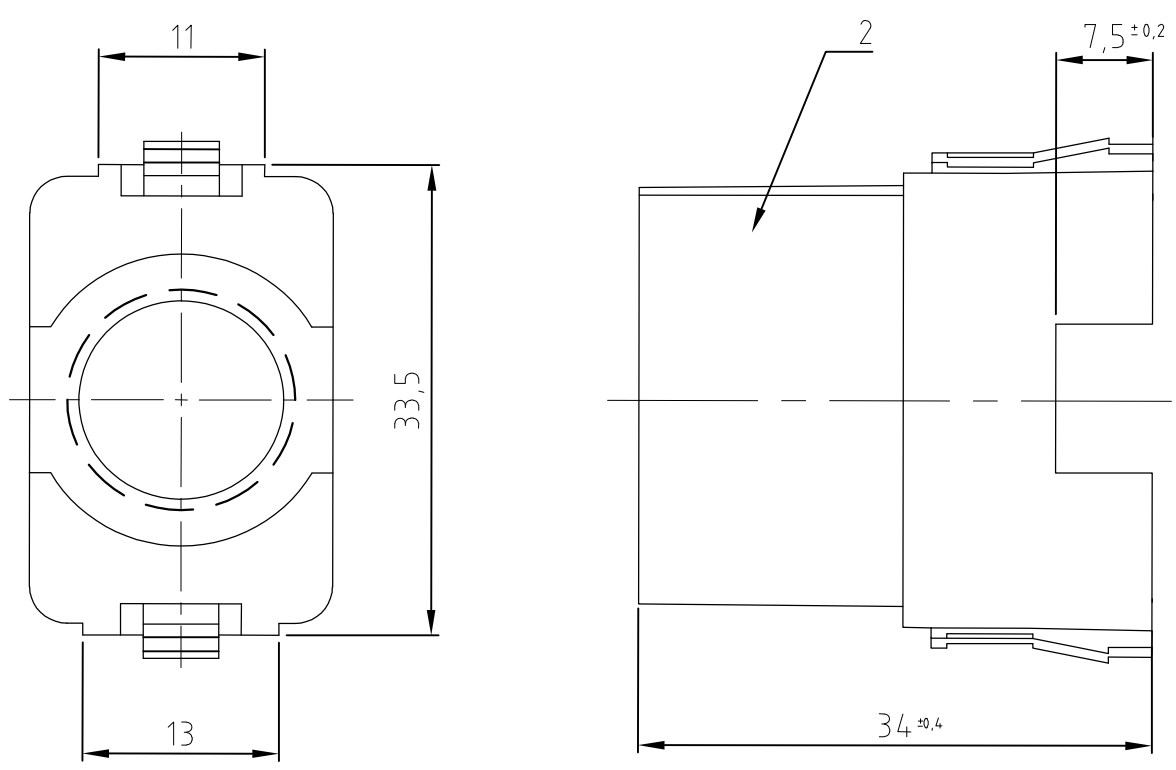
MATED WITH:
 PASSEND ZU:
 MDL

LOC	DIST	REVISIONS					
AI	—	P	LTR	DESCRIPTION	DATE	DWN	APVD
PROJEKT NR.:			B1	Packaging box changed; ECR-07-027099	13.11.2007	AR	ST
-			B2	ECR-13-015073	03OCT2013	GSK	MKO
			B3	ECR-14-001009	24JAN2014	GSK	MKO

MDL2 Sti



MDL2 Bu



1	-	Moduleinsatz Bu/module insert socket	PA 66	natur	2	-
-	1	Moduleinsatz Sti/module insert pin	PA 66	natur	1	-
0-2	0-1	DESCRIPTION / BENENNUNG	MATERIAL	COLOR/FARBE	ITEM NO. POS.	REMARKS / BEMERKUNGEN
MDL2.VT-KX.Bu	MDL2.VT-KX.Sti	ORDERING TEXT/BESTELLTEXT	THIS DRAWING IS A CONTROLLED DOCUMENT. DIESE ZEICHNUNG IST EIN KONTROLLIERTES DOKUMENT.		DWN Schneider 26.09.2003	
			DIMENSIONS: MASSE/NEHMEN: mm		CHK Baum 26.09.2003	
		TOLERANCES UNLESS OTHERWISE SPECIFIED: ALLGEMEINTOLERANZEN		APVD		
		n. ISO 8015		NAME		
		n. ISO 2768 - mH - E		Modul insert MDL2.VT-KX.Sti/Bu		
		n. DIN 16901 - 140		Moduleinsatz MDL2.VT-KX.Sti/Bu		
		0 PLC ±		PRODUCT SPEC		
		1 PLC ±		PRODUKTSPEZ.		
		2 PLC ±		APPLICATION SPEC		
		3 PLC ±		VERARBEITUNGSSPEZ.		
		4 PLC ±		vspec-02		
		ANGLES / WINKEL ±		SIZE		
		FINISH/OBERFLAECHE/FARBE		CAGE CODE		
		-		DRAWING NO		
				ZEICHNUNGS-NR.		
				WEIGHT		
				GEWICHT 10g / 14g		
				A3 00779		
				C-1103020		
				RESTRICTED TO NUR FUER		
				-		
				CUSTOMER DRAWING/KUNDENZEICHNUNG		
				SCALE MASSSTAB 2:1		
				SHEET BLATT 1 OF 1		
				REV B3		