



Chipsmall Limited consists of a professional team with an average of over 10 year of expertise in the distribution of electronic components. Based in Hongkong, we have already established firm and mutual-benefit business relationships with customers from,Europe,America and south Asia,supplying obsolete and hard-to-find components to meet their specific needs.

With the principle of “Quality Parts,Customers Priority,Honest Operation,and Considerate Service”,our business mainly focus on the distribution of electronic components. Line cards we deal with include Microchip,ALPS,ROHM,Xilinx,Pulse,ON,Everlight and Freescale. Main products comprise IC,Modules,Potentiometer,IC Socket,Relay,Connector.Our parts cover such applications as commercial,industrial, and automotives areas.

We are looking forward to setting up business relationship with you and hope to provide you with the best service and solution. Let us make a better world for our industry!



Contact us

Tel: +86-755-8981 8866 Fax: +86-755-8427 6832

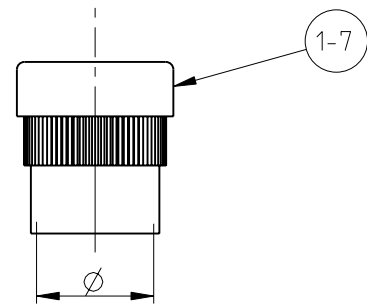
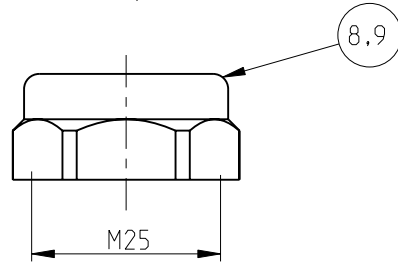
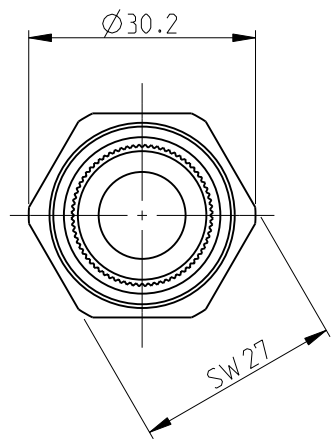
Email & Skype: info@chipsmall.com Web: www.chipsmall.com

Address: A1208, Overseas Decoration Building, #122 Zhenhua RD., Futian, Shenzhen, China

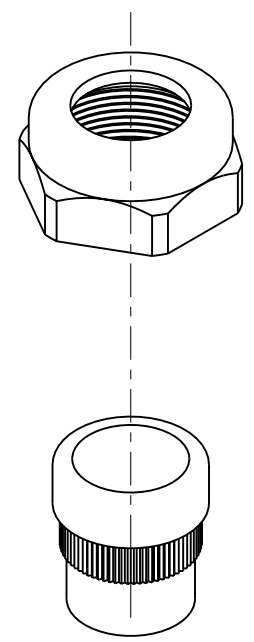


THIS DRAWING IS UNPUBLISHED. RELEASED FOR PUBLICATION
 © COPYRIGHT 2000 BY TYCO ELECTRONICS CORPORATION. ALL RIGHTS RESERVED.

LOC	DIST	REVISIONS				
P	LTR	DESCRIPTION	DATE	DWN	APVD	
A1	-	B3	PN 1-1 - 1-6 ADDED ECR - 027109	27OCT2008	GW	ST



PN: 0-1 as shown



Notes

- 1 PACKAGING:
10 SETS IN A CARTON

1-6	1-5	1-4	1-3	1-2	1-1	0-7	0-6	0-5	0-4	0-3	0-2	0-1	DESCRIPTION	max./min.∅	MATERIAL	COLOR	ITEM NO
													GLAND NUT	-	PA6.6-GF25	LIGHT-GREY	9
						1	1	1	1	1	1	1	GLAND NUT	-	PA6.6-GF25	BLACK	8
													SEAL INSERT	15.5	PVC	WHITE	7
1							1						SEAL INSERT	15.5 - 11.5	PVC	WHITE	6
	1							1					SEAL INSERT	13.0 - 9.0	PVC	RED	5
		1							1				SEAL INSERT	10.5 - 7.0	PVC	GREEN	4
			1							1			SEAL INSERT	9.5 - 6.5	PVC	BLACK	3
				1							1		SEAL INSERT	8.0 - 5.0	PVC	GREY	2
					1							1	SEAL INSERT	6.5 - 4.0	PVC	YELLOW	1

HG-Q8.M25.15.5/11.5	grey
HG-Q8.M25.13.0/9.0	grey
HG-Q8.M25.10.5/7.0	grey
HG-Q8.M25.9.5/6.5	grey
HG-Q8.M25.8.0/5.0	grey
HG-Q8.M25.6.5/4.0	grey
HG-Q8.M25.15.5/11.5.S0	
HG-Q8.M25.15.5/11.5	
HG-Q8.M25.13.0/9.0	
HG-Q8.M25.10.5/7.0	
HG-Q8.M25.9.5/6.5	
HG-Q8.M25.8.0/5.0	
HG-Q8.M25.6.5/4.0	

THIS DRAWING IS A CONTROLLED DOCUMENT FOR TYCO ELECTRONICS CORPORATION IT IS SUBJECT TO CHANGE AND THE CONTROLLING ENGINEERING ORGANIZATION SHOULD BE CONTACTED FOR THE LATEST REVISION.

DIMENSIONS: mm

TOLERANCES UNLESS OTHERWISE SPECIFIED:
 n.ISO 8015:
 n.ISO 2768-mH-E:
 n.DIN 16901-120

0 PLC	±
1 PLC	±
2 PLC	±
3 PLC	±
4 PLC	±
ANGLES	±

MATERIAL FINISH -

DWN	Schneider	23.11.04	Tyco / Electronics AMP GmbH	
CHK	Schweiger	31.01.05	D - 53819, Neunkirchen, Germany	
APVD	T. Schnurpfel	31.01.05	NAME	
PRODUCT SPEC	108-74052	SET GLAND M 25 SERIES HG-Q		
APPLICATION SPEC	114-74064	SIZE	CAGE CODE	DRAWING NO
WEIGHT	0.006 KG	A3	00779	©=1103074
CUSTOMER DRAWING		SCALE	SHEET	REV
		2:1	1 OF 1	B3