



Chipsmall Limited consists of a professional team with an average of over 10 year of expertise in the distribution of electronic components. Based in Hongkong, we have already established firm and mutual-benefit business relationships with customers from,Europe,America and south Asia,supplying obsolete and hard-to-find components to meet their specific needs.

With the principle of "Quality Parts,Customers Priority,Honest Operation,and Considerate Service",our business mainly focus on the distribution of electronic components. Line cards we deal with include Microchip,ALPS,ROHM,Xilinx,Pulse,ON,Everlight and Freescale. Main products comprise IC,Modules,Potentiometer,IC Socket,Relay,Connector.Our parts cover such applications as commercial,industrial, and automotives areas.

We are looking forward to setting up business relationship with you and hope to provide you with the best service and solution. Let us make a better world for our industry!



Contact us

Tel: +86-755-8981 8866 Fax: +86-755-8427 6832

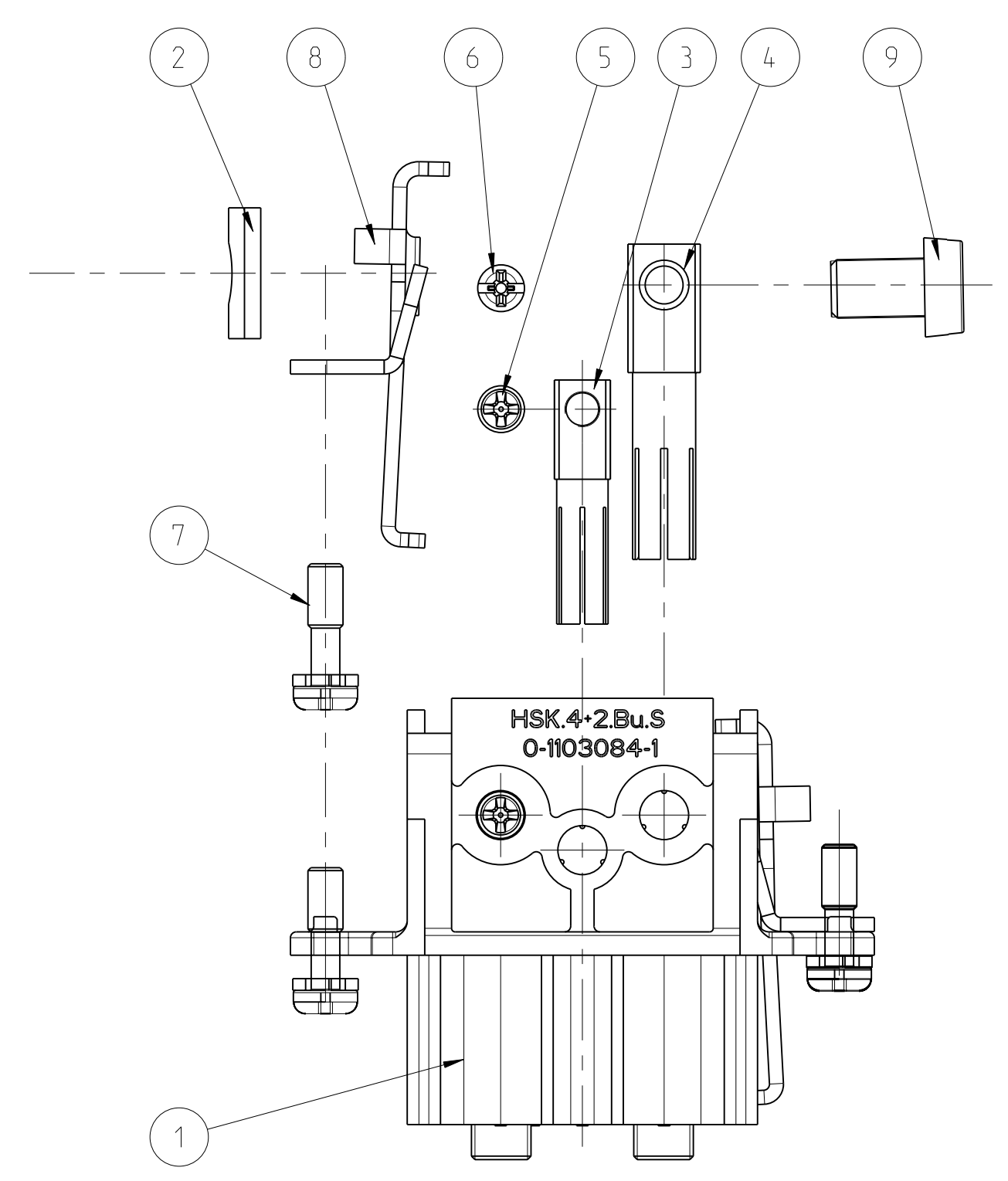
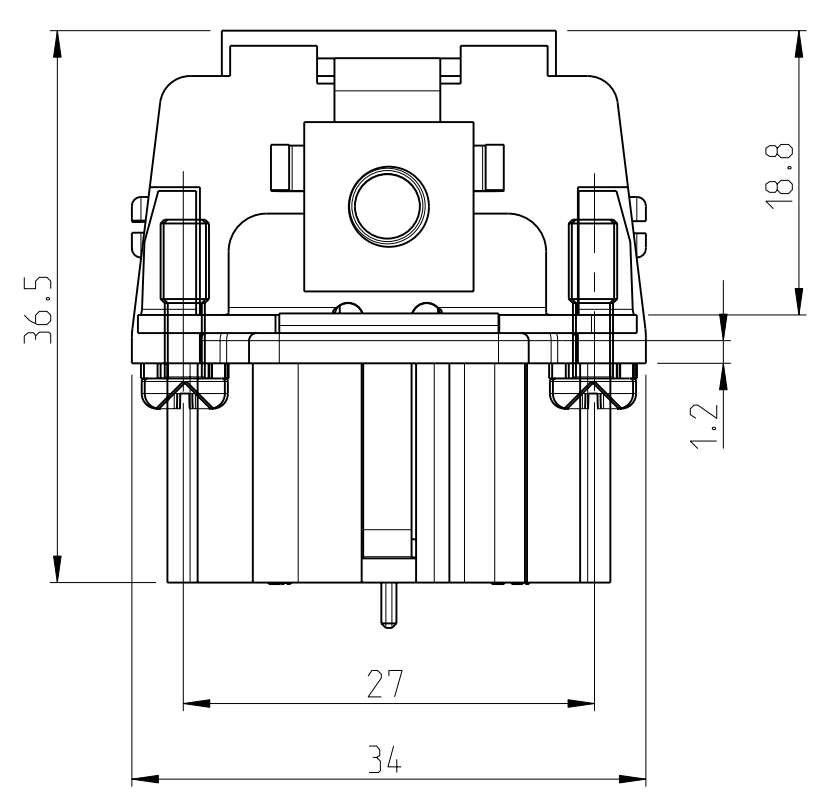
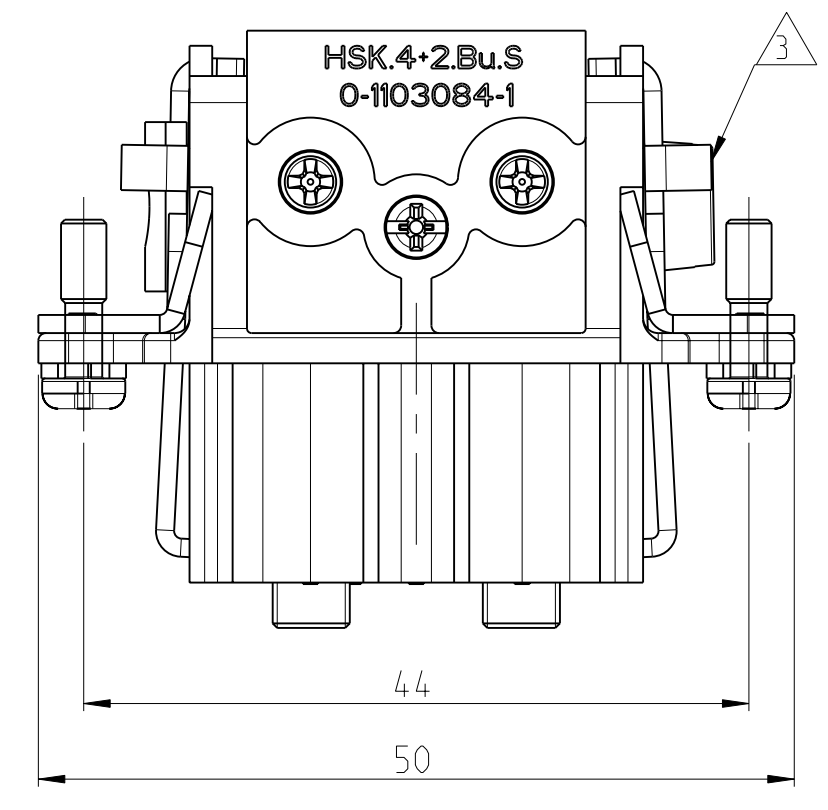
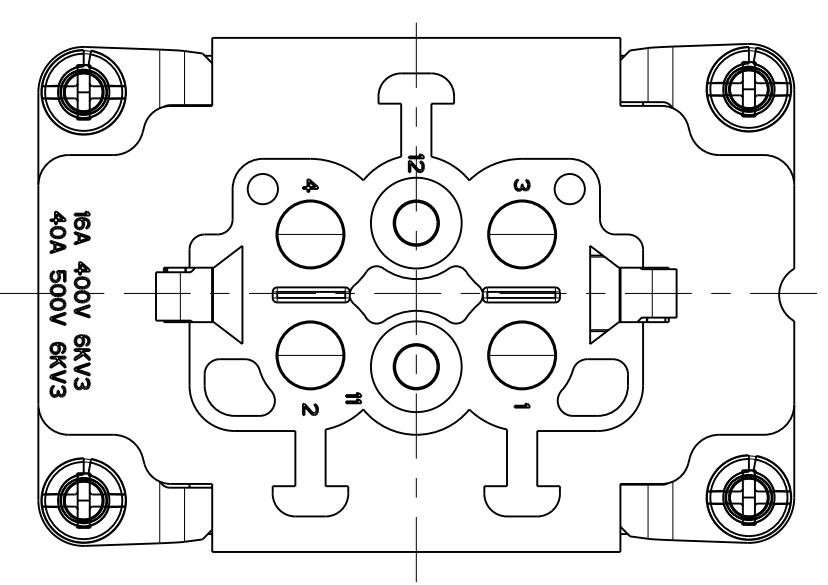
Email & Skype: info@chipsmall.com Web: www.chipsmall.com

Address: A1208, Overseas Decoration Building, #122 Zhenhua RD., Futian, Shenzhen, China



LOC	DIST	REVISIONS			
P	LTB	DESCRIPTION	DATE	DWN	APVD
B1		ECR-09-026756	31AUG2010	SR	ME

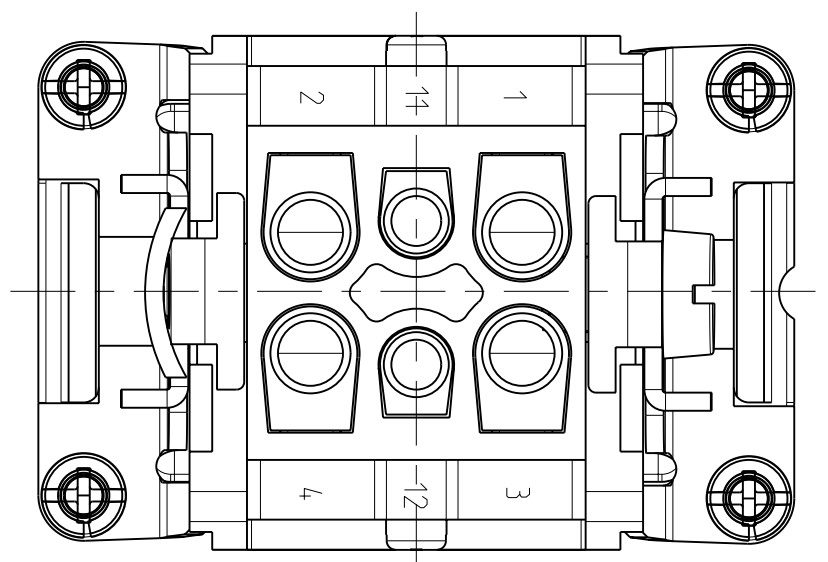
CONTACT ARRANGEMENT
VIEW FROM CONNECTING SIDE



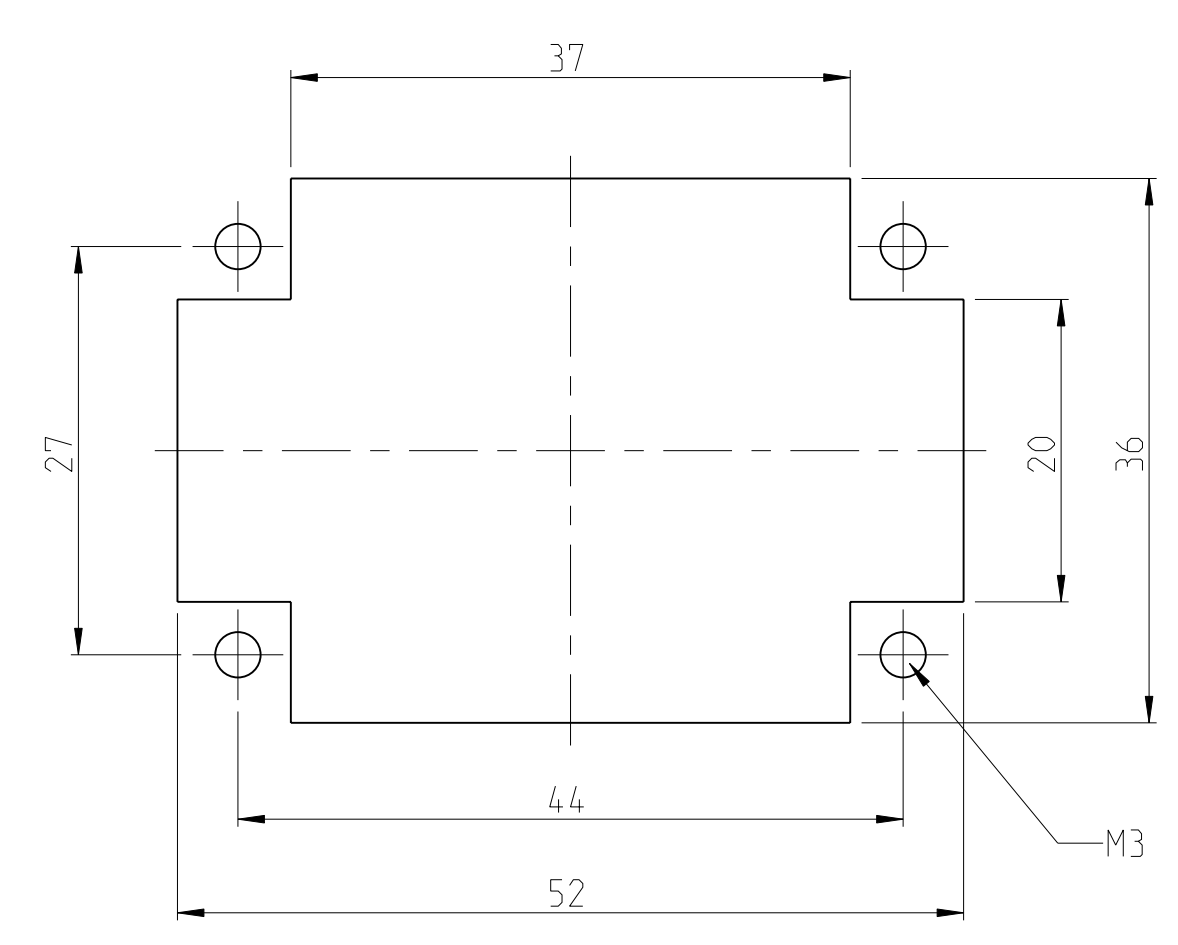
NOTES

- 1 POWER CONTACT: 1 TO 4
OUTER DIMENSIONS OF INSULATION: MAX. Ø6.4MM
- 2 SIGNAL CONTACT: 11 AND 12
OUTER DIMENSIONS OF INSULATION: MAX. Ø4.9MM
- ⚠ GROUNDING CONTACT
- 4 SUITABLE HOOD SIZE 3: SERIES HB, HD, EMV, AND HIP
- 5 STANDARDS:
DIN EN 61984; DIN EN 60664-1
- 6 PACKAGING: 10 PIECES IN A CARTON

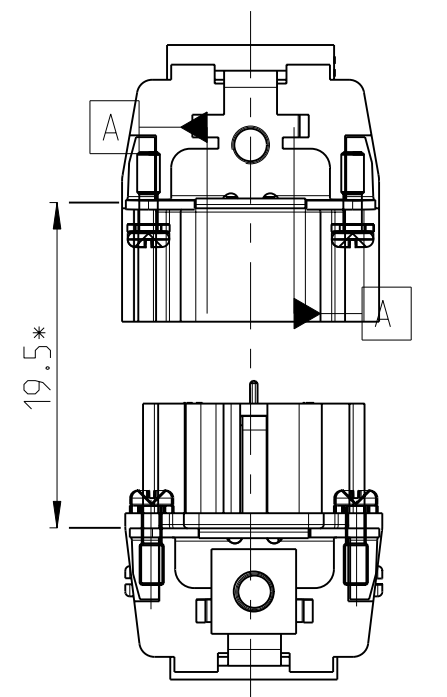
CONTACT ARRANGEMENT
VIEW FROM TERMINATION SIDE



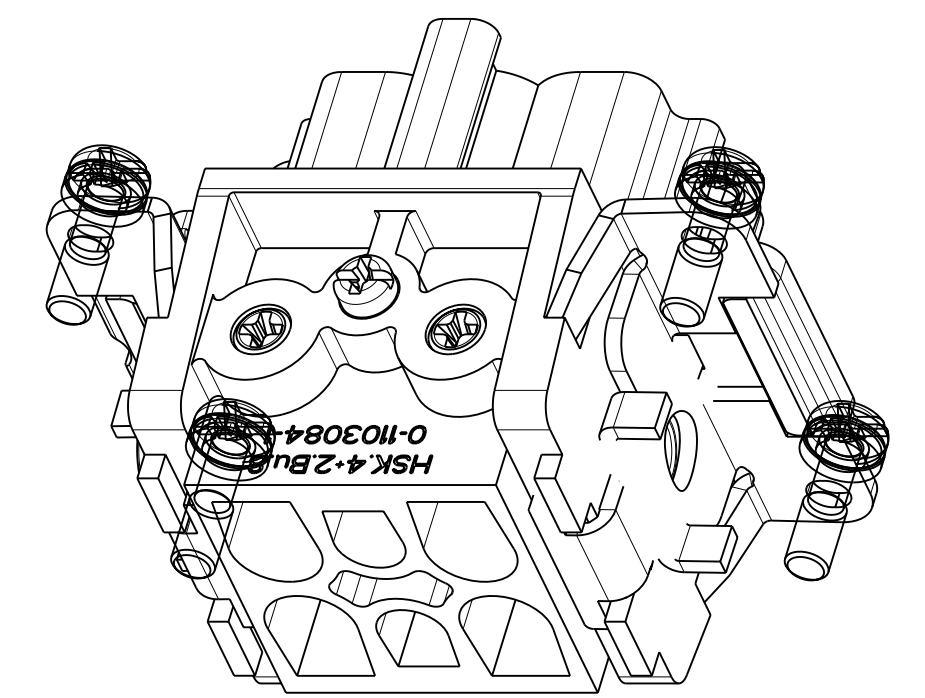
PANEL CUT-OUT CONTACT INSERT
WHEN USED WITHOUT HOUSING



MOUNTING REMARK



* DISTANCE FOR GUARANTEED CONTACT 19.5 TO 21MM



QTY.	DESCRIPTION	MATERIAL	SURFACE	COLOR	NOTE	ITEM
1	SCREW	STEEL	NICKEL PLATED	BLUE	DIN EN ISO 1207-M5x8	9
2	WIRE CONTACT PROTECTION SOCKET HSK	BRASS	NICKEL PLATED	BLUE		8
4	FIXING SCREW	STEEL	NICKEL PLATED	BLUE	M3x10.5	7
2	CONTACT SCREW	STEEL	NICKEL PLATED	BLUE	M3x5.7	6
4	THREAD PIN HSK.4+2	STEEL	NICKEL PLATED	BLUE	M4x8	5
4	CONTACT SOCKET HSK	BRASS	SILVER PLATED			4
2	SOCKET CONTACT	BRASS	SILVER PLATED	BLUE		3
1	CLAMP TAB	STEEL	NICKEL PLATED	BLUE		2
1	FEMALE INSERT	PC-GV20		LIGHT GREY		1
0-1	HSK.4+2.Bu.S					

THIS DRAWING IS A CONTROLLED DOCUMENT. DWN: R.SCHNEIDER 31AUG2010
 CH: T.SCHNURPEL 31AUG2010
 APVD: T.SCHNURPEL

TE Connectivity

PRODUCT SPEC: FEMALE INSERT ASSY HSK.4+2
 APPLICATION SPEC: -
 SIZE: A1 00779 C=1103084
 WEIGHT: -
 CUSTOMER DRAWING

SCALE: 2:1 SHEET: 1 OF 1 REV: B1