



Chipsmall Limited consists of a professional team with an average of over 10 year of expertise in the distribution of electronic components. Based in Hongkong, we have already established firm and mutual-benefit business relationships with customers from,Europe,America and south Asia,supplying obsolete and hard-to-find components to meet their specific needs.

With the principle of “Quality Parts,Customers Priority,Honest Operation,and Considerate Service”,our business mainly focus on the distribution of electronic components. Line cards we deal with include Microchip,ALPS,ROHM,Xilinx,Pulse,ON,Everlight and Freescale. Main products comprise IC,Modules,Potentiometer,IC Socket,Relay,Connector.Our parts cover such applications as commercial,industrial, and automotives areas.

We are looking forward to setting up business relationship with you and hope to provide you with the best service and solution. Let us make a better world for our industry!



Contact us

Tel: +86-755-8981 8866 Fax: +86-755-8427 6832

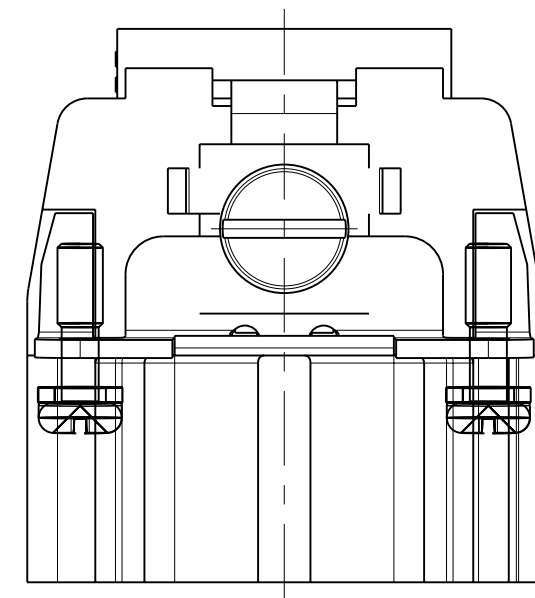
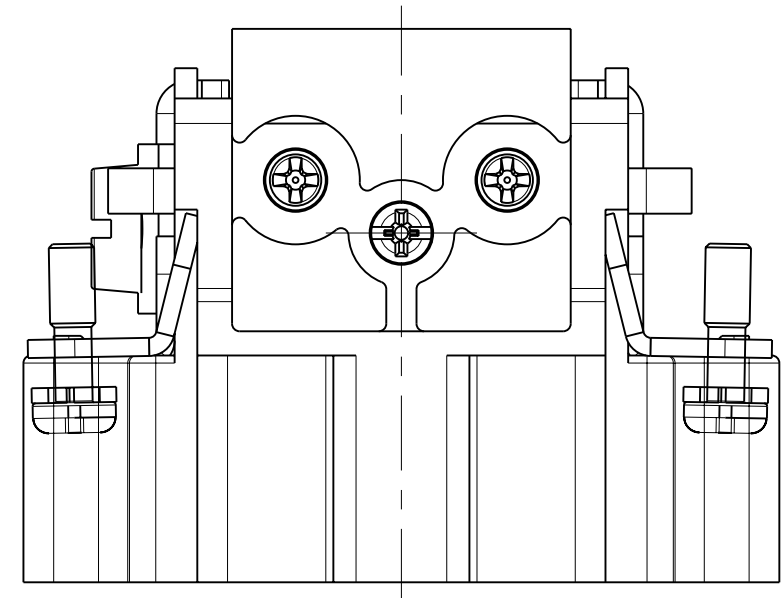
Email & Skype: info@chipsmall.com Web: www.chipsmall.com

Address: A1208, Overseas Decoration Building, #122 Zhenhua RD., Futian, Shenzhen, China

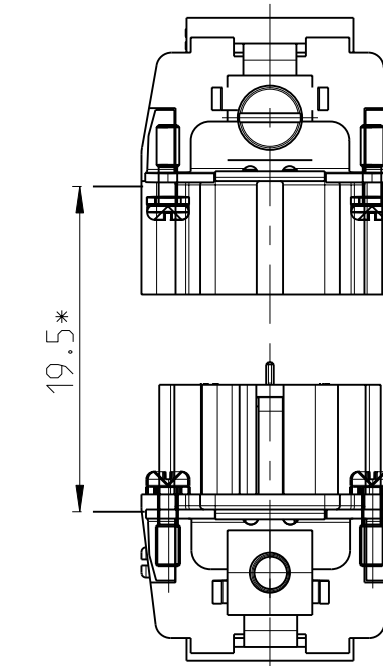


LOC	DIST	REVISIONS			
A1	-	REV	DATE	BY	APPV
		B1	ECR-09-026756	02SEP2010	SR ME

CONTACT ARRANGEMENT
VIEW FROM TERMINATION SIDE



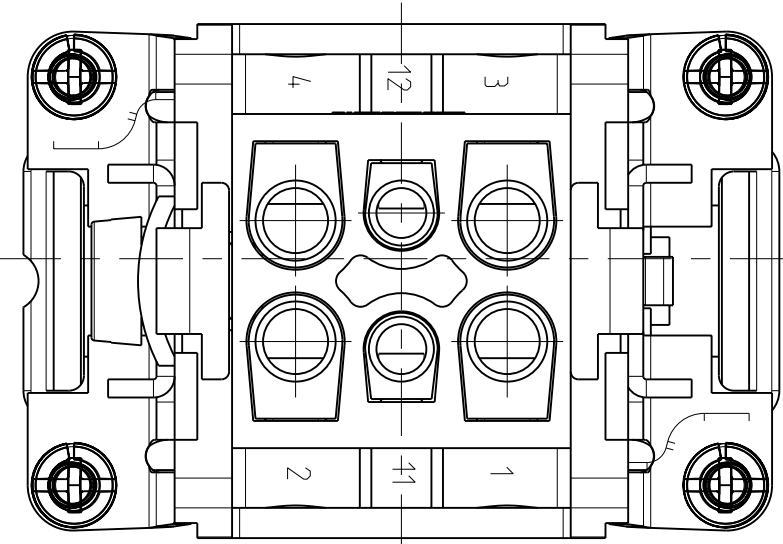
MOUNTING REMARK
1:1



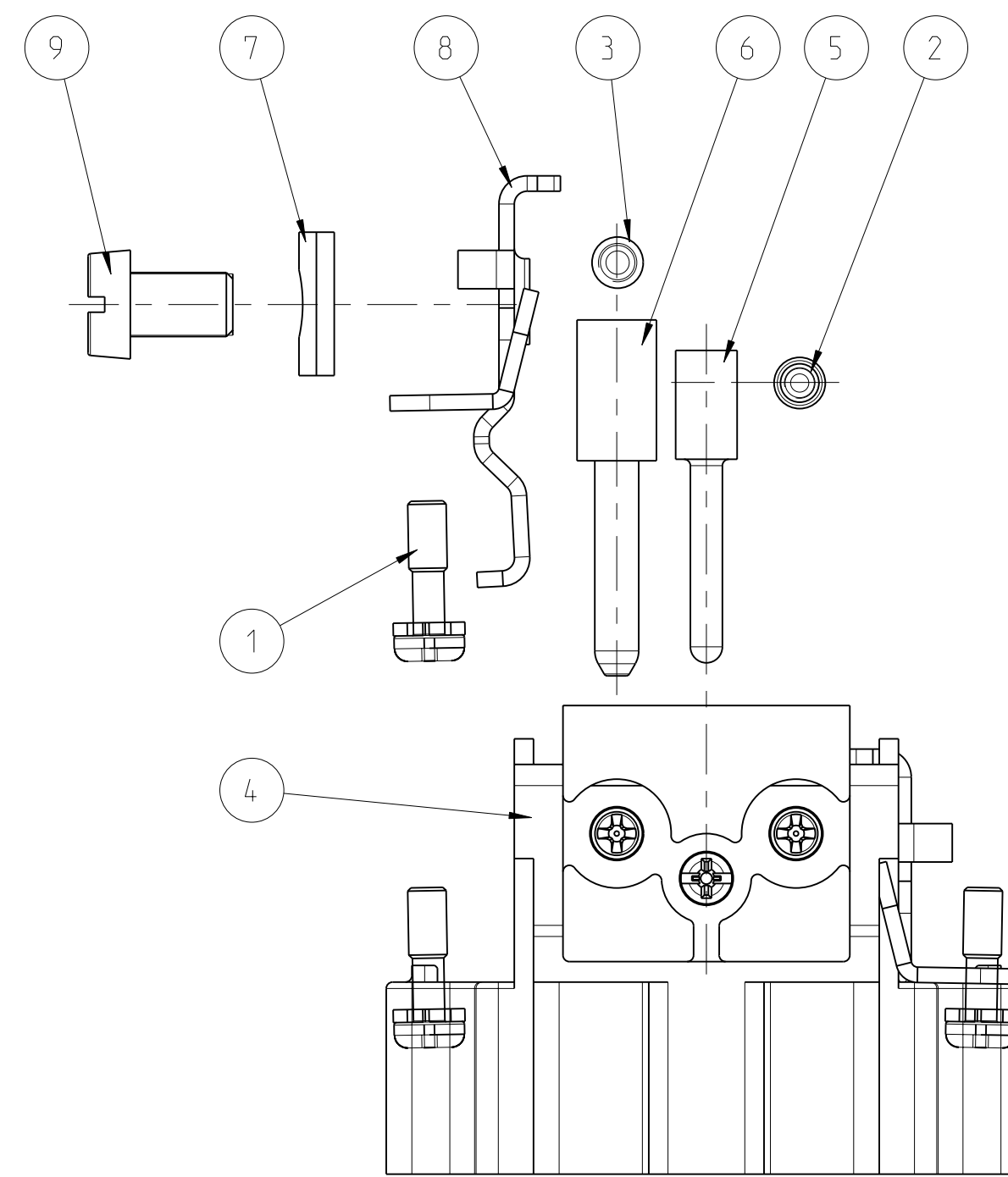
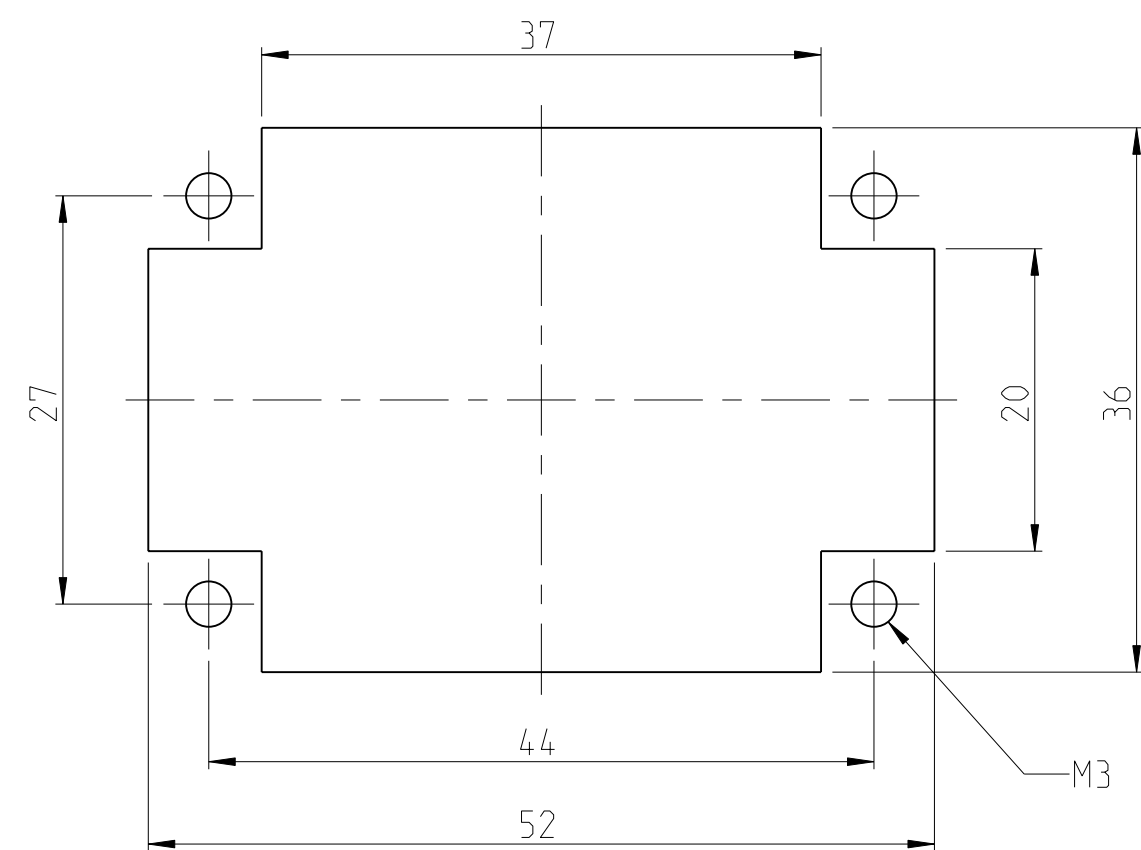
* DISTANCE FOR GUARANTEED CONTACT 19.5 TO 21MM

NOTES

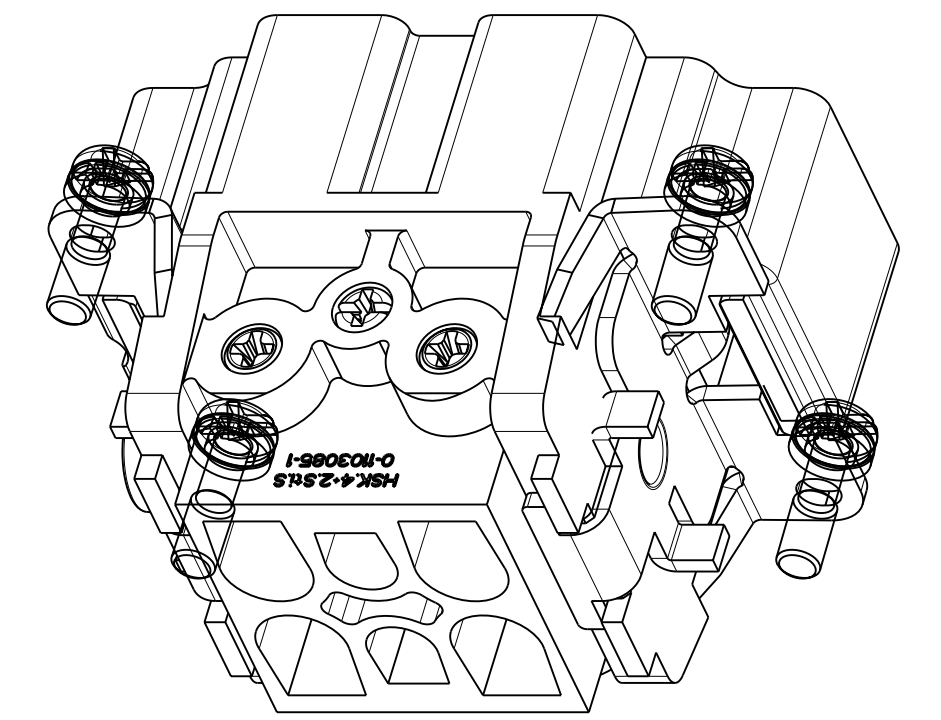
- POVER CONTACT: 1 TO 4
OUTER DIMENSIONS OF INSULATION: MAX. Ø6.4MM
- SIGNAL CONTACT: 11 AND 12
OUTER DIMENSIONS OF INSULATION: MAX. Ø4.9MM
- GRUNDING CONTACT
- SUITABLE HOOD SIZE 3 : SERIES HB, HD, EMV, AND HIP
- STANDARDS:
DIN EN 61984: DIN EN 60664-1
- PACKAGING QUANTITY: 10 PIECES



PANEL CUT-OUT CONTACT INSERT
WHEN USED WITHOUT HOUSING



2:1



QTY.	DESCRIPTION	MATERIAL	SURFACE	COLOR	NOTE	ITEM
1	SCREW	STEEL	NICKEL PLATED	BLUE	DIN EN ISO 1207-M5x8	9
2	WIRE CONTACT	MESSING		BLUE		8
1	CLAMP TAB	STEEL	NICKEL PLATED	BLUE		7
4	PIN CONTACT	BRASS	NICKEL PLATED			6
2	CONTACT PIN	BRASS	SILVER PLATED	BLUE		5
1	MALE INSERT	PC-GV20		LIGHT GREY		4
4	THREAD PIN HSK.4+2	STEEL	NICKEL PLATED	BLUE	M4x8	3
2	CONTACT SCREW	STEEL	NICKEL PLATED	BLUE	M3x5.7	2
4	FIXING SCREW	STEEL	NICKEL PLATED	BLUE	M3x10.5	1
0-1	HSK.4+2.Sti.S					

THIS DRAWING IS A CONTROLLED DOCUMENT.		DWN R.SCHNEIDER	02SEP2010	TE Connectivity
DIMENSIONS: mm		CHK T.SCHNURPEL	02SEP2010	
TOLERANCES UNLESS OTHERWISE SPECIFIED:		APVD		NAME
9 PLC ±0.1 1 PLC ±0.1 2 PLC ±0.1 3 PLC ±0.1 4 PLC ±0.1 ANGLES ±0.5° FINISH		PRODUCT SPEC		FEMALE INSERT ASSY HSK.4+2
MATERIAL		APPLICATION SPEC		SIZE CAGE CODE DRAWING NO
		WEIGHT		A1 00779 C=1103085
		CUSTOMER DRAW ING		RESTRICTED TO
		SCALE 5:1		SHEET 1 OF 1
				REV B1