



Chipsmall Limited consists of a professional team with an average of over 10 year of expertise in the distribution of electronic components. Based in Hongkong, we have already established firm and mutual-benefit business relationships with customers from,Europe,America and south Asia,supplying obsolete and hard-to-find components to meet their specific needs.

With the principle of “Quality Parts,Customers Priority,Honest Operation,and Considerate Service”,our business mainly focus on the distribution of electronic components. Line cards we deal with include Microchip,ALPS,ROHM,Xilinx,Pulse,ON,Everlight and Freescale. Main products comprise IC,Modules,Potentiometer,IC Socket,Relay,Connector.Our parts cover such applications as commercial,industrial, and automotives areas.

We are looking forward to setting up business relationship with you and hope to provide you with the best service and solution. Let us make a better world for our industry!



## Contact us

Tel: +86-755-8981 8866 Fax: +86-755-8427 6832

Email & Skype: info@chipsmall.com Web: www.chipsmall.com

Address: A1208, Overseas Decoration Building, #122 Zhenhua RD., Futian, Shenzhen, China

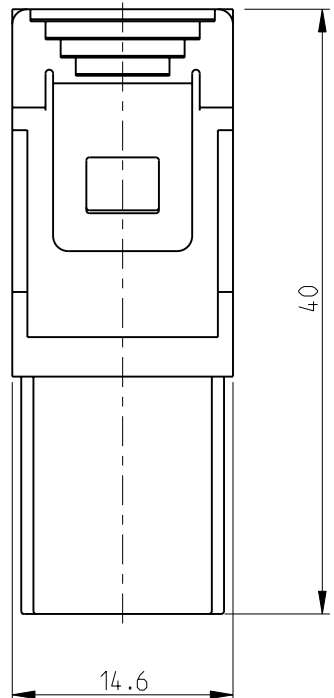
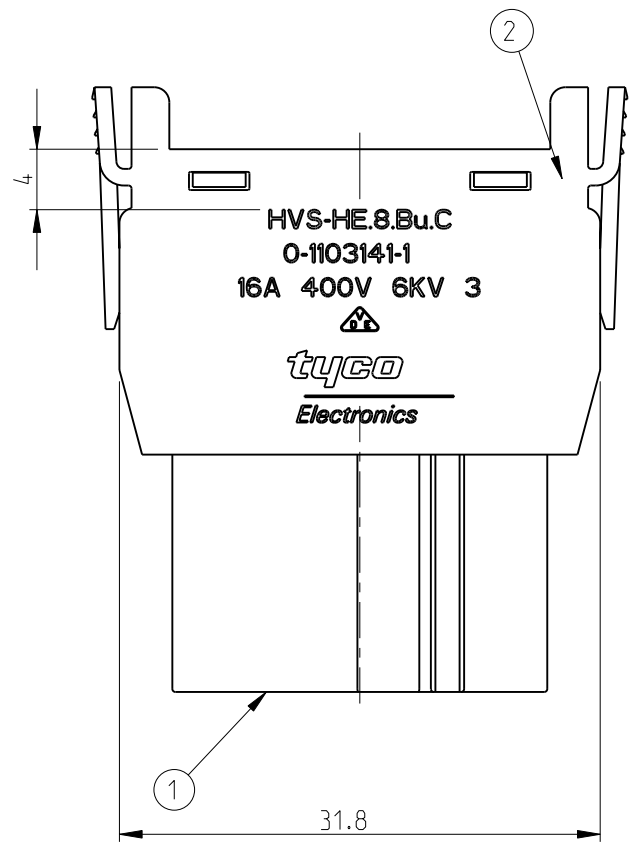
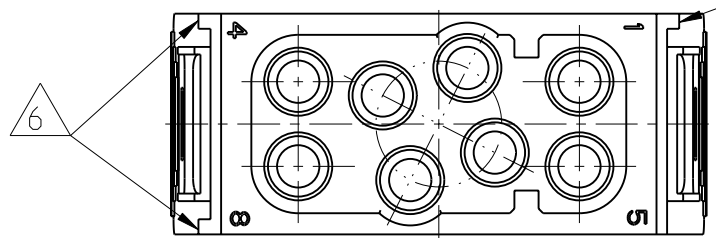


THIS DRAWING IS UNPUBLISHED. RELEASED FOR PUBLICATION 2000  
 © COPYRIGHT 2000 BY TYCO ELECTRONICS CORPORATION. ALL RIGHTS RESERVED.

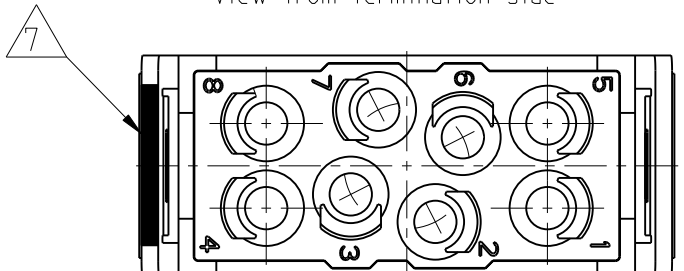
LOC	DIST	REVISIONS					
		P	LTR	DESCRIPTION	DATE	DWN	APVD
A1		B1		ECR-10-022648	02NOV2010	SR	OH

PN 0-1 As Shown

Contact arrangement view from connecting side

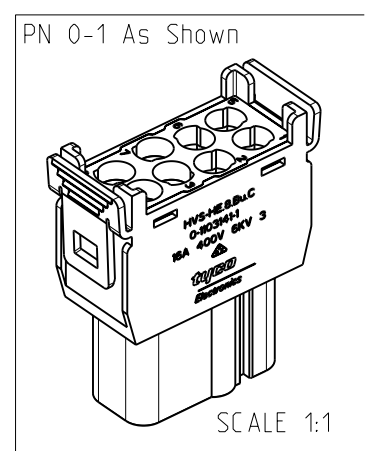


Contact arrangement view from termination side



NOTES

- 1 SUITABLE CRIMP CONTACTS: SERIES HE/HA  
CUSTOMER DRAWING: 1105101  
OUTER DIMENSIONS OF INSULATION: MAX. Ø4.9mm
- 2 SUITABLE MODULE FIXING FRAME: SERIES HVS SIZE 3 TO 8  
CUSTOMER DRAWING: 1103250
- 3 SUITABLE INSERTION TOOL:  
CUSTOMER DRAWING: 0-1102855-6
- 4 SUITABLE EXTRACTION TOOL:  
CUSTOMER DRAWING: 0-1102855-7
- 5 STANDARDS:  
DIN EN 61984; DIN EN 60664-1
- 6 POLARIZATION RIPS
- 7 MARKING OF POLARIZATION ACCORDING TO MARKING OF MODULE FRAME
- 8 PACKAGING:  
10 SETS IN A CARTON, PRE-MOUNTED



QTY	DESCRIPTION	MATERIAL	COLOR	ITEM NO
1	FEMALE INSERT HVS-HE.8	PC-GF20	LIGHT GREY	1
1	COVER FOR FEMALE INSERT	PC-GF20	LIGHT GREY	2
PN 0-1 / HVS-HE.8.BU.C				

THIS DRAWING IS A CONTROLLED DOCUMENT FOR TYCO ELECTRONICS CORPORATION IT IS SUBJECT TO CHANGE AND THE CONTROLLING ENGINEERING ORGANIZATION SHOULD BE CONTACTED FOR THE LATEST REVISION.		DWN 24.08.2005 <b>M.SCHWEIGER</b> CHK 23.08.2005 <b>T.SCHNURPFEL</b> APVD		Tyco Electronics AMP GmbH 53757 Sankt Augustin, Germany	
DIMENSIONS: mm		TOLERANCES UNLESS OTHERWISE SPECIFIED: ISO 8075 DIN 150.2768 mh-E DIN 15901-120		NAME <b>FEMALE INSERT ASSY          HVS-HE.8.BU.C</b>	
		0 PLC ± 1 PLC ± 2 PLC ± 3 PLC ± 4 PLC ± ANGLES ±		PRODUCT SPEC 108-74073 APPLICATION SPEC 114-74073	
MATERIAL 		FINISH 		SIZE CAGE CODE DRAWING NO RESTRICTED TO <b>A3 00779 C=1103141</b>	
CUSTOMER DRAWING				SCALE 2:1 SHEET 1 OF 1 REV B1	