



Chipsmall Limited consists of a professional team with an average of over 10 year of expertise in the distribution of electronic components. Based in Hongkong, we have already established firm and mutual-benefit business relationships with customers from,Europe,America and south Asia,supplying obsolete and hard-to-find components to meet their specific needs.

With the principle of “Quality Parts,Customers Priority,Honest Operation,and Considerate Service”,our business mainly focus on the distribution of electronic components. Line cards we deal with include Microchip,ALPS,ROHM,Xilinx,Pulse,ON,Everlight and Freescale. Main products comprise IC,Modules,Potentiometer,IC Socket,Relay,Connector.Our parts cover such applications as commercial,industrial, and automotives areas.

We are looking forward to setting up business relationship with you and hope to provide you with the best service and solution. Let us make a better world for our industry!



Contact us

Tel: +86-755-8981 8866 Fax: +86-755-8427 6832

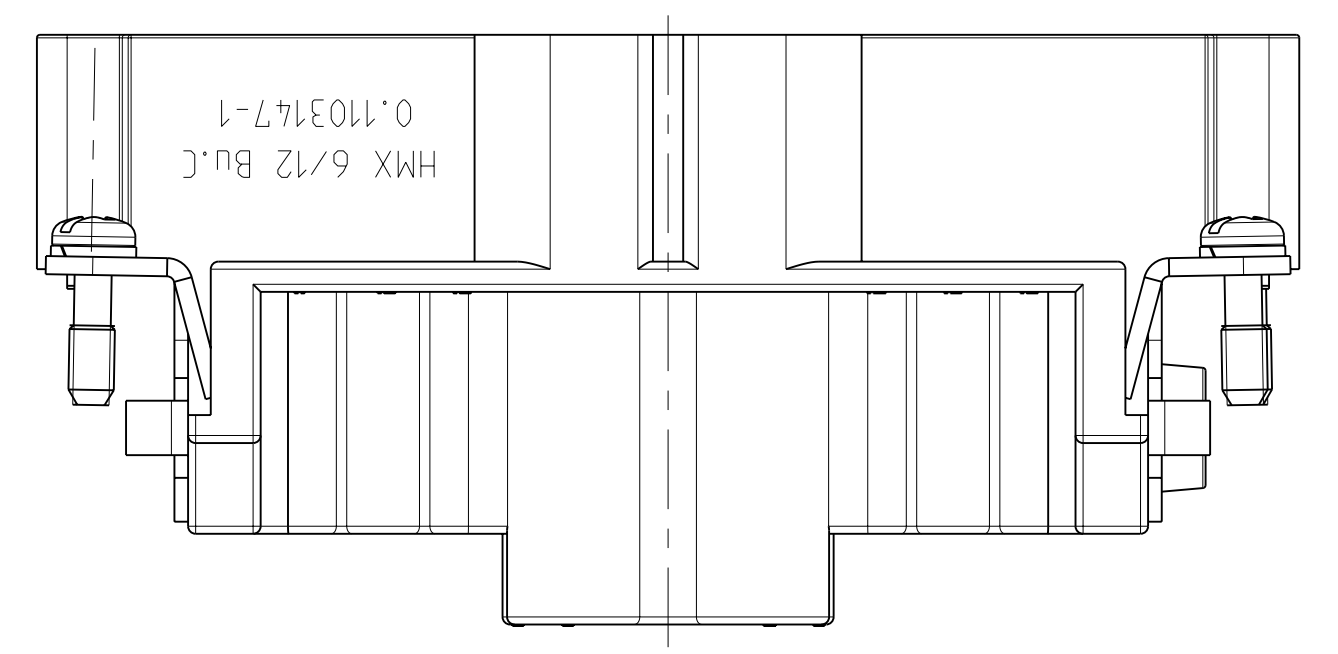
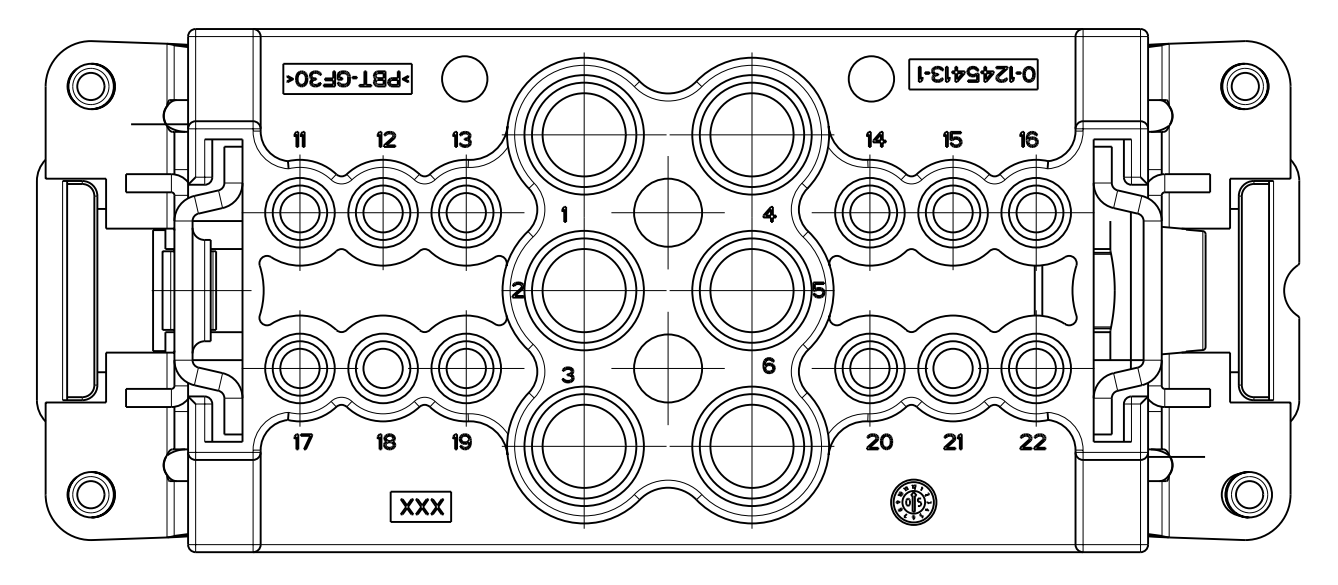
Email & Skype: info@chipsmall.com Web: www.chipsmall.com

Address: A1208, Overseas Decoration Building, #122 Zhenhua RD., Futian, Shenzhen, China

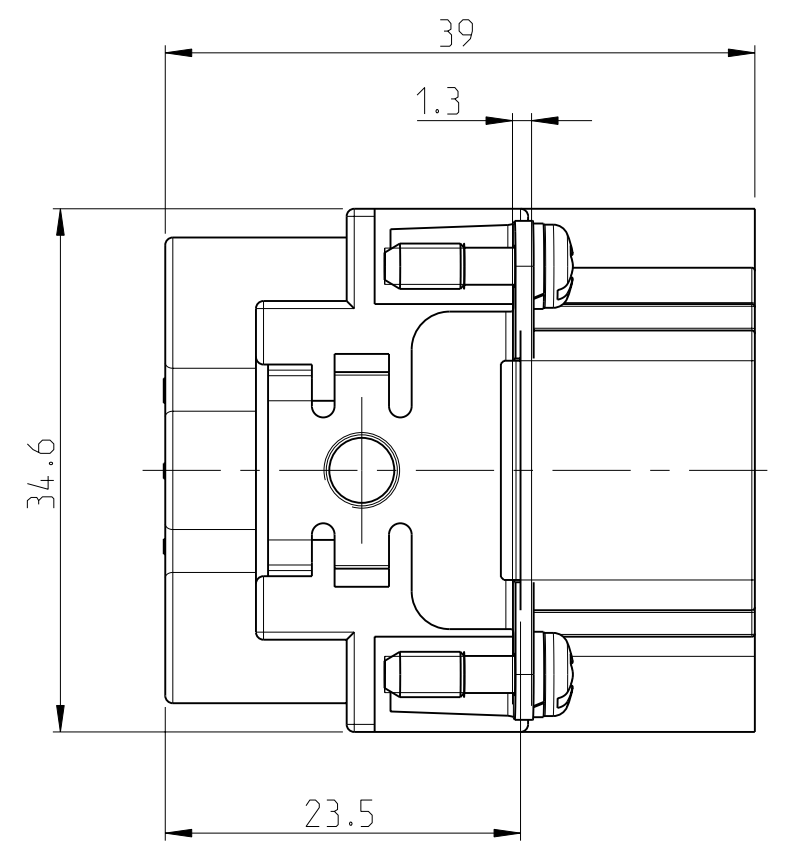
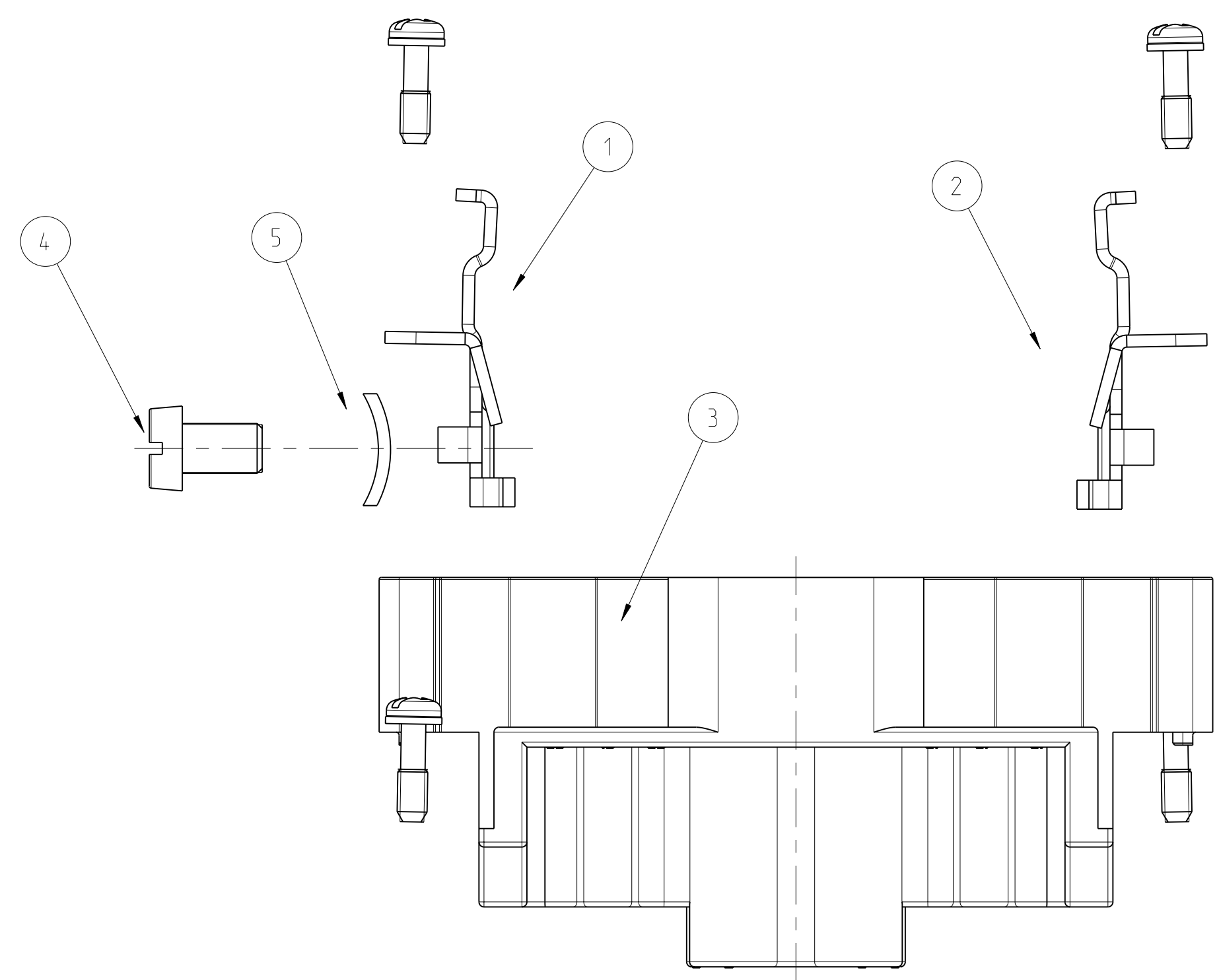
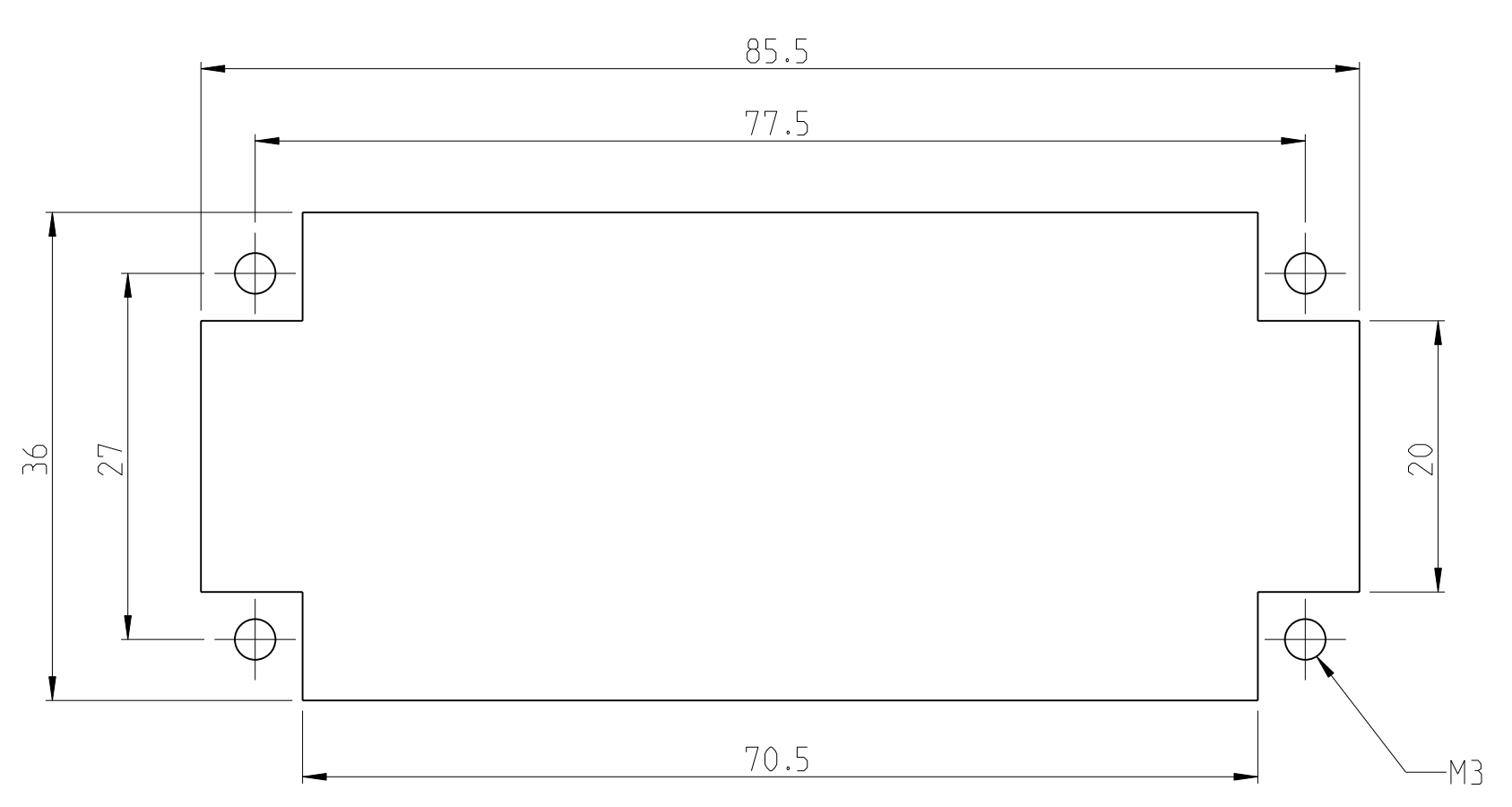
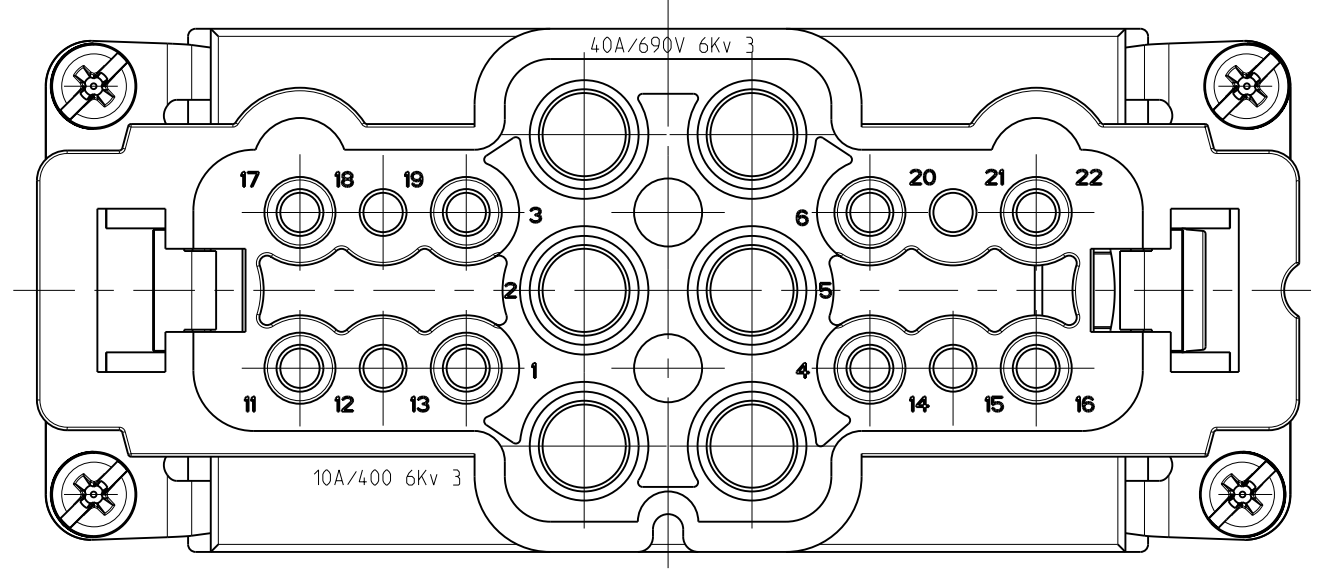


LOC	DIST	REV	DATE	BY	APPV
A1	-	C1	03FEB2010	SR	EM

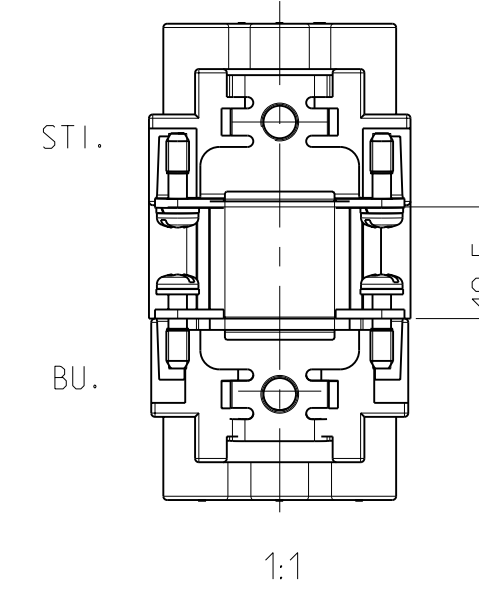
CONTACT ARRANGEMENT VIEW FROM TERMINATION SIDE



CONTACT ARRANGEMENT VIEW FROM CONNECTING SIDE

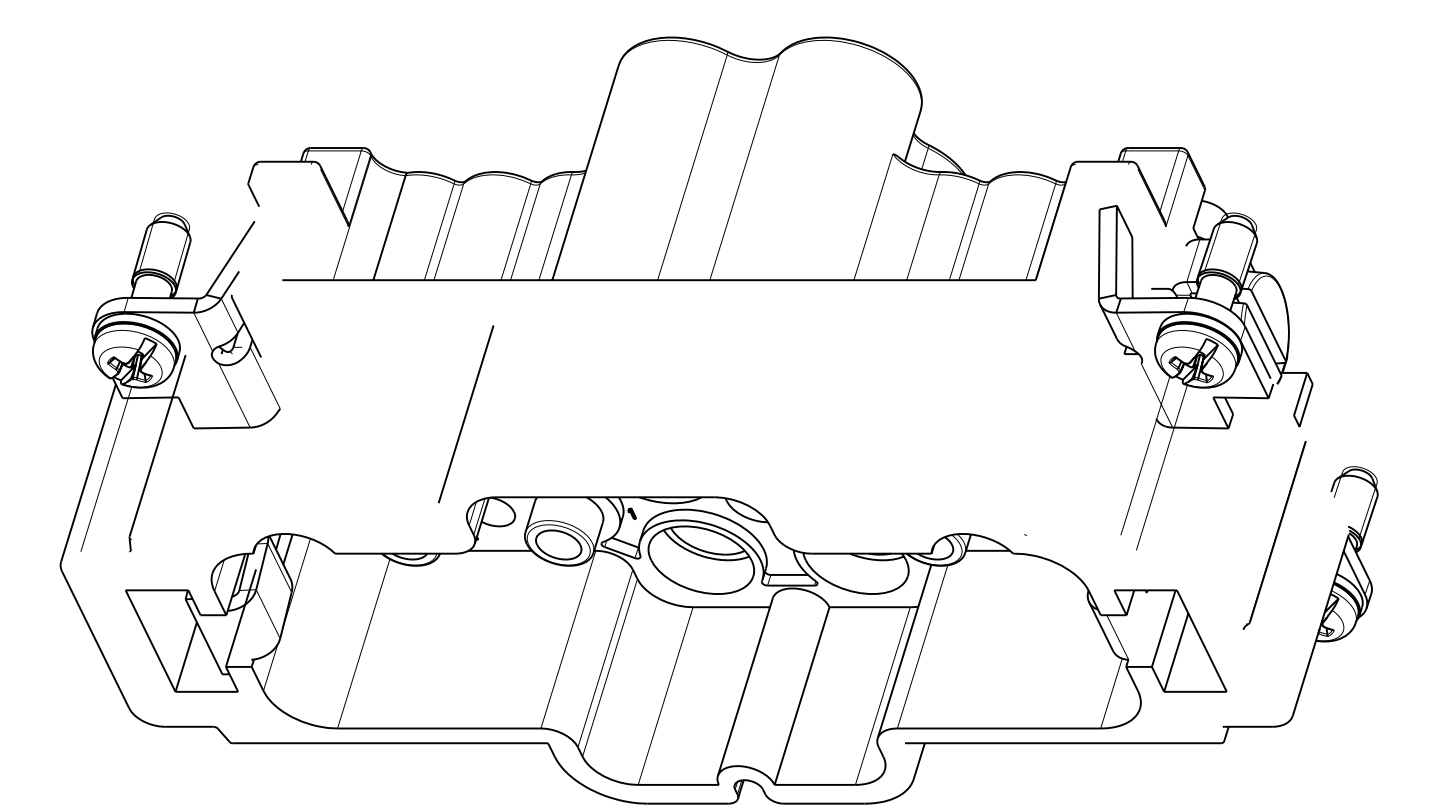


*DISTANCE FOR QUARANTEED CONTACT
21mm MAX.



NOTES

- POWER CONTACT: 1 TO 6
 OUTER DIMENSIONS OF INSUATION: MAX. 6,5MM
 SIGNAL CONTACT: 11 TO 22
 OUTER DIMENSIONS OF INSUATION: MAX. 3,2MM
- SUITABLE HOOD SIZE 6
 SERIES HB, HD, EMV,
- STANDARDS:
 DIN EN 61984; DIN EN 60664-1
- PACKAGING:
 5 PIECES IN A CARTON BOX



QTY	DESCRIPTION	MATERIAL	SURFACE	ITEM
5	CLIP TAB	STEEL	NICKEL PLATED	5
4	CYLINDER SCREW, M5	STEEL	NICKEL PLATED	4
3	PIN HOUSING	VALOX 420SE0	VDI 3400-24	3
2	GRINDING CONTACT-SOCKET	Cu Zn37 F38	Cu/Ni 5b	2
1	FIXING SCREW ASSY	St.8.8	Ni	1
0-1				

THIS DRAWING IS A CONTROLLED DOCUMENT. DWN: R.SCHNEIDER 03FEB2010
 CHV: T.SCHNURPELL 03FEB2010
 APVD: -

STE TE Connectivity

NAME: PIN INSERT HMX 6/12 Sti.C
 HMX 6/12 Sti.C

PRODUCT SPEC: -
 APPLICATION SPEC: -

SIZE: A1 CAGE CODE: 00779 DRAWING NO: C=1103146 RESTRICTED TO: -

MATERIAL: - FINISH: - WEIGHT: - CUSTOMER DRAW ING: - SCALE: 5:1 SHEET: 1 OF 1 REV: C1