



Chipsmall Limited consists of a professional team with an average of over 10 year of expertise in the distribution of electronic components. Based in Hongkong, we have already established firm and mutual-benefit business relationships with customers from,Europe,America and south Asia,supplying obsolete and hard-to-find components to meet their specific needs.

With the principle of “Quality Parts,Customers Priority,Honest Operation,and Considerate Service”,our business mainly focus on the distribution of electronic components. Line cards we deal with include Microchip,ALPS,ROHM,Xilinx,Pulse,ON,Everlight and Freescale. Main products comprise IC,Modules,Potentiometer,IC Socket,Relay,Connector.Our parts cover such applications as commercial,industrial, and automotives areas.

We are looking forward to setting up business relationship with you and hope to provide you with the best service and solution. Let us make a better world for our industry!



Contact us

Tel: +86-755-8981 8866 Fax: +86-755-8427 6832

Email & Skype: info@chipsmall.com Web: www.chipsmall.com

Address: A1208, Overseas Decoration Building, #122 Zhenhua RD., Futian, Shenzhen, China



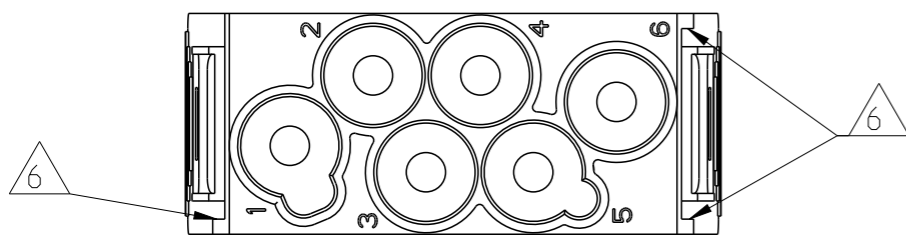
LOC
AI

DIST

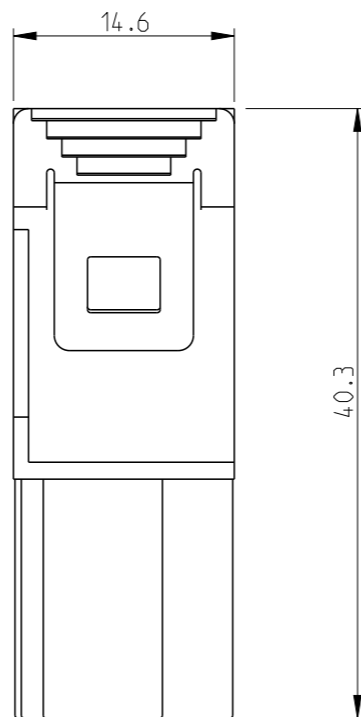
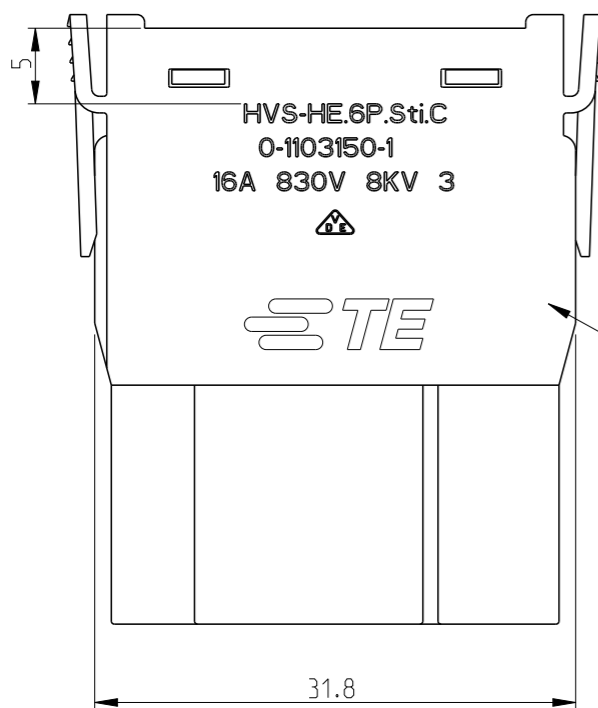
REVISIONS

P	LTR	DESCRIPTION	DATE	DWN	APVD
	C	ECR-15-007536	30MAY2015	GSK	JB

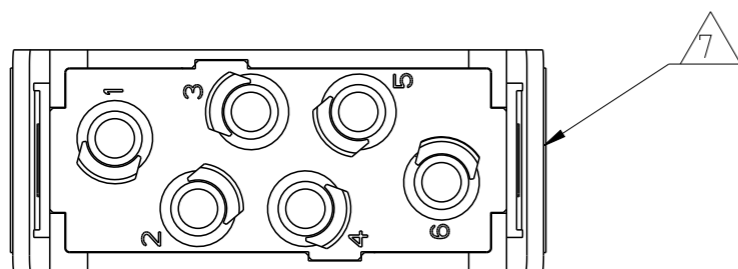
PN 0-1 As Shown
Contact arrangement
view from connecting side



Lateral Print



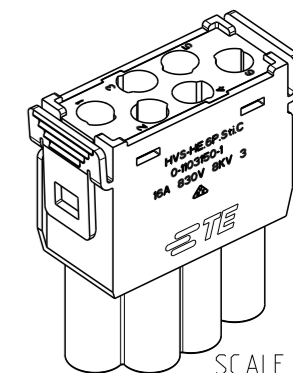
Contact arrangement
view from termination side



NOTES

- 1 SUITABLE CRIMP CONTACTS: SERIES HE/HA
CUSTOMER DRAWING: 1105100
OUTER DIMENSIONS OF INSULATION: MAX. Ø4.9mm
- 2 SUITABLE MODULE FIXING FRAME: SERIES HVS SIZE 3 TO 8
CUSTOMER DRAWING: 1103250
- 3 SUITABLE INSERTION TOOL:
CUSTOMER DRAWING: 0-1102855-6
- 4 SUITABLE EXTRACTION TOOL:
CUSTOMER DRAWING: 0-1102855-7
- 5 STANDARDS:
DIN EN 61984; DIN EN 60664-1
- 6 POLARIZATION RIPS
- 7 MARKING OF POLARIZATION ACCORDING TO MARKING OF
MODULE FRAME
- 8 PACKAGING:
10 SETS IN A CARTON, PRE-MOUNTED

PN 0-1 As Shown



QTY	DESCRIPTION	MATERIAL	SURFACE	COLOR	ITEM
1	MALE INSERT	PBT-GF10		LIGHT GREY	1
1	COVER FOR MALE INSERT	PBT-GF15		LIGHT GREY	2

HVS-HE.6P.Sti.C

THIS DRAWING IS A CONTROLLED DOCUMENT.

DIMENSIONS: mm	TOLERANCES UNLESS OTHERWISE SPECIFIED: ISO 8075 DIN ISO 2768 mH-E DIN 16901-120
	0 PLC ± 1 PLC ± 2 PLC ± 3 PLC ± 4 PLC ± ANGLES ±
MATERIAL	FINISH
9	10

DWN	M.SCHWEIGER	12.10.2005
CHK	T.SCHNURPFIL	13.10.2005
APVD	T.SCHNURPFIL	13.10.2005
PRODUCT SPEC	108-74054	
APPLICATION SPEC	114-74073	
WEIGHT		

TE Connectivity				NAME	
				MALE INSERT HVS-HE.6P.STI.C	
SIZE	CAGE CODE	DRAWING NO	RESTRICTED TO		
A3	00779	C-1103150			
CUSTOMER DRAWING			SCALE	SHEET	REV
			2:1	1 OF 1	C