



Chipsmall Limited consists of a professional team with an average of over 10 year of expertise in the distribution of electronic components. Based in Hongkong, we have already established firm and mutual-benefit business relationships with customers from,Europe,America and south Asia,supplying obsolete and hard-to-find components to meet their specific needs.

With the principle of “Quality Parts,Customers Priority,Honest Operation,and Considerate Service”,our business mainly focus on the distribution of electronic components. Line cards we deal with include Microchip,ALPS,ROHM,Xilinx,Pulse,ON,Everlight and Freescale. Main products comprise IC,Modules,Potentiometer,IC Socket,Relay,Connector.Our parts cover such applications as commercial,industrial, and automotives areas.

We are looking forward to setting up business relationship with you and hope to provide you with the best service and solution. Let us make a better world for our industry!



## Contact us

Tel: +86-755-8981 8866 Fax: +86-755-8427 6832

Email & Skype: info@chipsmall.com Web: www.chipsmall.com

Address: A1208, Overseas Decoration Building, #122 Zhenhua RD., Futian, Shenzhen, China



THIS DRAWING IS UNPUBLISHED.

RELEASED FOR PUBLICATION

1997

© COPYRIGHT 1997

ALL RIGHTS RESERVED.

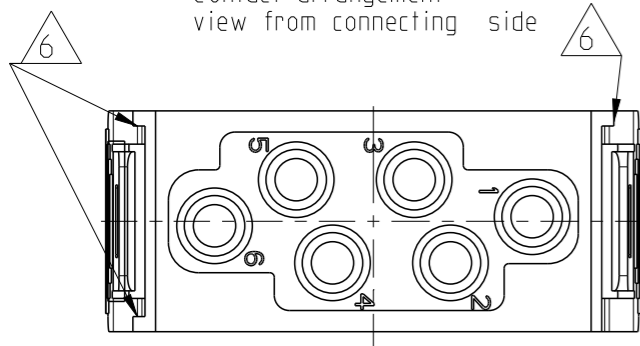
LOC  
A1

DIST

REVISIONS

P	LTR	DESCRIPTION	DATE	DWN	APVD
	C	ECR-15-007490	08JUN2015	GSK	JB

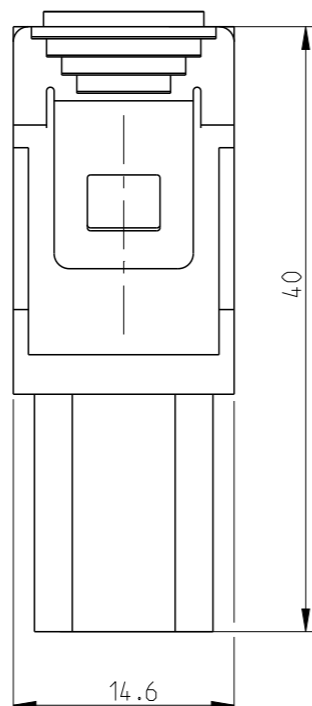
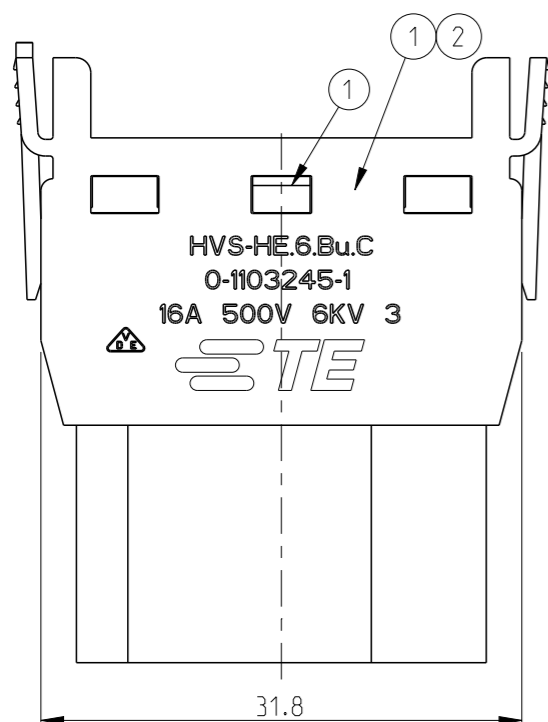
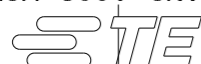
Contact arrangement view from connecting side



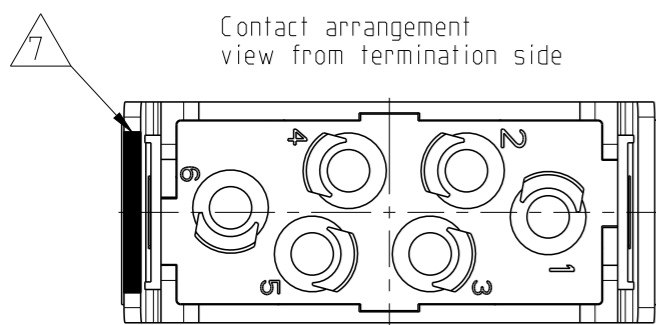
NOTES

- 1 SUITABLE CRIMP CONTACTS: SERIES HE  
CUSTOMER DRAWING: 1105101  
OUTER DIMENSIONS OF INSULATION: MAX. Ø4.9mm
- 2 SUITABLE MODULE FIXING FRAME: SERIES HVS SIZE 3 TO 8  
CUSTOMER DRAWING: 1103250
- 3 SUITABLE INSERTION TOOL:  
CUSTOMER DRAWING: 0-1102855-6
- 4 SUITABLE EXTRACTION TOOL:  
CUSTOMER DRAWING: 0-1102855-7
- 5 STANDARDS:  
DIN EN 61984; DIN EN 60664-1
- 6 POLARIZATION RIPS
- 7 MARKING OF POLARIZATION ACCORDING TO MARKING OF MODULE FRAME
- 8 PACKAGING:  
10 SETS IN A CARTON, PRE-MOUNTED

HVS-HE.6.Bu.C  
0-1103245-1  
16A 500V 6KV 3



Contact arrangement view from termination side



QTY	DESCRIPTON	MATERIAL	COLOR	NOTE	ITEM
1	COVER FOR FEMALE INSERT HVS-HE.6.Bu-DE	PBT-GF15	LIGHT GREY		2
1	FEMALE INSERT HVS-HE.6	PBT-GF10	LIGHT GREY		1

THIS DRAWING IS A CONTROLLED DOCUMENT.

DIMENSIONS: mm	TOLERANCES UNLESS OTHERWISE SPECIFIED: ISO 8075 DIN 150 2768 mh-E DIN 16901-120
	0 PLC ± 1 PLC ± 2 PLC ± 3 PLC ± 4 PLC ± ANGLES ±
MATERIAL	FINISH

DWN 24.05.2005  
M.SCHWEIGER  
CHK 22.05.2005  
T.SCHNURPFIL  
APVD 20.12.2006  
T.SCHNURPFIL  
PRODUCT SPEC

NAME		FEMALE INSERT HVS-HE.6.BU.C	
SIZE	CAGE CODE	DRAWING NO	RESTRICTED TO
A3	00779	0-1103245	



CUSTOMER DRAWING SCALE 2:1 SHEET 1 OF 1 REV C