



Chipsmall Limited consists of a professional team with an average of over 10 year of expertise in the distribution of electronic components. Based in Hongkong, we have already established firm and mutual-benefit business relationships with customers from,Europe,America and south Asia,supplying obsolete and hard-to-find components to meet their specific needs.

With the principle of “Quality Parts,Customers Priority,Honest Operation,and Considerate Service”,our business mainly focus on the distribution of electronic components. Line cards we deal with include Microchip,ALPS,ROHM,Xilinx,Pulse,ON,Everlight and Freescale. Main products comprise IC,Modules,Potentiometer,IC Socket,Relay,Connector.Our parts cover such applications as commercial,industrial, and automotives areas.

We are looking forward to setting up business relationship with you and hope to provide you with the best service and solution. Let us make a better world for our industry!



Contact us

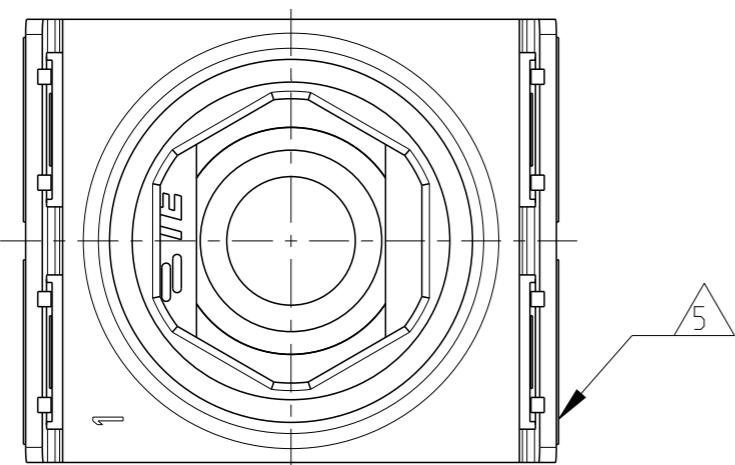
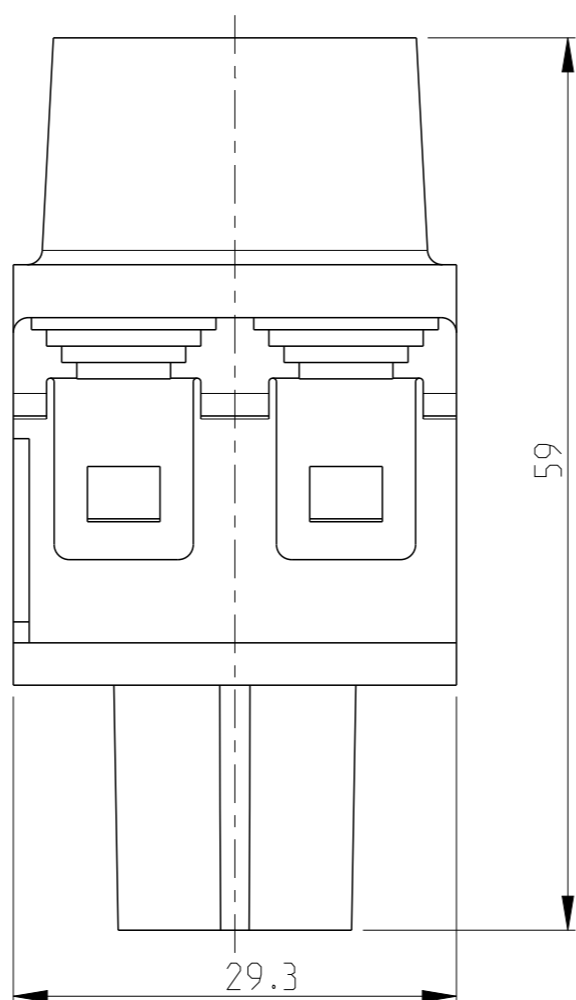
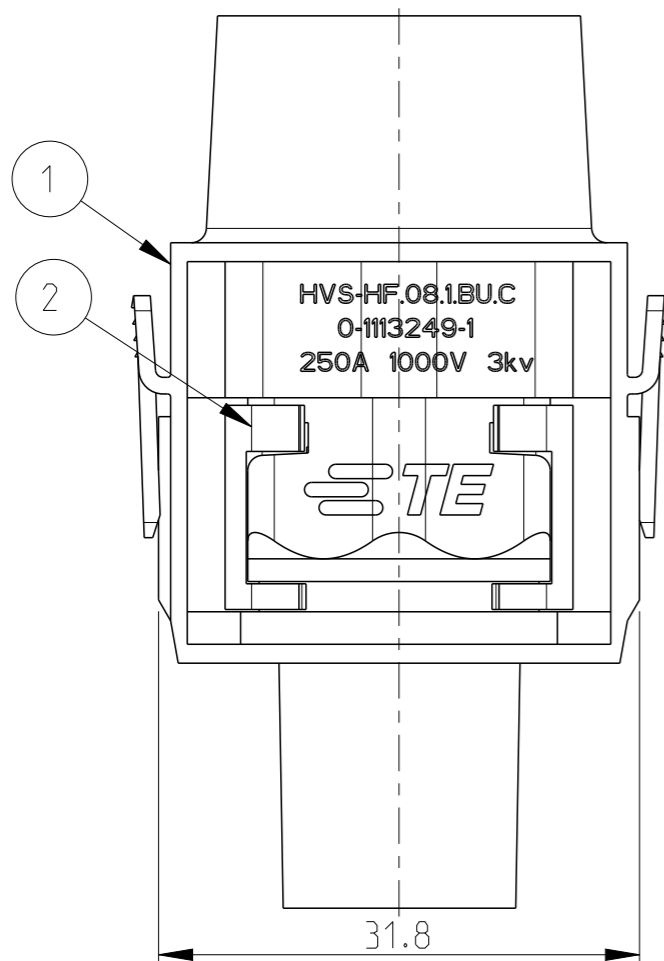
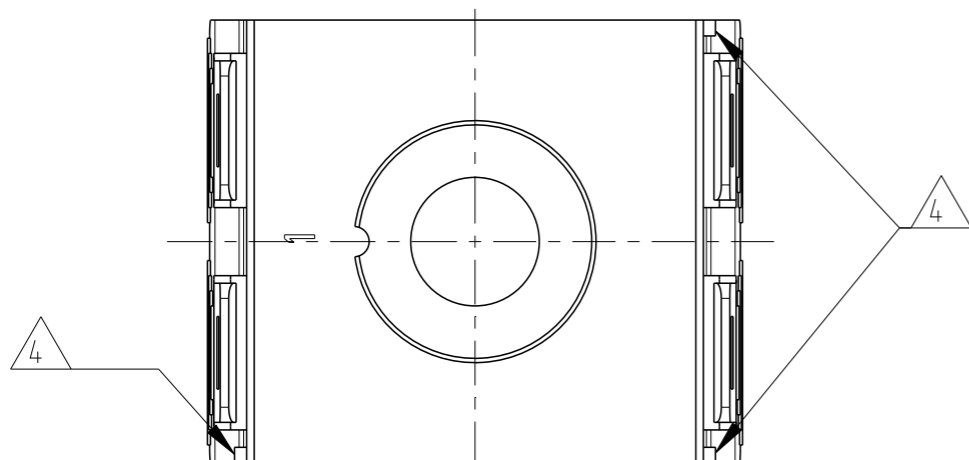
Tel: +86-755-8981 8866 Fax: +86-755-8427 6832

Email & Skype: info@chipsmall.com Web: www.chipsmall.com

Address: A1208, Overseas Decoration Building, #122 Zhenhua RD., Futian, Shenzhen, China



CONTACT ARRANGEMENT VIEW FROM CONNECTING SIDE

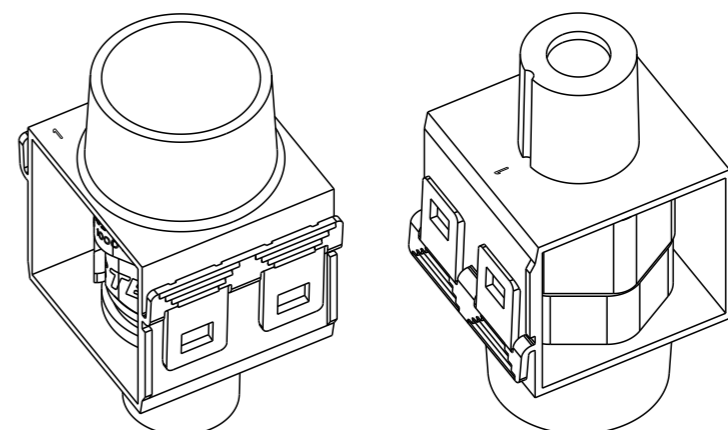


CONTACT ARRANGEMENT VIEW FROM TERMINATION SIDE

LOC	DIST	REVISIONS				
P	LTR	DESCRIPTION	DATE	DWN	APVD	
A1	-	B1	ECR-10-021590	25.10.2010	SR	OH
		B2	ECR-11-013031	22JUN2011	SR	AP
		C	ECR-15-007331	15MAY2015	GSK	JB

NOTES


- 1 SUITABLE CRIMP CONTACTS: SERIES HF8
CUSTOMER DRAWING: 1103038: 1103038-1
- 2 SUITABLE CRIMP BARRELS: SERIES HF.06/08
CUSTOMER DRAWING: 1110952
OUTER DIMENSIONS OF WIRE: MAX. Ø18.5mm
- 3 SUITABLE MODULE FIXING FRAME: SERIES HVS SIZE 3 TO 8
CUSTOMER DRAWING: 1103250
- 4 POLARIZATION RIBS
- 5 MARKING OF POLARIZATION ACCORDING TO MARKING OF MODULE FRAME
- 6 PACKAGING:
10 PIECES IN A CARTON, PRE MOUNTED



QTY	DESCRIPTION	MATERIAL	COLOR	ITEM NO
1	FIXING CLIP	PA66 - GF25	BLACK	2
1	FEMALE INSERT	PBT - GF10	LIGHT GREY	1

PN 0-1 AS SHOWN

HVS.HF.08.1.BU.C

THIS DRAWING IS A CONTROLLED DOCUMENT.		DWN 16.02.2006 SCHNEIDER	 TE Connectivity	
DIMENSIONS: mm		CHK 17.02.2006 H.BRAUN		
TOLERANCES UNLESS OTHERWISE SPECIFIED:		APVD 17.02.2006 T.SCHNURPFIL	NAME FEMALE INSERT HVS-HF.08.1.BU.C	
0 PLC 1 PLC 2 PLC 3 PLC 4 PLC ANGLES ±1°		PRODUCT SPEC 108-74044	SIZE A3	
MATERIAL		APPLICATION SPEC 114-74079	CAGE CODE 00779	DRAWING NO C=1103249
FINISH		WEIGHT -	RESTRICTED TO -	
CUSTOMER DRAWING		SCALE 5:1		SHEET 1 OF 1