



Chipsmall Limited consists of a professional team with an average of over 10 year of expertise in the distribution of electronic components. Based in Hongkong, we have already established firm and mutual-benefit business relationships with customers from,Europe,America and south Asia,supplying obsolete and hard-to-find components to meet their specific needs.

With the principle of "Quality Parts,Customers Priority,Honest Operation,and Considerate Service",our business mainly focus on the distribution of electronic components. Line cards we deal with include Microchip,ALPS,ROHM,Xilinx,Pulse,ON,Everlight and Freescale. Main products comprise IC,Modules,Potentiometer,IC Socket,Relay,Connector.Our parts cover such applications as commercial,industrial, and automotives areas.

We are looking forward to setting up business relationship with you and hope to provide you with the best service and solution. Let us make a better world for our industry!



Contact us

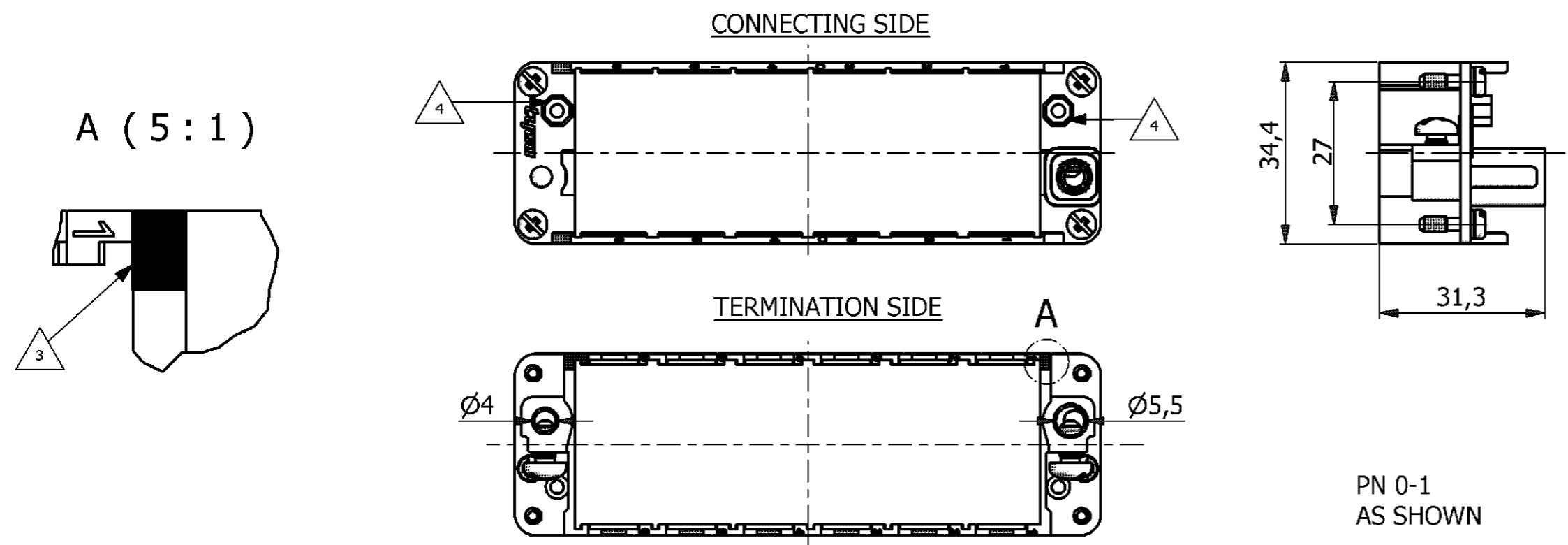
Tel: +86-755-8981 8866 Fax: +86-755-8427 6832

Email & Skype: info@chipsmall.com Web: www.chipsmall.com

Address: A1208, Overseas Decoration Building, #122 Zhenhua RD., Futian, Shenzhen, China

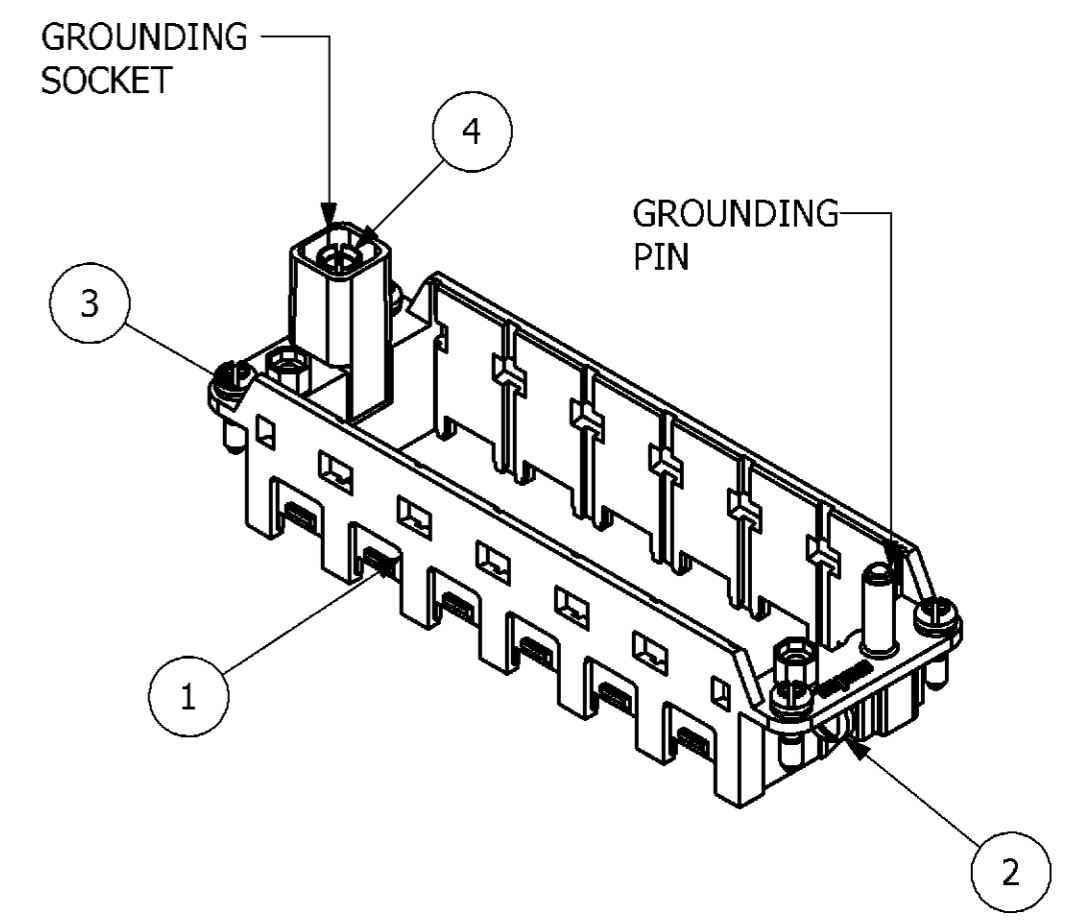
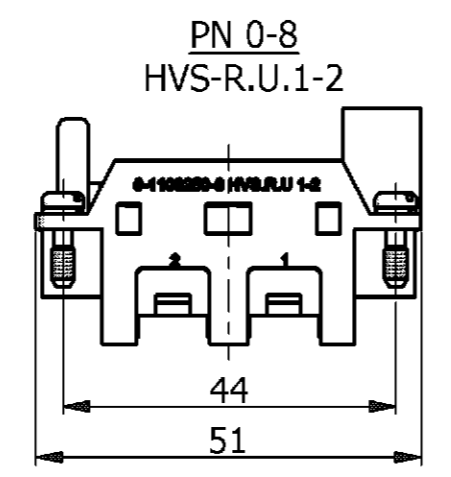
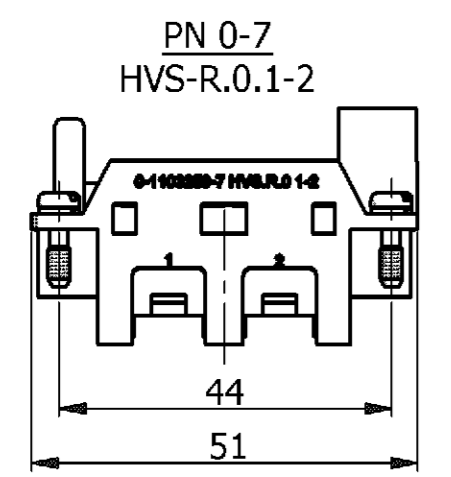
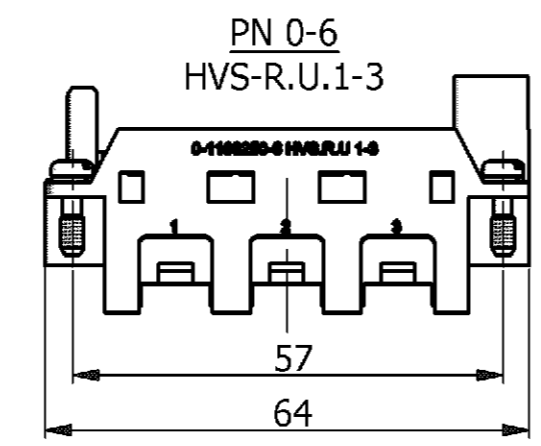
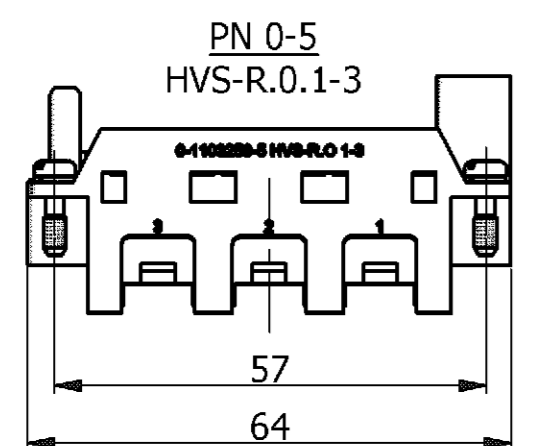
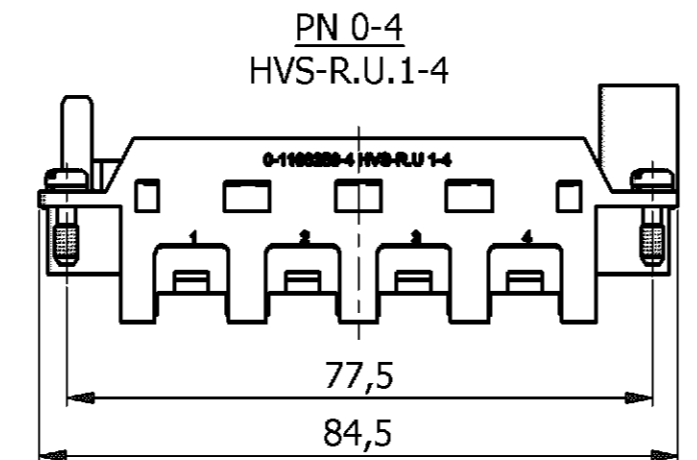
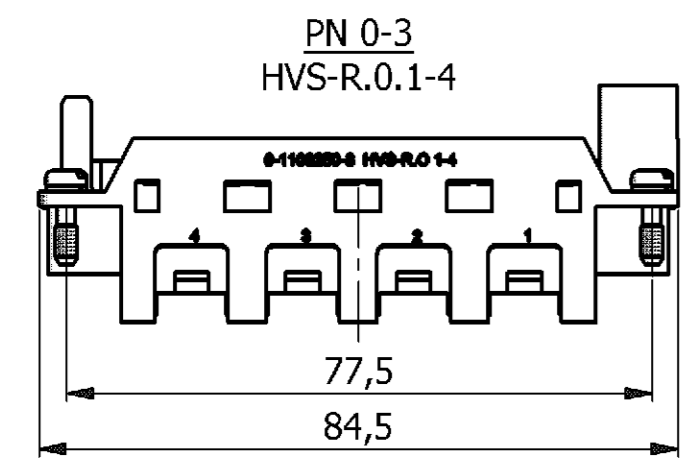
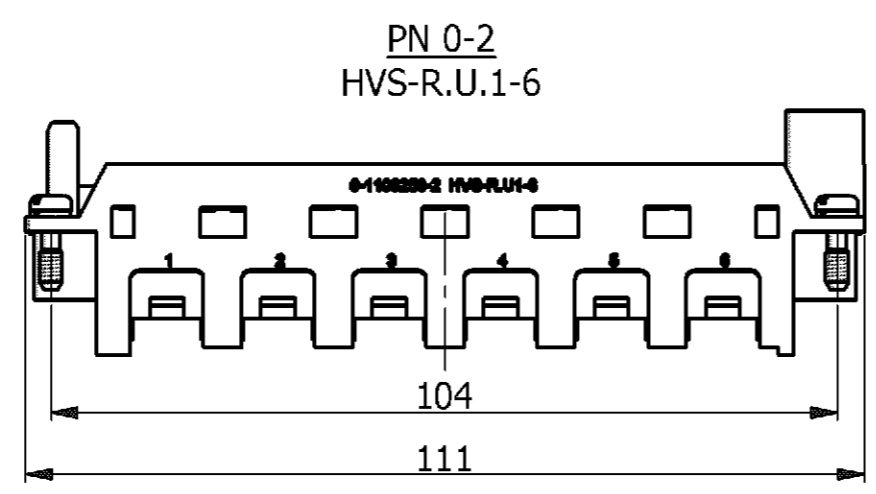
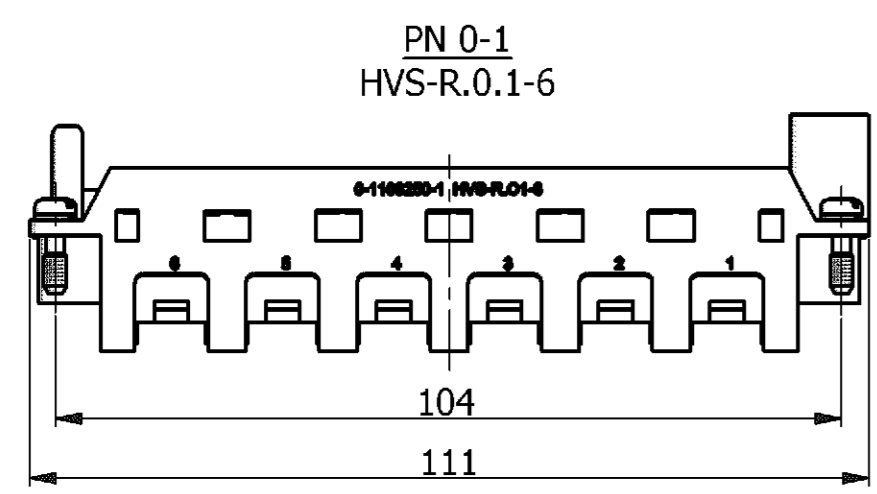


LOC	DIST	REVISIONS ÄNDERUNGEN			DATE	DWN	APVD
AI	-	P	LTR	DESCRIPTION BESCHREIBUNG			
PROJEKT NR. EGGMN04410	B1			DRAWING REWORKED ECR-012713	30.05.2007	GW	BR



NOTES

- MODUL INSERTS: SERIES HVS SEE CATALOG PN: 889745
- SUITABLE HOOD SIZE 3 TO 8: SERIES HB; HD; EMV; HF AND HIP CATALOG PN: 889745
- MARKING OF POLARIZATION ACCORDING TO MARKINGS OF MODULE INSERTS
- POSITION FOR CODING SET PN: 530341-1
- PACKAGING: 10 SETS IN A CARTON, PRE MOUNTED



QTY.	DESCRIPTION	MATERIAL	SURFACE	COLOR	NOTE	ITEM
1	TORSION SPRING	STAINL. STEEL	---	---	DIA 6.6X0.5 - 2.5 WDG.	4
4	FIXING SCREW	STEEL	NICKEL PLATED	BLUE	M3X10,5	3
2	PAN HEAD SCREW	STEEL	NICKEL PLATED	---	M4*8	2
1	FRAME	ZINC	NICKEL PLATED	---	---	1

THIS DRAWING IS A CONTROLLED DOCUMENT FOR AMP INCORPORATED. IT IS SUBJECT TO CHANGE AND THE CONTROLLING ENGINEERING ORGANIZATION SHOULD BE CONTACTED FOR THE LATEST REVISION. DIESSE TECHNISCHE ZEICHNUNG WIRD REGELMÄSSIG UND FÜR VERÄNDERUNGEN ANGEKÜRDT. DIESE VERÄNDERUNGEN SIND VORBEREITET UND VERTEILT. DIE JEDWELCHE LETZTLIEGENDE ABÄNDERUNGSSTAND BEFOLGEN SIE AUF ANFRAGE.

TOLERANCES UNLESS OTHERWISE SPECIFIED:
ALLGEMEINTOLERANZEN:
n. ISO 8015 - mm
n. ISO 2768 - mH-E
n. DIN 16901-#

0 PLC #
1 PLC #
2 PLC #
3 PLC #
ANGLES / WINKEL #

DWN 16.02.2006
CHK H.BRAUN 17.02.2006
APVD T.SCHNURPFEL 17.02.2006

NAME
Tyco Electronics
Tyco / Electronics AMP GmbH
D - 53819 Neunkirchen

PRODUCT SPEC. / PRODUKTSPEZ. 108-74075
APPLICATION SPEC. / VERARBEITUNGSSPEZ. 114-74080

ASSY MODULE FRAME
SERIES HVS, SIZE 1-4

WEIGHT / GEWICHT 0,001 KG
SCALE / MASSSTAB 1:1

DRAWING NO. / ZEICHNUNGS-NR. 1103250

SHEET / BLATT 1 OF 1 VON 1

RESTRICTED TO NUR FÜR

CUSTOMER DRAWING / KUNDENZEICHNUNG

REV. B1