



Chipsmall Limited consists of a professional team with an average of over 10 year of expertise in the distribution of electronic components. Based in Hongkong, we have already established firm and mutual-benefit business relationships with customers from,Europe,America and south Asia,supplying obsolete and hard-to-find components to meet their specific needs.

With the principle of “Quality Parts,Customers Priority,Honest Operation,and Considerate Service”,our business mainly focus on the distribution of electronic components. Line cards we deal with include Microchip,ALPS,ROHM,Xilinx,Pulse,ON,Everlight and Freescale. Main products comprise IC,Modules,Potentiometer,IC Socket,Relay,Connector.Our parts cover such applications as commercial,industrial, and automotives areas.

We are looking forward to setting up business relationship with you and hope to provide you with the best service and solution. Let us make a better world for our industry!



Contact us

Tel: +86-755-8981 8866 Fax: +86-755-8427 6832

Email & Skype: info@chipsmall.com Web: www.chipsmall.com

Address: A1208, Overseas Decoration Building, #122 Zhenhua RD., Futian, Shenzhen, China



THIS DRAWING IS UNPUBLISHED.
VERTRAULICHE UNVEREFFENTLICHTE ZEICHNUNG

RELEASED FOR PUBLICATION
FREI FUER VEREFFENTLICHUNG
ALL RIGHTS RESERVED.
ALLE RECHTE VORBEHALTEN

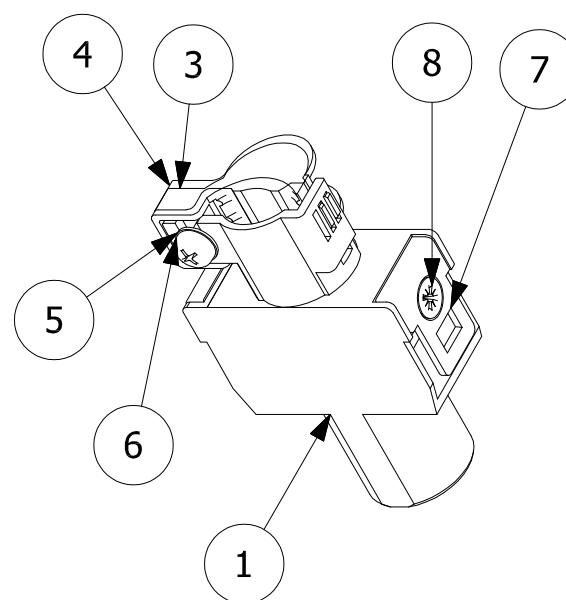
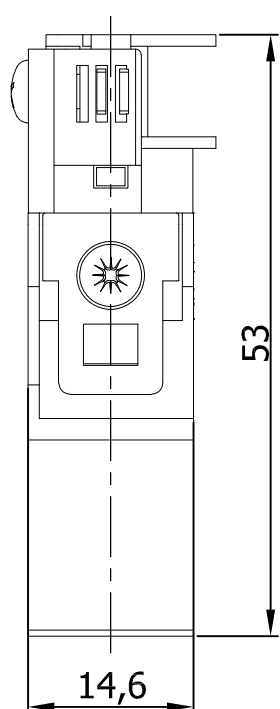
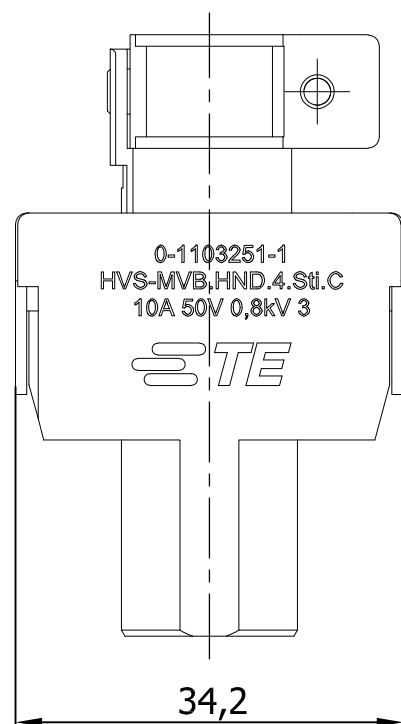
PROJEKT NR. **EGGMN 04410**

REVISIONS
AENDERUNGEN

P	LTR	DESCRIPTION BESCHREIBUNG	DATE	DWN	APVD
A		CONTACT ARRANGEMENT ADDED	ECR-06-022352	08-09-2006	SR AG
B		ECR-15-007885		14JUL2015	GSK JB

NOTES

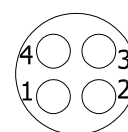
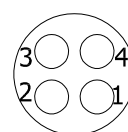
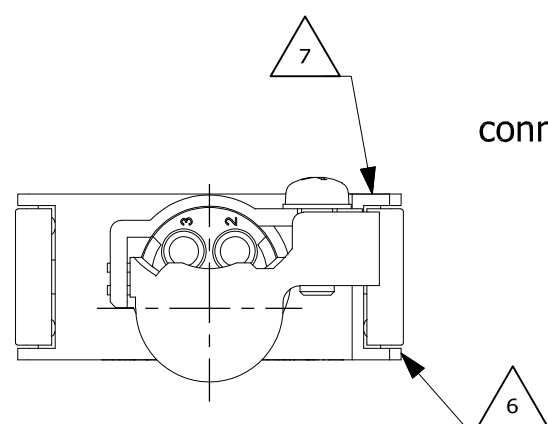
- 1 SUITABLE CRIMP CONTACTS: SERIES HN.D
CUSTOMER DRAWING: 1105050
OUTER DIMENSIONS OF INSULATION: MAX. Ø4 MM
- 2 SUITABLE MODULE FIXING FRAME: SERIES HVS SIZE 3 TO 8
CUSTOMER DRAWING: 1103250
- 3 SUITABLE INSERTION TOOL:
CUSTOMER DRAWING: 1102855
- 4 SUITABLE EXTRACTION TOOL:
CUSTOMER DRAWING: 1102855
- 5 STANDARDS:
DIN EN 61984; DIN EN 60664-1
- 6 POLARIZATION RIPS
- 7 MARKING OF POLARIZATION ACCORDING MARKING OF
MODULE FRAME
- 8. PACKAGING:
10 SETS IN A CARTON, PRE-MOUNTED



Contact arrangement

connecting side

termination side



QTY.	DESCRIPTION	MATERIAL	SURFACE	COLOR	NOTE	ITEM
2	COUNTER SUNK SCREW	Standard	-	-	-	8
2	MOUNTING PLATE	ZINC	-	-	-	7
1	SCREW	STEEL	-	-	ISO 7045 A2	6
1	SPRING WASHER, A3	STEEL	ZINC PLATED	-	DIN 137	5
1	CLOSING 3-6 MM	ZINC	-	-	-	4
1	CLOSING 6-9 MM	ZINC	-	-	-	3
1	CONTACT INSERT MALE	PA6.6-GF25	-	BLACK	-	2
1	MALE INSERT	ZINC ALLOY	-	-	-	1

PN 0-1 AS SHOWN

THIS DRAWING IS A CONTROLLED DOCUMENT. DIESE ZEICHNUNG IST EIN KONTROLLIERTES DOKUMENT.		DWN SCHNEIDER 16.02.2006	STE TE Connectivity		
DIMENSIONS: MASSE/MAEßEN: mm		CHK A.GAST 16.02.2006			
TOLERANCES UNLESS OTHERWISE SPECIFIED: ALLGEMEINTOLERANZEN		APVD T.SCHNURPFEIL 16.02.2006	NAME MALE INSERT HVS-MVB.4.STI.C		
0 PLC ± 1 PLC ± 2 PLC ± 3 PLC ± 4 PLC ± ANGLES/WINKEL ±		PRODUCT SPEC PRODUKTSPEZ. 108-74078	DRAWING NO ZEICHNUNGS-NR. G-1103251		
MATERIAL		APPLICATION SPEC VERARBEITUNGSSPEZ. 114-74080	SIZE A3	CAGE CODE 00779	RESTRICTED TO NUR FUER
FINISH/OBERFLAECHE/FARBE		WEIGHT GEWICHT 0.035 KG	SCALE MASSSTAB 1:1		
		CUSTOMER DRAWING/KUNDENZEICHNUNG		SHEET BLATT 1 OF VON 1	REV B