



Chipsmall Limited consists of a professional team with an average of over 10 year of expertise in the distribution of electronic components. Based in Hongkong, we have already established firm and mutual-benefit business relationships with customers from,Europe,America and south Asia,supplying obsolete and hard-to-find components to meet their specific needs.

With the principle of “Quality Parts,Customers Priority,Honest Operation,and Considerate Service”,our business mainly focus on the distribution of electronic components. Line cards we deal with include Microchip,ALPS,ROHM,Xilinx,Pulse,ON,Everlight and Freescale. Main products comprise IC,Modules,Potentiometer,IC Socket,Relay,Connector.Our parts cover such applications as commercial,industrial, and automotives areas.

We are looking forward to setting up business relationship with you and hope to provide you with the best service and solution. Let us make a better world for our industry!



Contact us

Tel: +86-755-8981 8866 Fax: +86-755-8427 6832

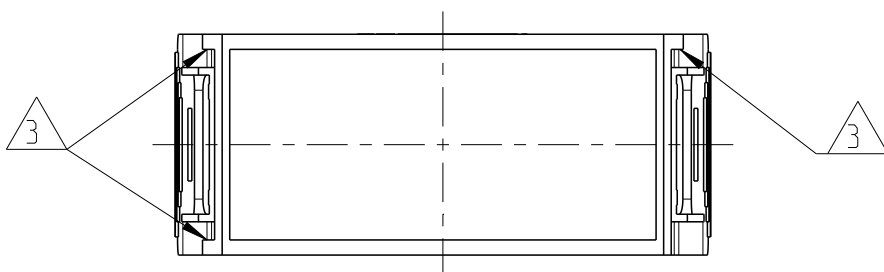
Email & Skype: info@chipsmall.com Web: www.chipsmall.com

Address: A1208, Overseas Decoration Building, #122 Zhenhua RD., Futian, Shenzhen, China



LOC	DIST	REVISIONS					
		P	LTR	DESCRIPTION	DATE	DWN	APVD
A1	-		C1	ECR-10-006685	18JUN2010	SR	OH
			D1	ECR-10-021590	25OCT2010	SR	OH
			E	ECR-15-007676	26MAY2015	GSK	JB

CONTACT ARRANGEMENT:
VIEW FROM CONNECTING SIDE



NOTES

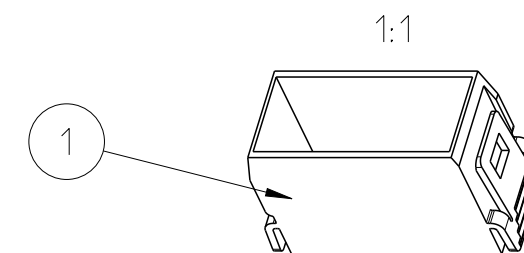
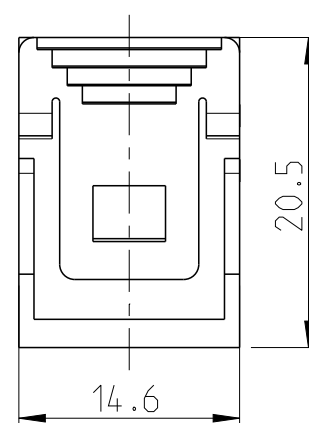
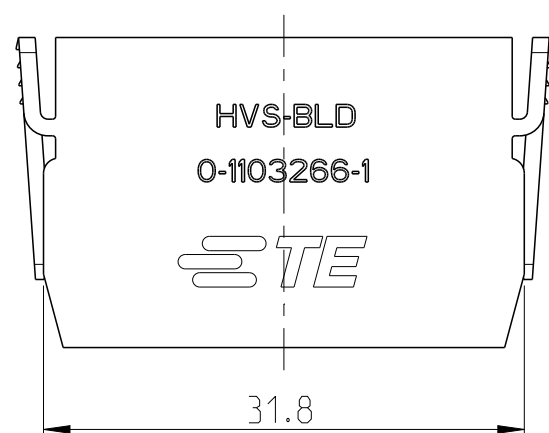
1 SUITABLE MODULE FIXING FRAME: SERIES HVS SIZE 3 0 8
CUSTOMER DRAWING: 1103250

2 STANDARDS:
DIN EN 61984; DIN EN 60664-1

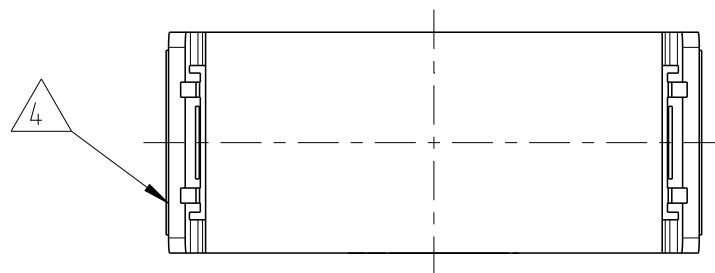
3 POLARIZATION RIPS

4 MARKING OF POLARIZATION ACCORDING MARKING OF MODULE FRAME


5 PACKAGING: 10 SETS IN A CARTON, PRE-MOUNTED



CONTACT ARRANGEMENT:
VIEW FROM TERMINATION SIDE



1	BLIND INSERT	PC-GF20		LIGHT GREY	1
0-1	DESCRIPTION	MATERIAL	SURFACE	COLOR	ITEM

THIS DRAWING IS A CONTROLLED DOCUMENT.		DWN R.SCHNEIDER 18JUN2010	 TE Connectivity		
DIMENSIONS: mm		CHK T.SCHNURPFIL 18JUN2010			
TOLERANCES UNLESS OTHERWISE SPECIFIED:		APVD -	NAME BLIND INSERT HVS-BLD		
0 PLC ±0.1		PRODUCT SPEC -	SIZE A3		
1 PLC ±0.1		APPLICATION SPEC -	CAGE CODE 00779	DRAWING NO C=1103266	RESTRICTED TO -
2 PLC ±0.1		WEIGHT -	SCALE 2:1		
3 PLC ±0.1		CUSTOMER DRAWING			
4 PLC ±0.1		SHEET 1 OF 1			
ANGLES ±1°		REV E			
FINISH -					