



Chipsmall Limited consists of a professional team with an average of over 10 year of expertise in the distribution of electronic components. Based in Hongkong, we have already established firm and mutual-benefit business relationships with customers from,Europe,America and south Asia,supplying obsolete and hard-to-find components to meet their specific needs.

With the principle of “Quality Parts,Customers Priority,Honest Operation,and Considerate Service”,our business mainly focus on the distribution of electronic components. Line cards we deal with include Microchip,ALPS,ROHM,Xilinx,Pulse,ON,Everlight and Freescale. Main products comprise IC,Modules,Potentiometer,IC Socket,Relay,Connector.Our parts cover such applications as commercial,industrial, and automotives areas.

We are looking forward to setting up business relationship with you and hope to provide you with the best service and solution. Let us make a better world for our industry!



Contact us

Tel: +86-755-8981 8866 Fax: +86-755-8427 6832

Email & Skype: info@chipsmall.com Web: www.chipsmall.com

Address: A1208, Overseas Decoration Building, #122 Zhenhua RD., Futian, Shenzhen, China



4

3

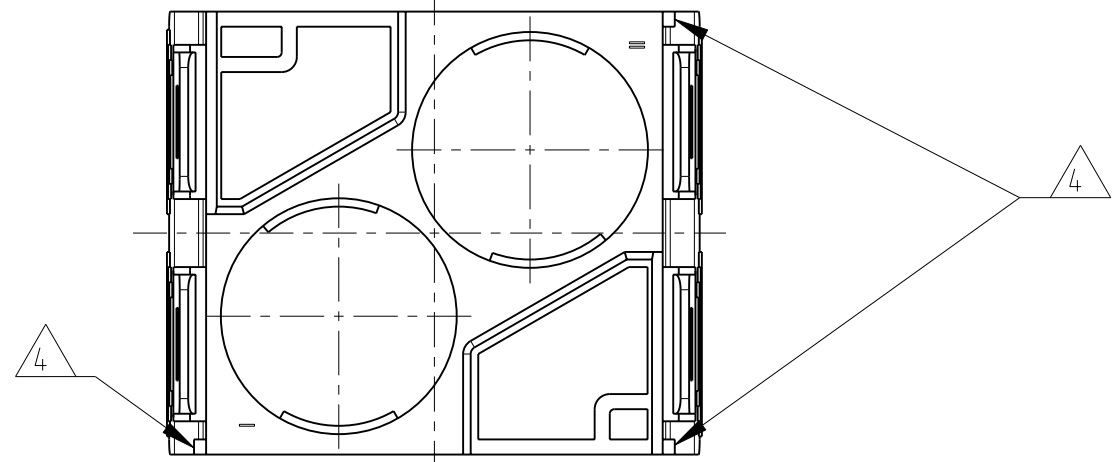
2

1

THIS DRAWING IS UNPUBLISHED. RELEASED FOR PUBLICATION 2000
 © COPYRIGHT 2000 BY TYCO ELECTRONICS CORPORATION. ALL RIGHTS RESERVED.

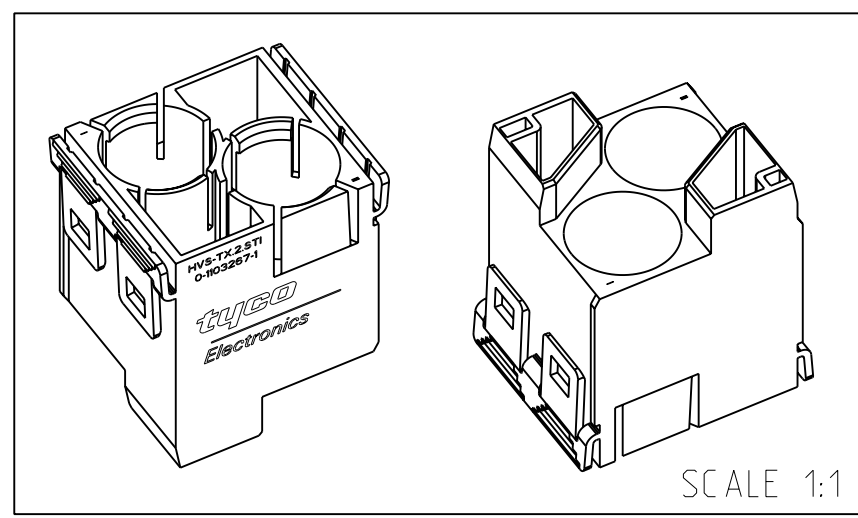
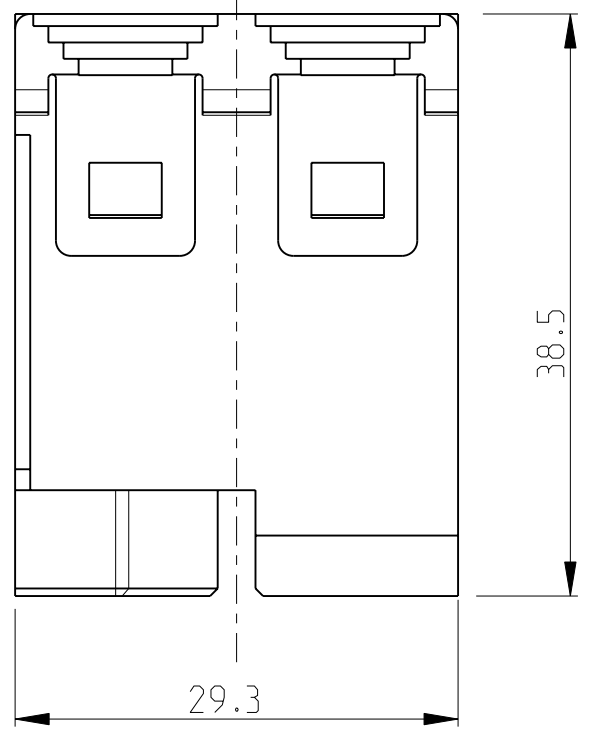
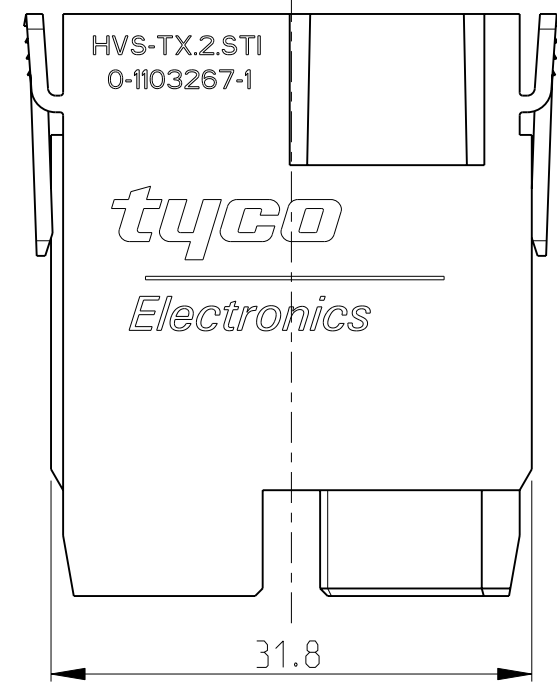
LOC	DIST	REVISIONS					
		P	LTR	DESCRIPTION	DATE	DWN	APVD
A1			B1	ECR-10-021590	25.10.2010	SR	OH

CONTACT ARRANGEMENT
VIEW FROM CONNECTING SIDE

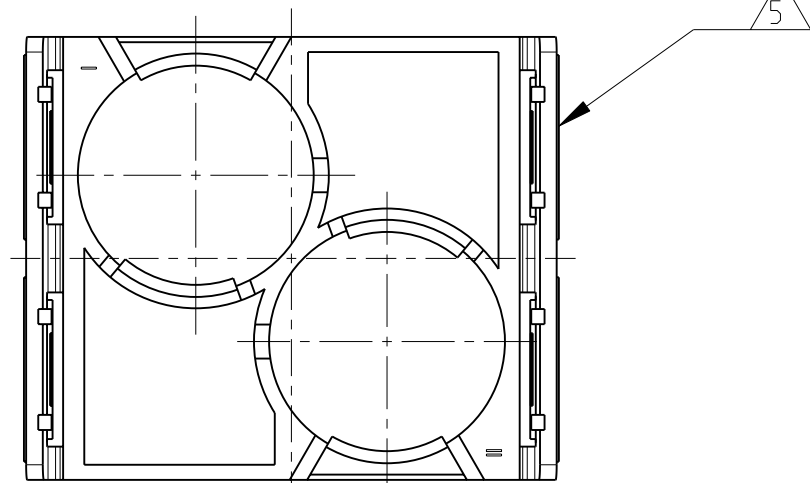


NOTES

- SUITABLE CRIMP CONTACTS: SERIES TX
CATALOG:889745
- SUITABLE MODULE FIXING FRAME: SERIES HVS SIZE 3 TO 8
CUSTOMER DRAWING: 1103250
- STANDARDS:
DIN EN 61984; DIN EN 60664-1
- POLARIZATION RIBS
- MARKING OF POLARIZATION ACCORDING TO MARKING OF
MODULE FRAME
- PACKAGING:
10 PIECES IN A CARTON



CONTACT ARRANGEMENT
VIEW FROM TERMINATION SIDE



PN 0-1 AS SHOWN

(B1) (7) (8)

1	MALE INSERT	PC-GF20	LIGHT GREY	1
QTY	DESCRIPTION	MATERIAL	COLOR	ITEM NO
	HVS-TX.2.ST1			

DIMENSIONS: mm		TOLERANCES UNLESS OTHERWISE SPECIFIED: ISO 8075 DIN ISO 2768 mH-E DIN 16901-120	
0 PLC	±	0	±
1 PLC	±	1	±
2 PLC	±	2	±
3 PLC	±	3	±
4 PLC	±	4	±
ANGLES	±		±
MATERIAL (7)		FINISH (8)	

DWN SCHNEIDER 20.02.2006	Tyco Electronics AMP GmbH 53757 Sankt Augustin, Germany		
CHK A.GAST 20.02.2006	NAME MALE INSERT HVS-TX.2.ST1		
APVD T.SCHNURPFIL 20.02.2006	PRODUCT SPEC 108-74080	APPLICATION SPEC 114-74082	RESTRICTED TO
WEIGHT	SIZE A3	CAGE CODE 00779	DRAWING NO C-1103267
CUSTOMER DRAWING	SCALE 5:1	SHEET 1 OF 1	REV B1