



Chipsmall Limited consists of a professional team with an average of over 10 year of expertise in the distribution of electronic components. Based in Hongkong, we have already established firm and mutual-benefit business relationships with customers from,Europe,America and south Asia,supplying obsolete and hard-to-find components to meet their specific needs.

With the principle of “Quality Parts,Customers Priority,Honest Operation,and Considerate Service”,our business mainly focus on the distribution of electronic components. Line cards we deal with include Microchip,ALPS,ROHM,Xilinx,Pulse,ON,Everlight and Freescale. Main products comprise IC,Modules,Potentiometer,IC Socket,Relay,Connector.Our parts cover such applications as commercial,industrial, and automotives areas.

We are looking forward to setting up business relationship with you and hope to provide you with the best service and solution. Let us make a better world for our industry!



Contact us

Tel: +86-755-8981 8866 Fax: +86-755-8427 6832

Email & Skype: info@chipsmall.com Web: www.chipsmall.com

Address: A1208, Overseas Decoration Building, #122 Zhenhua RD., Futian, Shenzhen, China



4

3

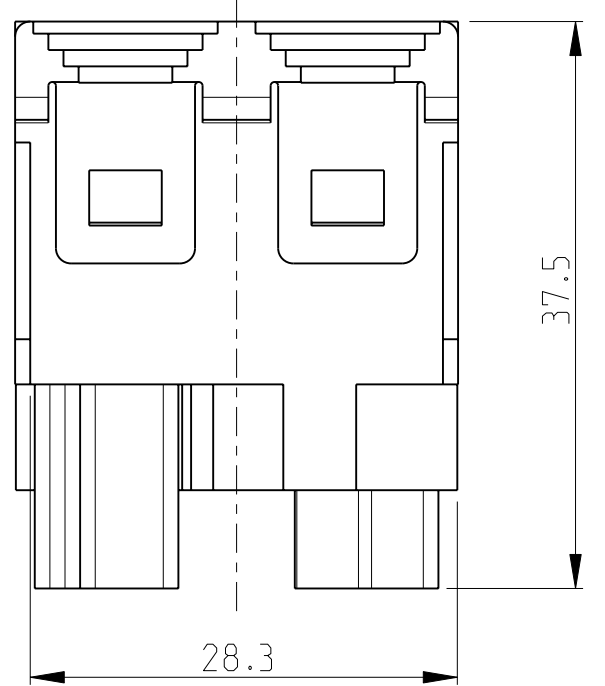
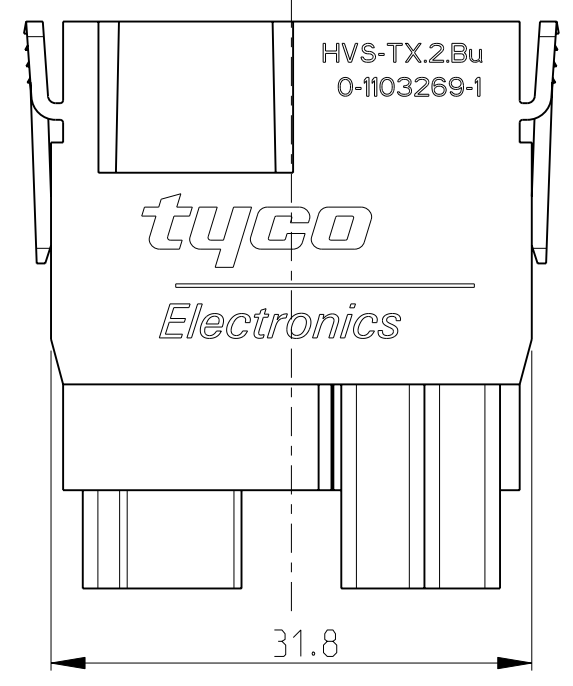
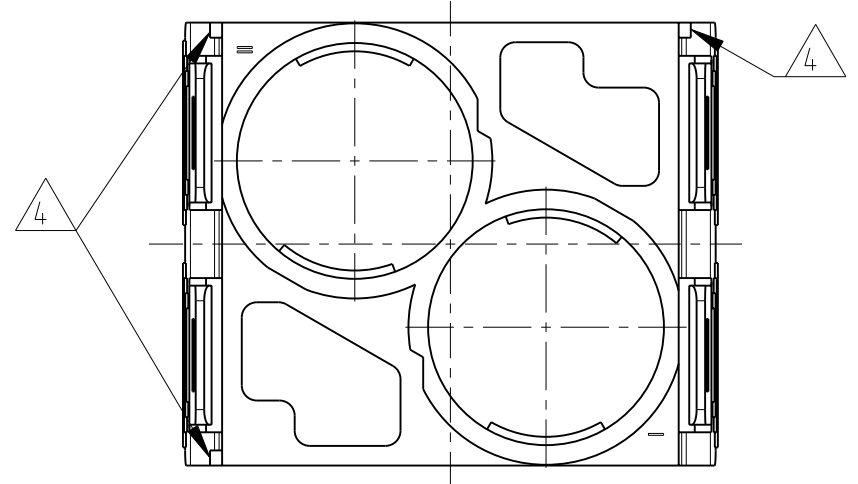
2

1

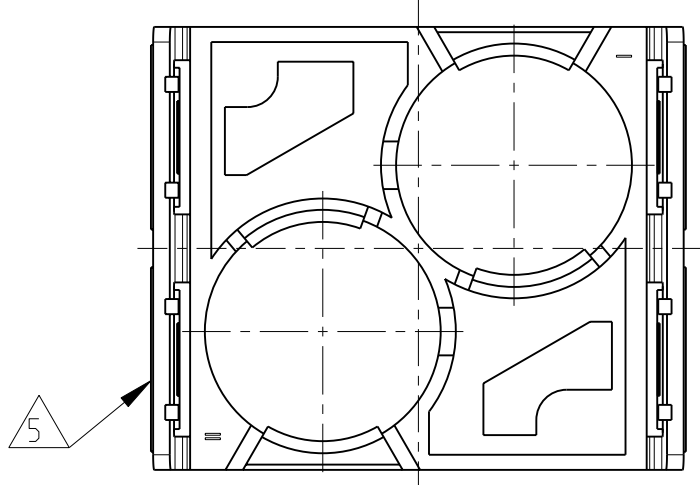
THIS DRAWING IS UNPUBLISHED. RELEASED FOR PUBLICATION 2000
 © COPYRIGHT 2000 BY TYCO ELECTRONICS CORPORATION. ALL RIGHTS RESERVED.

| LOC | DIST | REVISIONS | | | | | |
|-----|------|-----------|-----|---------------|------------|-----|------|
| | | P | LTR | DESCRIPTION | DATE | DWN | APVD |
| A1 | | | B1 | ECR-10-021590 | 26.10.2010 | SR | OH |

CONTACT ARRANGEMENT
VIEW FROM CONNECTING SIDE



CONTACT ARRANGEMENT
VIEW FROM TERMINATION SIDE



NOTES

- 1 SUITABLE CRIMP CONTACTS: SERIES TX CATALOG:889745
- 2 SUITABLE MODULE FIXING FRAME: SERIES HVS SIZE 3 TO 8 CUSTOMER DRAWING: 1103250
- 3 STANDARDS: DIN EN 61984; DIN EN 60664-1
- 4 POLARIZATION RIBS
- 5 MARKING OF POLARIZATION ACCORDING TO MARKING OF MODULE FRAME
- 6 PACKAGING: 10 PIECES IN A CARTON

PN 0-1 AS SHOWN

B1 7 8

| QTY | DESCRIPTION | MATERIAL | COLOR | ITEM NO |
|-------------|---------------|----------|------------|---------|
| 1 | FEMALE INSERT | PC-GF20 | LIGHT GREY | 1 |
| HVS-TX.2.BU | | | | |

| | | | | | |
|---|--|--|--|--|--|
| <small>THIS DRAWING IS A CONTROLLED DOCUMENT FOR TYCO ELECTRONICS CORPORATION IT IS SUBJECT TO CHANGE AND THE CONTROLLING ENGINEERING ORGANIZATION SHOULD BE CONTACTED FOR THE LATEST REVISION.</small> | | DWN 20.02.2006 SCHNEIDER | | Tyco Electronics AMP GmbH 53757 Sankt Augustin, Germany | |
| DIMENSIONS: mm | | TOLERANCES UNLESS OTHERWISE SPECIFIED: ISO 8075 DIN ISO 2768 mH-E DIN 16901-120 | | NAME FEMALE INSERT HVS-TX.2.BU | |
| | | 0 PLC ± 1 PLC ± 2 PLC ± 3 PLC ± 4 PLC ± ANGLES ± | | APVD 20.02.2006 T.SCHNURPFIL | |
| MATERIAL 7 | | FINISH 8 | | PRODUCT SPEC 108-74080 APPLICATION SPEC 114-74082 | |
| | | WEIGHT | | SIZE A3 CAGE CODE 00779 DRAWING NO C-1103269 RESTRICTED TO | |
| CUSTOMER DRAWING | | | | SCALE 5:1 SHEET 1 OF 1 REV B1 | |