



Chipsmall Limited consists of a professional team with an average of over 10 year of expertise in the distribution of electronic components. Based in Hongkong, we have already established firm and mutual-benefit business relationships with customers from,Europe,America and south Asia,supplying obsolete and hard-to-find components to meet their specific needs.

With the principle of "Quality Parts,Customers Priority,Honest Operation,and Considerate Service",our business mainly focus on the distribution of electronic components. Line cards we deal with include Microchip,ALPS,ROHM,Xilinx,Pulse,ON,Everlight and Freescale. Main products comprise IC,Modules,Potentiometer,IC Socket,Relay,Connector.Our parts cover such applications as commercial,industrial, and automotives areas.

We are looking forward to setting up business relationship with you and hope to provide you with the best service and solution. Let us make a better world for our industry!



## Contact us

Tel: +86-755-8981 8866 Fax: +86-755-8427 6832

Email & Skype: info@chipsmall.com Web: www.chipsmall.com

Address: A1208, Overseas Decoration Building, #122 Zhenhua RD., Futian, Shenzhen, China



4

3

2

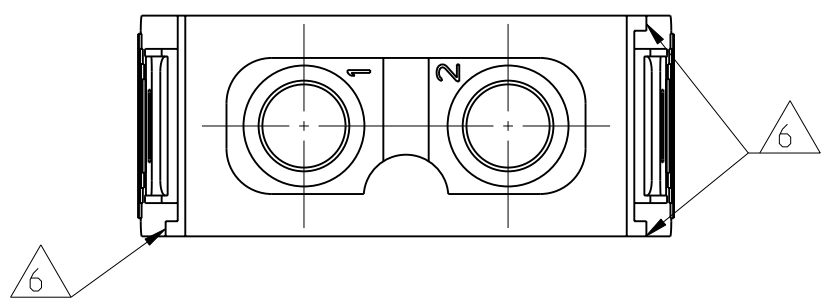
1

THIS DRAWING IS UNPUBLISHED. RELEASED FOR PUBLICATION 2000  
 © COPYRIGHT 2000 BY TYCO ELECTRONICS CORPORATION. ALL RIGHTS RESERVED.

LOC	DIST	REVISIONS			
P	LTR	DESCRIPTION	DATE	DWN	APVD
	C1	ECR-10-023156	11NOV2010	SR	OH

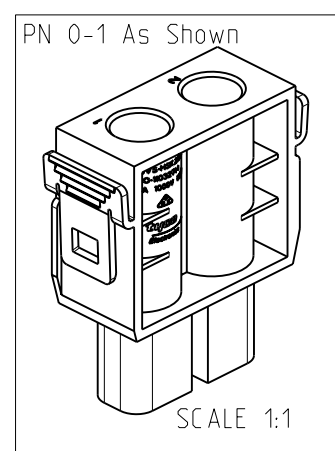
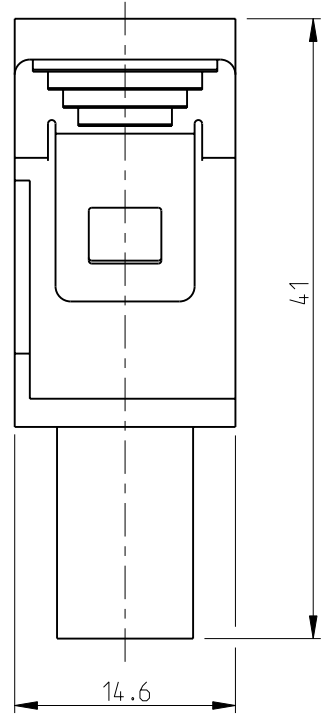
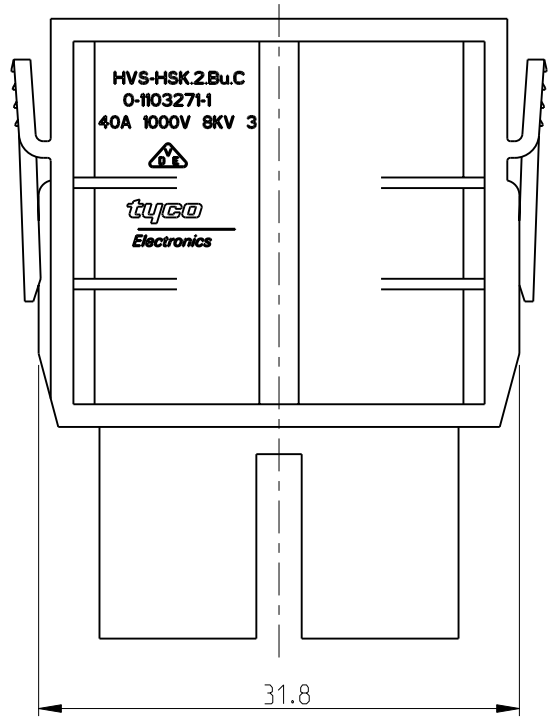
PN 0-1 As Shown

Contact arrangement view from connecting side

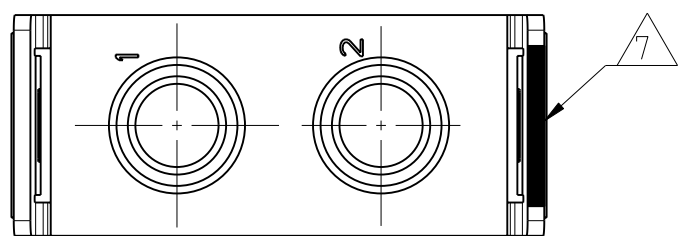


NOTES

- 1 SUITABLE CRIMP CONTACTS: SERIES HSK  
CUSTOMER DRAWING: 1108756  
OUTER DIMENSIONS OF INSULATION: MAX. Ø8mm
- 2 SUITABLE MODULE FIXING FRAME: SERIES HVS SIZE 3 TO 8  
CUSTOMER DRAWING: 1103250
- 3 SUITABLE INSERTION TOOL:  
CUSTOMER DRAWING: 1102855
- 4 SUITABLE EXTRACTION TOOL:  
CUSTOMER DRAWING: 1102855
- 5 STANDARDS:  
DIN EN 61984; DIN EN 60664-1
- 6 POLARIZATION RIPS
- 7 MARKING OF POLARIZATION ACCORDING TO MARKING OF MODULE FRAME
- 8 PACKAGING:  
10 PIECES IN A CARTON



Contact arrangement view from termination side



1	0-1	DESCRIPTION	MATERIAL	COLOR	ITEM NO
		FEMALE INSERT	PC-GF20	LYGHT GREY	1
HVS-HSK.2.BU.C					

DIMENSIONS: mm 		TOLERANCES UNLESS OTHERWISE SPECIFIED: ISO 2875 DIN ISO 2768 mH-E DIN 16901-120 0 PLC ± 1 PLC ± 2 PLC ± 3 PLC ± 4 PLC ± ANGLES ±		DWN 20.02.2006 SCHNEIDER CHK 20.02.2006 A.GAST APVD 20.02.2006 T.SCHNURPFIL PRODUCT SPEC 108-74081 APPLICATION SPEC 114-74083 WEIGHT 0.008 kg		Tyco Electronics AMP GmbH 53757 Sankt Augustin, Germany NAME FEMALE INSERT ASSY HVS-HSK.2.BU.C	
MATERIAL		FINISH		SIZE A3	CAGE CODE 00779	DRAWING NO C=1103271	RESTRICTED TO
CUSTOMER DRAWING				SCALE 2:1	SHEET 1 OF 1	REV C1	