



Chipsmall Limited consists of a professional team with an average of over 10 year of expertise in the distribution of electronic components. Based in Hongkong, we have already established firm and mutual-benefit business relationships with customers from,Europe,America and south Asia,supplying obsolete and hard-to-find components to meet their specific needs.

With the principle of “Quality Parts,Customers Priority,Honest Operation,and Considerate Service”,our business mainly focus on the distribution of electronic components. Line cards we deal with include Microchip,ALPS,ROHM,Xilinx,Pulse,ON,Everlight and Freescale. Main products comprise IC,Modules,Potentiometer,IC Socket,Relay,Connector.Our parts cover such applications as commercial,industrial, and automotives areas.

We are looking forward to setting up business relationship with you and hope to provide you with the best service and solution. Let us make a better world for our industry!



## Contact us

Tel: +86-755-8981 8866 Fax: +86-755-8427 6832

Email & Skype: info@chipsmall.com Web: www.chipsmall.com

Address: A1208, Overseas Decoration Building, #122 Zhenhua RD., Futian, Shenzhen, China

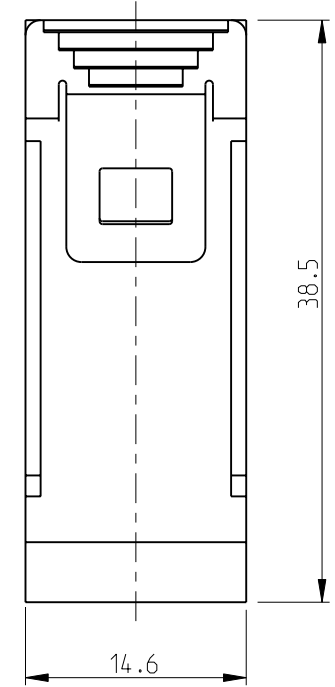
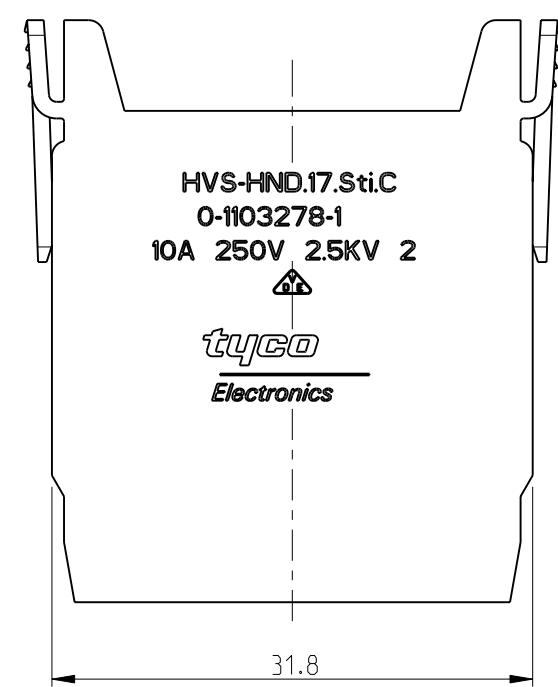
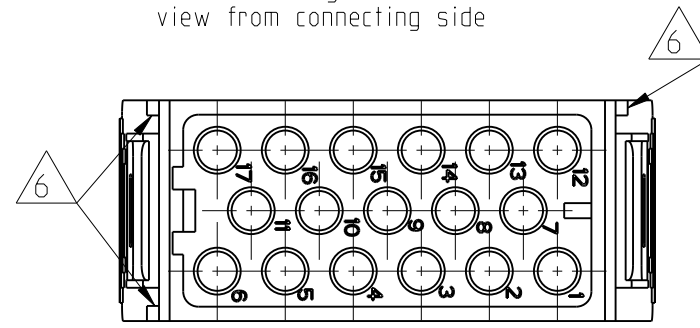


THIS DRAWING IS UNPUBLISHED. RELEASED FOR PUBLICATION 2000  
 © COPYRIGHT 2000 BY TYCO ELECTRONICS CORPORATION. ALL RIGHTS RESERVED.

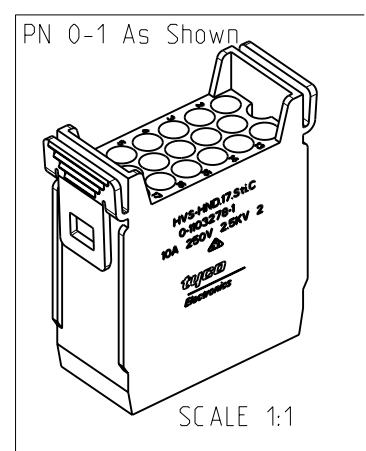
LOC	DIST	REVISIONS			
P	LTR	DESCRIPTION	DATE	DWN	APVD
	B1	ECR-10-021590	26.10.2010	SR	OH

PN 0-1 As Shown

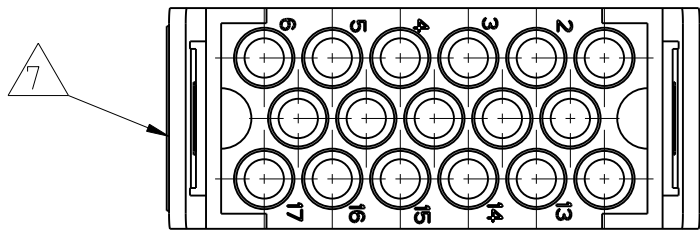
Contact arrangement  
view from connecting side



- NOTES
- SUITABLE CRIMP CONTACTS: SERIES HN.D  
CUSTOMER DRAWING: 1105050  
OUTER DIMENSIONS OF INSULATION: MAX. Ø4mm
  - SUITABLE MODULE FIXING FRAME: SERIES HVS SIZE 3 TO 8  
CUSTOMER DRAWING: 1103250
  - SUITABLE INSERTION TOOL:  
CUSTOMER DRAWING: 1102855
  - SUITABLE EXTRACTION TOOL:  
CUSTOMER DRAWING: 1102855
  - STANDARDS:  
DIN EN 61984; DIN EN 60664-1
  - POLARIZATION RIPS
  - MARKING OF POLARIZATION ACCORDING TO MARKING OF MODULE FRAME
  - PACKAGING:  
10 SETS IN A CARTON, PRE-MOUNTED



Contact arrangement  
view from termination side



1	MALE INSERT	PC-GF20	LIGHT GREY	1
QTY	DESCRIPTION	MATERIAL	COLOR	ITEM NO
PN 0-1 / HVS-HN.D.17.Sti.C				

THIS DRAWING IS A CONTROLLED DOCUMENT FOR TYCO ELECTRONICS CORPORATION IT IS SUBJECT TO CHANGE AND THE CONTROLLING ENGINEERING ORGANIZATION SHOULD BE CONTACTED FOR THE LATEST REVISION.		DWN 20.02.2006 <b>SCHNEIDER</b>		<b>Tyco Electronics</b> Tyco Electronics AMP GmbH 53757 Sankt Augustin, Germany	
DIMENSIONS: mm		TOLERANCES UNLESS OTHERWISE SPECIFIED: ISO 8075 DIN ISO 2768 mH-E DIN 16901-120		NAME <b>MALE INSERT</b> <b>HVS-HND.17.STI.C</b>	
		0 PLC ± 1 PLC ± 2 PLC ± 3 PLC ± 4 PLC ± ANGLES ±		APVD 20.02.2006 <b>T.SCHNURPFIL</b> PRODUCT SPEC 108-74083 APPLICATION SPEC 114-74085	
MATERIAL		FINISH		WEIGHT SIZE A3 CAGE CODE 00779 DRAWING NO C-1103278 RESTRICTED TO	
CUSTOMER DRAWING				SCALE 2:1 SHEET 1 OF 1 REV B1	