



Chipsmall Limited consists of a professional team with an average of over 10 year of expertise in the distribution of electronic components. Based in Hongkong, we have already established firm and mutual-benefit business relationships with customers from,Europe,America and south Asia,supplying obsolete and hard-to-find components to meet their specific needs.

With the principle of “Quality Parts,Customers Priority,Honest Operation,and Considerate Service”,our business mainly focus on the distribution of electronic components. Line cards we deal with include Microchip,ALPS,ROHM,Xilinx,Pulse,ON,Everlight and Freescale. Main products comprise IC,Modules,Potentiometer,IC Socket,Relay,Connector.Our parts cover such applications as commercial,industrial, and automotives areas.

We are looking forward to setting up business relationship with you and hope to provide you with the best service and solution. Let us make a better world for our industry!



## Contact us

Tel: +86-755-8981 8866 Fax: +86-755-8427 6832

Email & Skype: info@chipsmall.com Web: www.chipsmall.com

Address: A1208, Overseas Decoration Building, #122 Zhenhua RD., Futian, Shenzhen, China

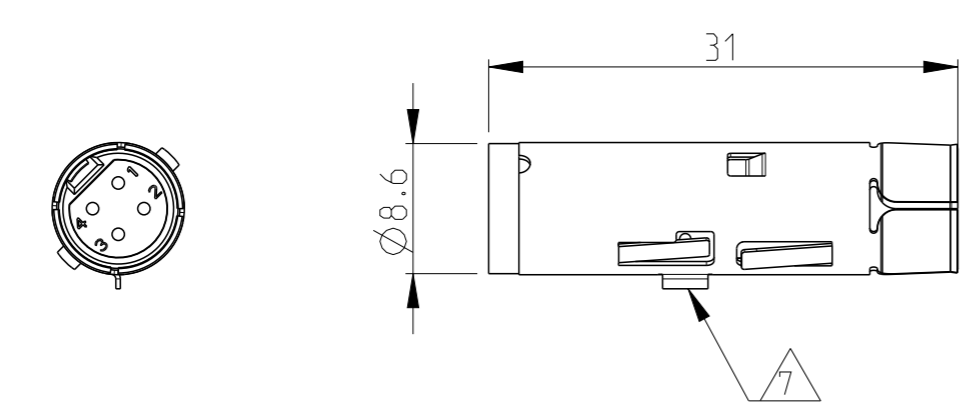


THIS DRAWING IS UNPUBLISHED. RELEASED FOR PUBLICATION 2006  
 © COPYRIGHT 2006 ALL RIGHTS RESERVED.

LOC	DIST	REVISIONS					
		P	LTR	DESCRIPTION	DATE	DWN	APVD
AI	-		D3	ECR-11-009482	09MAY2011	VG	BR
			D4	ECR-15-014241	27OCT2015	RK	JB
			D5	REV. PER ECR-16-000458	12JAN2016	ER	DO
			D6	ITEM 4 EXCHANGED PER PCN E-16-007296	20MAY2016	ER	DO

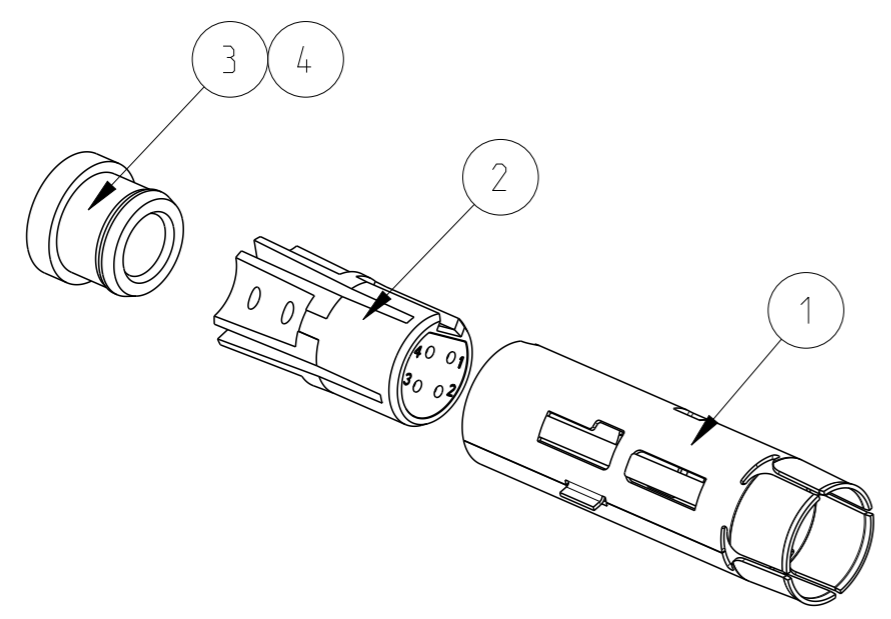
D

D



C

C



B

B

Notes

- 1 SUITABLE POWER INSERT: SERIES HC26  
CUSTOMER DRAWING: 1103428
- 2 SUITABLE CAT5e CABLE:  
CUSTOMER DRAWING: 1103536
- 3 SUITABLE CRIMP CONTACTS:  
CUSTOMER DRAWING: 1658670
- 4 SUITABLE INSERTION TOOL:  
CUSTOMER DRAWING: 91285
- 5 SUITABLE EXTRACTION TOOL:  
CUSTOMER DRAWING: 91285
- 6 STANDARDS:  
DIN EN 61984, DIN EN 60664-1
- 7 POLARIZATION RIP
- 8 PACKAGING:  
40 SETS IN A CARTON, UNMOUNTED

PN 0--1 AND 0--2 AS SHOWN

QTY	DESCRIPTION	MATERIAL	SURFACE/COLOR	NOTE	ITEM		
-	1	-	FERRULE	BRASS	SILVER PLATED	SERIES HC26, MALE SHELL	4
-	-	1	FERRULE	BRASS	SILVER PLATED	SERIES HC26, MALE SHELL	3
-	1	1	MALE INSERT ASS'Y			SERIES HC26, 4-POS. 22DF	2
-	1	1	MALE SHELL	COPPER ALLOY	SILVER PLATED	SERIES HC26, 4-POS. 22DF	1
-	0--2	0--1	DESCRIPTION	MATERIAL	SURFACE/COLOR	NOTE	ITEM

QTY REQD PER ASSY		PARTS LIST	
THIS DRAWING IS A CONTROLLED DOCUMENT.		DWN H.BRAUN 27OCT2008	TE Connectivity <b>MALE INSERT ASS'Y</b> SERIES HC26, 4-POS. 22DF CIRCULAR HYBRID CONNECTOR
DIMENSIONS: mm		CHK T.VETTER 27OCT2008	
		APVD T.SCHNURPFEL 27OCT2008	
TOLERANCES UNLESS OTHERWISE SPECIFIED:		PRODUCT SPEC 108-94485	
MATERIAL		APPLICATION SPEC 114-94369	SIZE A3
FINISH		WEIGHT	CAGE CODE 00779
		Customer Drawing	DRAWING NO 1103426
		SCALE 2:1	RESTRICTED TO
		SHEET 1 OF 1	REV D6

A

A