



Chipsmall Limited consists of a professional team with an average of over 10 year of expertise in the distribution of electronic components. Based in Hongkong, we have already established firm and mutual-benefit business relationships with customers from,Europe,America and south Asia,supplying obsolete and hard-to-find components to meet their specific needs.

With the principle of "Quality Parts,Customers Priority,Honest Operation,and Considerate Service",our business mainly focus on the distribution of electronic components. Line cards we deal with include Microchip,ALPS,ROHM,Xilinx,Pulse,ON,Everlight and Freescale. Main products comprise IC,Modules,Potentiometer,IC Socket,Relay,Connector.Our parts cover such applications as commercial,industrial, and automotives areas.

We are looking forward to setting up business relationship with you and hope to provide you with the best service and solution. Let us make a better world for our industry!



Contact us

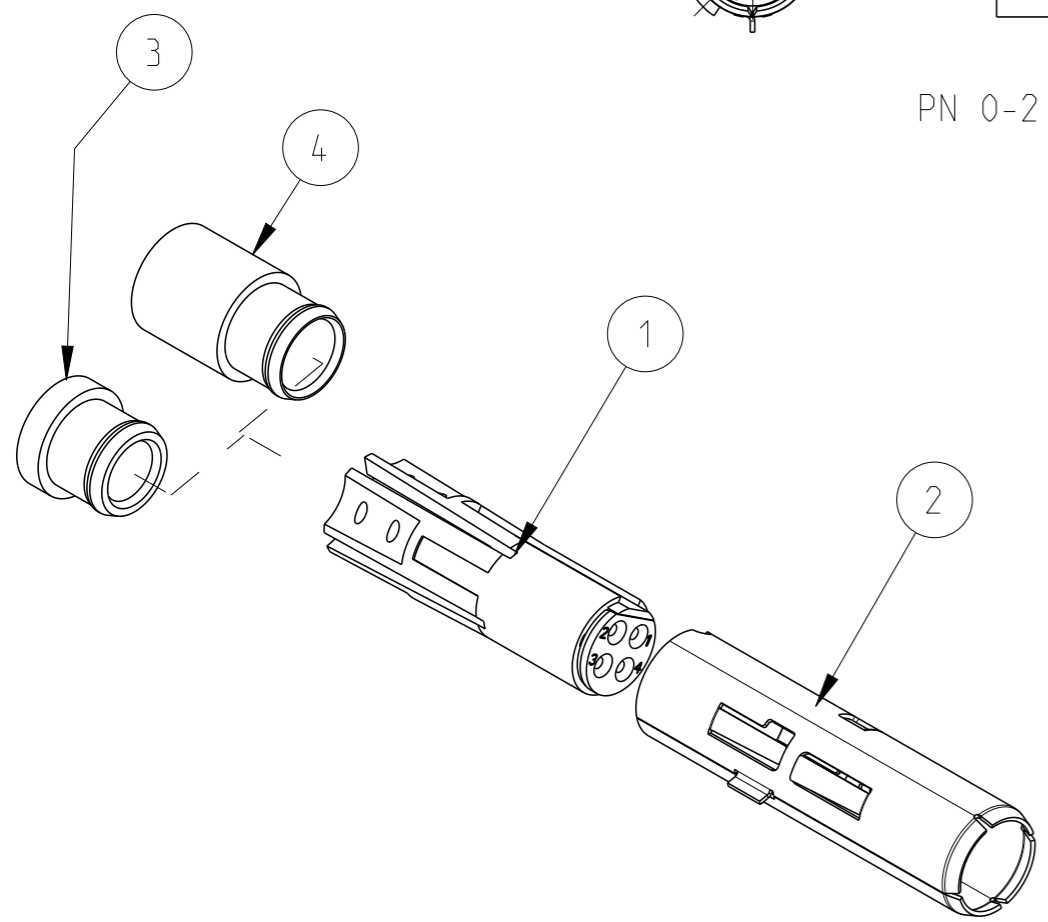
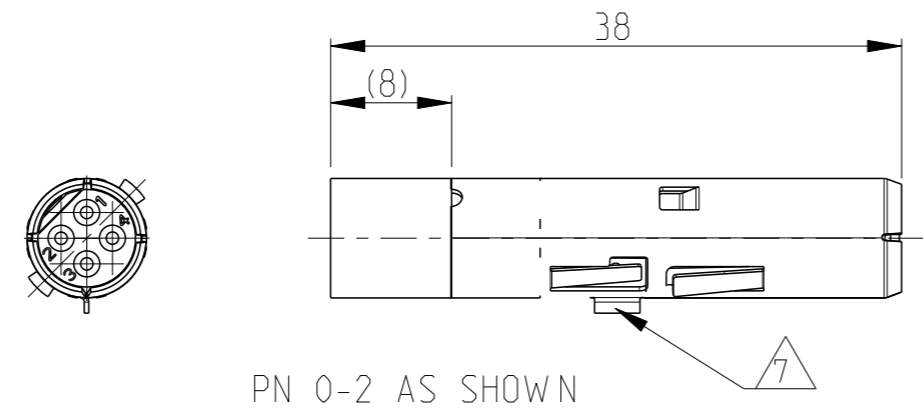
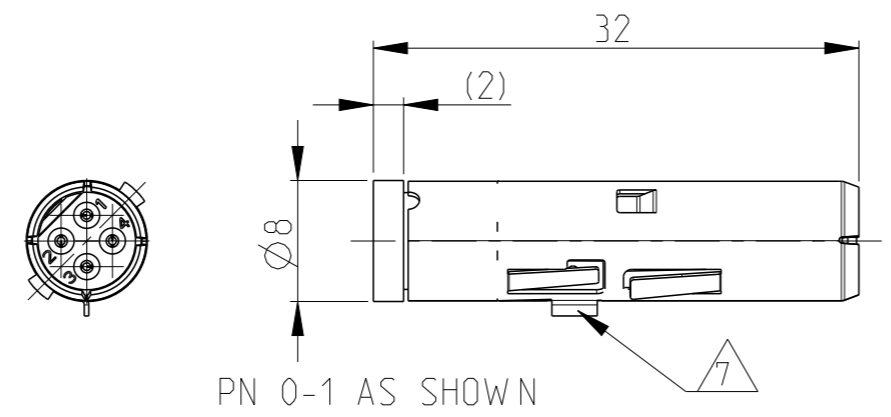
Tel: +86-755-8981 8866 Fax: +86-755-8427 6832

Email & Skype: info@chipsmall.com Web: www.chipsmall.com

Address: A1208, Overseas Decoration Building, #122 Zhenhua RD., Futian, Shenzhen, China



LOC	DIST	REVISIONS ÄNDERUNGEN			
P	LTR	DESCRIPTION BESCHREIBUNG	DATE	DWN	APVD
AI	-				
PROJEKT NR.:		E1	CUT OFF ADDED BY AREA LEAD-IN CHAMFER	31MAY2012	KHH HEIN
		F1	LOCKING LATCHES OF FEMALE SHELL CHANGED	02OCT2013	SH DO
		F2	TITLE BLOCK: NAME CHANGED	09OCT2015	ER DO
		F3	REV. PER ECR-16-000458	12JAN2016	ER DO



- Notes
- SUITABLE POWER INSERT: SERIES HC26
CUSTOMER DRAWING: 1103429
 - SUITABLE CAT5e CABLE:
CUSTOMER DRAWING: 1103536
 - SUITABLE CRIMP CONTACTS:
CUSTOMER DRAWING: 1658686
 - SUITABLE INSERTION TOOL:
CUSTOMER DRAWING: 91285
 - SUITABLE EXTRACTION TOOL:
CUSTOMER DRAWING: 91285
 - STANDARDS:
DIN EN 61984, DIN EN 60664-1
 - POLARIZATION RIP
 - FOR WIRE-SHIELDING DIAMETER 5.0
 - FOR WIRE-SHIELDING DIAMETER 4.2
 - PACKAGING:
40 SETS IN A CARTON, UNMOUNTED

1	-	FERRULE	BRASS	SILVER PLATED	SERIES HC26, FEM. SHELL CRIMP VERSION		4
-	1	FERRULE	BRASS	SILVER PLATED	SERIES HC26, FEM. SHELL STANDARD		3
1	1	FEMALE SHELL	COPPER ALLOY	SILVER PLATED	SERIES HC26, 4 POS. 22 DF		2
1	1	FEMALE INSERT ASS'Y	PBT-GF10	GREY	SERIES HC26, 4 POS. 22 DF		1
0-2	0-1						
		PN/QTY	DESCRIPTION	MATERIAL	COLOR/SURFACE	NOTE	ITEM

PARTS LIST (PER ONE UNIT)

DIESE ZEICHNUNG IST EIN KONTROLLIERTES DOKUMENT.
 BEMASSUNGEN UND TOLERANZEN GEMAESS GPS (ISO STANDARDS).

THIS DRAWING IS A CONTROLLED DOCUMENT.
 DIMENSIONING AND TOLERANCING PER GPS (ISO STANDARDS).

DIMENSIONS: MASSEINHEITEN: (MM)

TOLERANCES UNLESS OTHERWISE SPECIFIED: ALLGEMEINTOLERANZEN

0 PLC ±
 1 PLC ±
 2 PLC ±
 3 PLC ±
 4 PLC ±
 ANGLES/WINKEL ±

MATERIAL - FINISH/OBERFLAECHE/FARBE -

DWN H.BRAUN 19OCT2007
 CHK T.VETTER 27OCT2008
 APVD T.SCHNURPFIL 27OCT2008
 PRODUCT SPEC PRODUKTSPEZ. 108-94485
 APPLICATION SPEC VERARBEITUNGSSPEZ. 114-94369

WEIGHT GEWICHT -

TOLERANCING ISO 8015
 TOLERIERUNG ISO 8015

TE TE Connectivity

NAME
 FEMALE INSERT ASS'Y
 SERIES HC26, 4-POS., 22DF
 CIRCULAR HYBRID CONNECTOR

SIZE A3 CAGE CODE 00779 DRAWING NO. ZEICHNUNGS-NR. C=1103427 RESTRICTED TO NUR FUER -

CUSTOMER DRAWING /KUNDENZEICHNUNG SCALE MASSSTAB 2:1 SHEET BLATT 1 OF VON 1 REV F3