



Chipsmall Limited consists of a professional team with an average of over 10 year of expertise in the distribution of electronic components. Based in Hongkong, we have already established firm and mutual-benefit business relationships with customers from,Europe,America and south Asia,supplying obsolete and hard-to-find components to meet their specific needs.

With the principle of “Quality Parts,Customers Priority,Honest Operation,and Considerate Service”,our business mainly focus on the distribution of electronic components. Line cards we deal with include Microchip,ALPS,ROHM,Xilinx,Pulse,ON,Everlight and Freescale. Main products comprise IC,Modules,Potentiometer,IC Socket,Relay,Connector.Our parts cover such applications as commercial,industrial, and automotives areas.

We are looking forward to setting up business relationship with you and hope to provide you with the best service and solution. Let us make a better world for our industry!



Contact us

Tel: +86-755-8981 8866 Fax: +86-755-8427 6832

Email & Skype: info@chipsmall.com Web: www.chipsmall.com

Address: A1208, Overseas Decoration Building, #122 Zhenhua RD., Futian, Shenzhen, China



LOC
AI

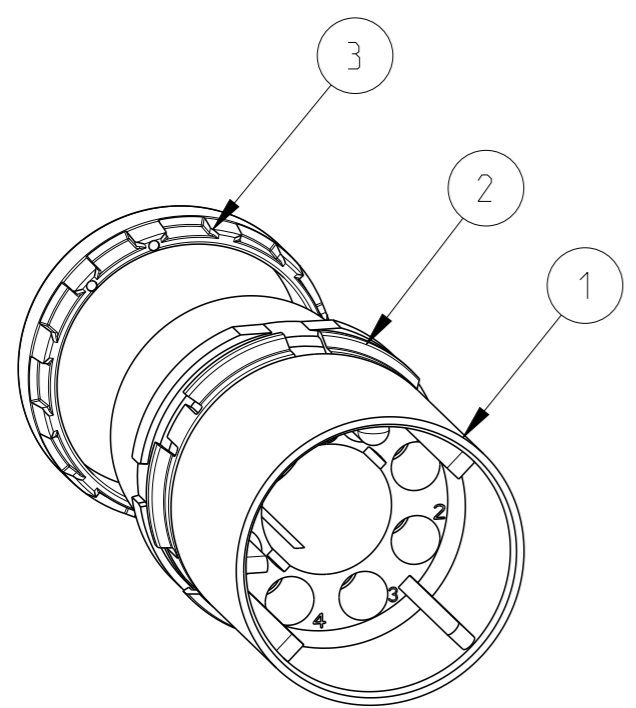
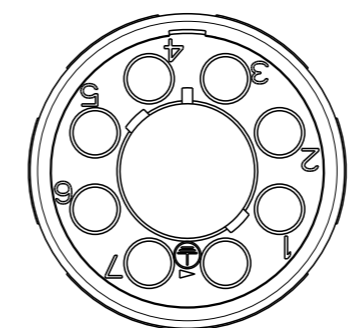
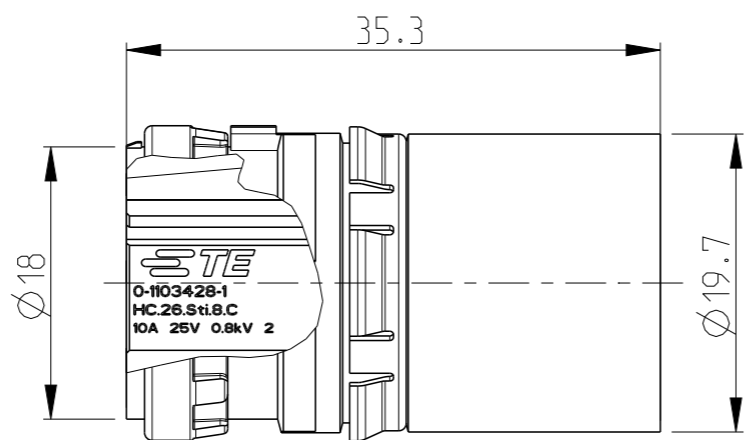
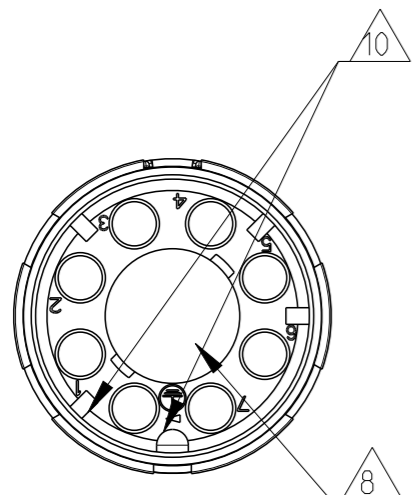
DIST
-

REVISIONS

P	LTR	DESCRIPTION	DATE	DWN	APVD
	C1	ECR-11-018403	07SEP2011	OH	BR
	C2	ECR-11-021475	24OCT2011	GW	BR
	C3	ECR-15-014241	27OCT2015	RK	JB
	C4	REV. PER ECR-16-000458	12JAN2016	ER	DO

Notes

- 1 SUITABLE HOUSINGS: SERIES HC 26
CUSTOMER DRAWING: 1103433, 1103434
- 2 OUTER DIMENSIONS OF INSULATION: MAX. Ø3.2 MM
- 3 SUITABLE CRIMP CONTACTS:
CUSTOMER DRAWING: 827040
- 4 SUITABLE SUB-MIN. COAXICON CONTACTS:
CUSTOMER DRAWING: 51563
- 5 SUITABLE LWL (OPTICS) CONTACTS:
CUSTOMER DRAWING: 216341
- 6 SUITABLE INSERTION TOOL:
CUSTOMER DRAWING: 1102855
- 7 SUITABLE EXTRACTION TOOL:
CUSTOMER DRAWING: 1102855
- △ 8 SUITABLE SIGNAL INSERT:
CUSTOMER DRAWING: 1103426
- 9 STANDARDS:
DIN EN 61984, DIN EN 60664-1
- △ 10 POLARIZATION RIPS
- 11 PACKAGING 0-1 /0-2:
40 SETS IN A CARTON
- 12 PACKAGING 0-3:
40 PIECE



PN 0-1 AS SHOWN

PN/QTY	DESCRIPTION	MATERIAL	COLOR	NOTE	ITEM
- - 1	ADAPTOR RING	PA-66-GF25	GREY	SERIES HC 26, INSERT	3
- - 1	RETAINING RING	PA-66-GF25	GREY	SERIES HC 26, INSERT	2
1 1 1	MALE INSERT	PBT-GF10	GREY	SERIES HC 26, INSERT	1

THIS DRAWING IS A CONTROLLED DOCUMENT.

DIMENSIONS: mm	TOLERANCES UNLESS OTHERWISE SPECIFIED:
	0 PLC ± 1 PLC ± 2 PLC ± 3 PLC ± 4 PLC ± ANGLES ±
MATERIAL -	FINISH -

DWN H.BRAUN 28OCT2008	TE Connectivity NAME MALE INSERT ASS'Y SERIES HC26, 8-POS., TYPE III+ CIRCULAR HYBRID CONNECTOR
CHK T.VETTER 28OCT2008	
APVD T.SCHNURPFEL 28OCT2008	
PRODUCT SPEC 108-94485	
APPLICATION SPEC 114-94369	SIZE A3
WEIGHT -	CAGE CODE 00779
Customer Drawing	DRAWING NO C=1103428

RESTRICTED TO	SCALE 2:1	SHEET 1 OF 1	REV C 4
---------------	-----------	--------------	---------