



Chipsmall Limited consists of a professional team with an average of over 10 year of expertise in the distribution of electronic components. Based in Hongkong, we have already established firm and mutual-benefit business relationships with customers from,Europe,America and south Asia,supplying obsolete and hard-to-find components to meet their specific needs.

With the principle of “Quality Parts,Customers Priority,Honest Operation,and Considerate Service”,our business mainly focus on the distribution of electronic components. Line cards we deal with include Microchip,ALPS,ROHM,Xilinx,Pulse,ON,Everlight and Freescale. Main products comprise IC,Modules,Potentiometer,IC Socket,Relay,Connector.Our parts cover such applications as commercial,industrial, and automotives areas.

We are looking forward to setting up business relationship with you and hope to provide you with the best service and solution. Let us make a better world for our industry!



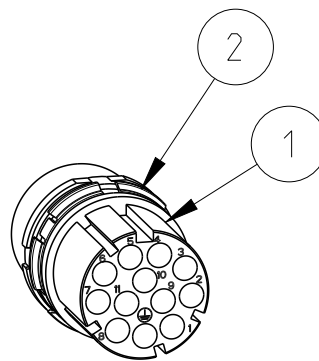
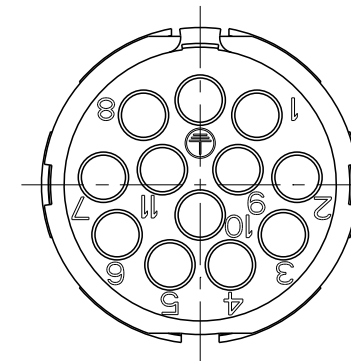
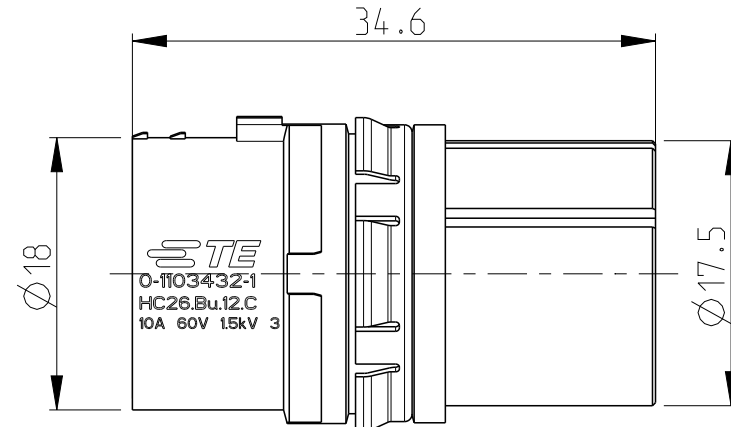
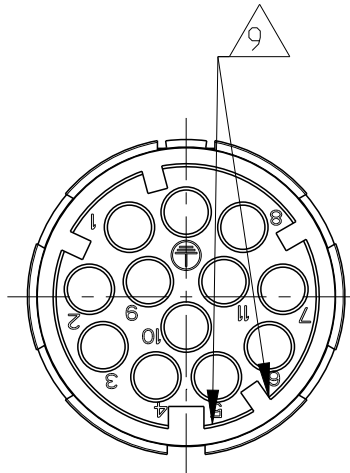
## Contact us

Tel: +86-755-8981 8866 Fax: +86-755-8427 6832

Email & Skype: info@chipsmall.com Web: www.chipsmall.com

Address: A1208, Overseas Decoration Building, #122 Zhenhua RD., Futian, Shenzhen, China





SCALE 1:1

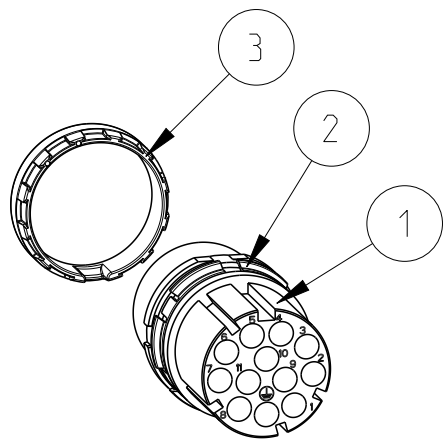
PN 0-1 AS SHOWN

Notes

- 1 SUITABLE HOUSINGS: SERIES HC26  
CUSTOMER DRAWING: 11034XX/33/34/36/37/39/40/70
- 2 OUTER DIMENSIONS OF INSULATION: MAX. Ø3.2 MM
- 3 SUITABLE CRIMP CONTACTS:  
CUSTOMER DRAWING: 166824
- 4 SUITABLE SUB-MIN. COAXICON CONTACTS:  
CUSTOMER DRAWING: 51565
- 5 SUITABLE LWL (OPTICS) CONTACTS:  
CUSTOMER DRAWING: 216342 AND 1102921
- 6 SUITABLE INSERTION TOOL:  
CUSTOMER DRAWING: 1102855
- 7 SUITABLE EXTRACTION TOOL:  
CUSTOMER DRAWING: 1102855
- 8 STANDARDS:  
DIN EN 61984, DIN EN 60664-1
- 9 POLARIZATION RIPS
- 10 PACKAGING PN 0-1 AND 0-3:  
40 SETS IN A CARTON
- 11 PACKAGING PN 0-2:  
500 SETS IN A CARTON

NOT SPECIFIED DIMENSIONS AND NOTES SEE 0-1

NICHT ANGEGEBENE BEMASSUNGEN UND BEMERKUNGEN SIEHE 0-1



SCALE 1:1



PN 0-3 AS SHOWN

QTY/PN	DESCRIPTION	MATERIAL	SURFACE/COLOR	NOTE	ITEM
1 - -	ADAPTOR RING	PA66-GF25	GREY	SERIES HC26, INSERT	3
1 1 1	RETAINING RING	PA66-GF25	GREY	SERIES HC26, INSERT	2
1 1 1	FEMALE INSERT	PBT-GF10	GREY	SERIES HC26, 12 POS. TYPE III+	1
0-3 0-2 0-1	DESCRIPTION	MATERIAL	SURFACE/COLOR	NOTE	ITEM

THIS DRAWING IS A CONTROLLED DOCUMENT. DIMENSIONING AND TOLERANCING PER GPS (ISO STANDARDS).

DIMENSIONS: MASSEINHEITEN: (MM)	TOLERANCES UNLESS OTHERWISE SPECIFIED: ALLGEMEINTOLERANZEN	DWN H.BRAUN 08NOV2007	 TE Connectivity
	0 PLC ± 1 PLC ± 2 PLC ± 3 PLC ± 4 PLC ± ANGLES/WINKEL ±	CHK T.VETTER 28OCT2008	
		APVD T.SCHNURPFIL 28OCT2008	
MATERIAL	FINISH/OBERFLAECHE/FARBE	PRODUCT SPEC 108-74097	
		APPLICATION SPEC 114-74103	SIZE A3 CAGE CODE 00779 DRAWING NO. ZEICHNUNGS-NR. C=1103432 RESTRICTED TO NUR FUER -
		WEIGHT GEWICHT -	CUSTOMER DRAWING /KUNDENZEICHNUNG SCALE MASSSTAB 2:1 SHEET BLATT 1 OF 1 REV C5