



Chipsmall Limited consists of a professional team with an average of over 10 year of expertise in the distribution of electronic components. Based in Hongkong, we have already established firm and mutual-benefit business relationships with customers from,Europe,America and south Asia,supplying obsolete and hard-to-find components to meet their specific needs.

With the principle of “Quality Parts,Customers Priority,Honest Operation,and Considerate Service”,our business mainly focus on the distribution of electronic components. Line cards we deal with include Microchip,ALPS,ROHM,Xilinx,Pulse,ON,Everlight and Freescale. Main products comprise IC,Modules,Potentiometer,IC Socket,Relay,Connector.Our parts cover such applications as commercial,industrial, and automotives areas.

We are looking forward to setting up business relationship with you and hope to provide you with the best service and solution. Let us make a better world for our industry!



Contact us

Tel: +86-755-8981 8866 Fax: +86-755-8427 6832

Email & Skype: info@chipsmall.com Web: www.chipsmall.com

Address: A1208, Overseas Decoration Building, #122 Zhenhua RD., Futian, Shenzhen, China



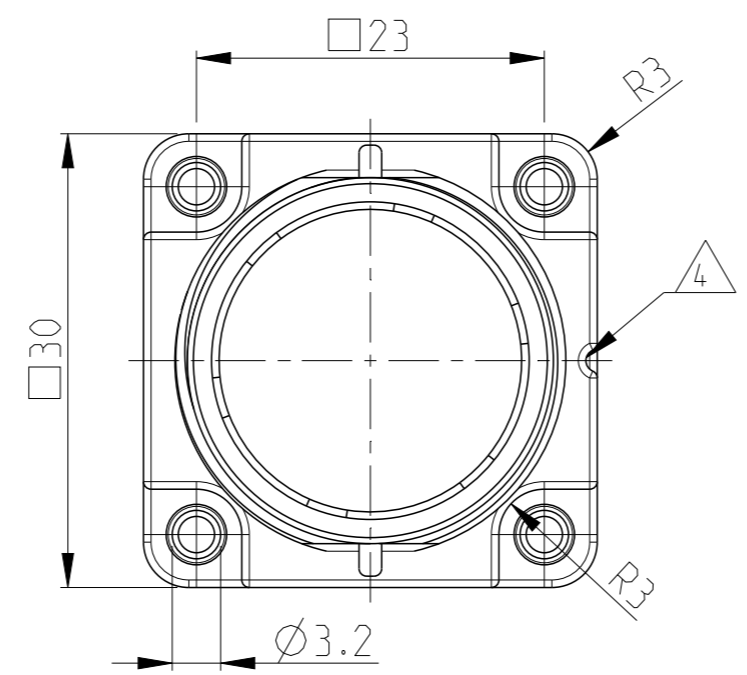
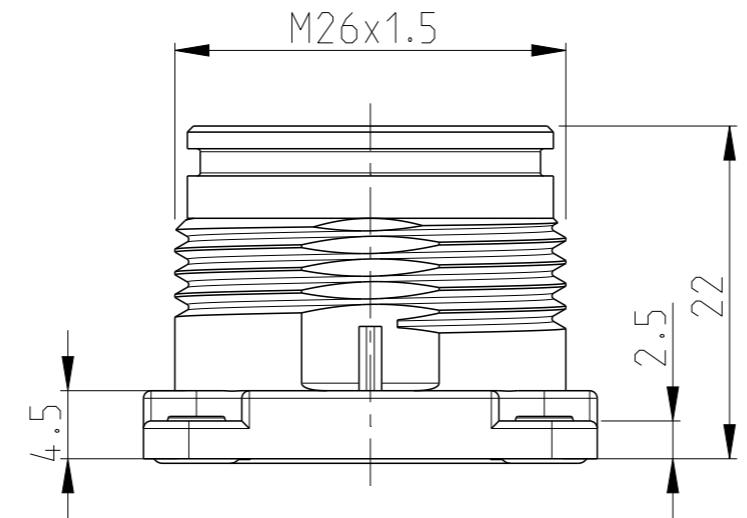
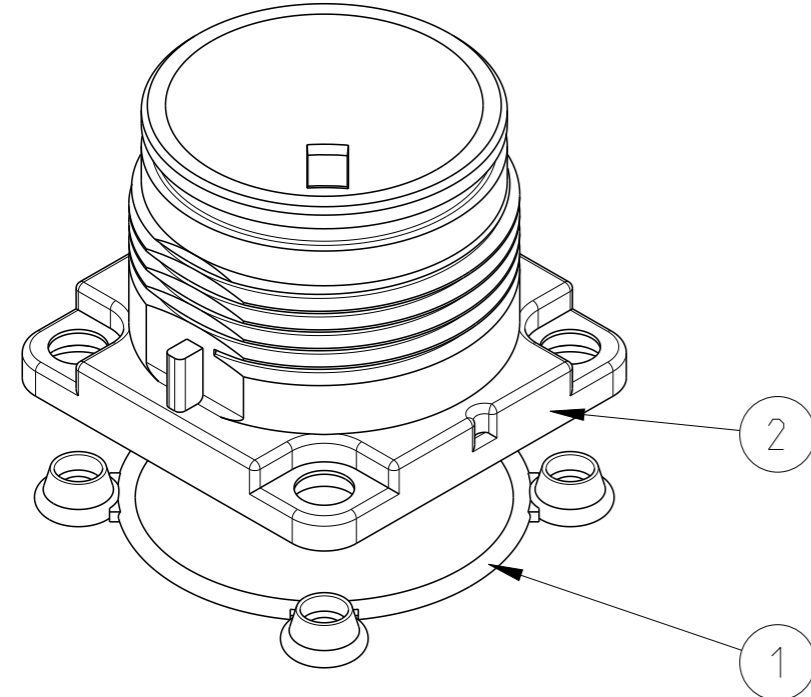
THIS DRAWING IS UNPUBLISHED
 VERTRAULICHE UNVERÖFFENTLICHTE ZEICHNUNG
 © COPYRIGHT 2009 Tyco Electronics AMP GmbH
 ALL RIGHTS RESERVED.
 ALLE RECHTE VORBEHALTEN.

RELEASED FOR PUBLICATION
 FREI FUER VERÖFFENTLICHUNG
 26.Jan. 2009

MATED WITH:
 PASSEND ZU:

LOC AI
 DIST -

REVISIONS ÄNDERUNGEN		DATE	DWN	APVD	
P	LTR	DESCRIPTION BESCHREIBUNG			
D2		O-RING DELETED	14AUG2014	EC	DO
D3		TITLE BLOCK: NAME CHANGED	12OCT2015	ER	DO
D4		REV. PER ECR-16-000458	12JAN2016	ER	DO



Notes


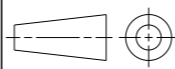
- 1 SUITABLE HOUSINGS: SERIES HC26
CUSTOMER DRAWING: 1103436, 1103434
- 2 SUITABLE INSERTS: SERIES HC26
CUSTOMER DRAWING: 1103428, 1103429,
1103431, 1103432
- 3 STANDARDS:
DIN EN 61984, DIN EN 60664-1
- 4 CODING GROOVE
- 5 PACKAGING:
40 SETS IN A CARTON, PRE-MOUNTED
- 6 SALEABLE PART
- 7 KIT COMPONENT: FOR INTERNAL USE ONLY

PN 0-1 AS SHOWN

7	6	PN/QTY	DESCRIPTION	MATERIAL	SURFACE/COLOR	NOTE	ITEM
1	1	1	BULKHEAD HOUSING	ZINC ALLOY	NICKEL PLATED	SERIES HC26, DESIGN METAL	2
1	1	1	SEALING	FKM	GREY	SERIES HC26, BULKHEAD HSG	1
-2	-1		DESCRIPTION	MATERIAL	SURFACE/COLOR	NOTE	ITEM

DIESE ZEICHNUNG IST EIN KONTROLLIERTES DOKUMENT.
 BEMASSUNGEN UND TOLERANZEN GEMAESS GPS (ISO STANDARDS).

THIS DRAWING IS A CONTROLLED DOCUMENT.
 DIMENSIONING AND TOLERANCING PER GPS (ISO STANDARDS).

DIMENSIONS: MASSEINHEITEN: MM	TOLERANCES UNLESS OTHERWISE SPECIFIED: ALLGEMEINTOLERANZEN	DWN T.VETTER 23JAN2009	 TE Connectivity NAME BULKHEAD HOUSING ASS'Y SERIES HC26, DESIGN METAL CIRCULAR HYBRID CONNECTOR
	0 PLC ± 1 PLC ± 2 PLC ± 3 PLC ± 4 PLC ± ANGLES/WINKEL ±1°	CHK H.BRAUN 26JAN2009	
		APVD T.SCHNURPFIL 26JAN2009	
MATERIAL	FINISH/OBERFLAECHE/FARBE	PRODUCT SPEC PRODUKTSPEZ. 108-94485	
		APPLICATION SPEC VERARBEITUNGSSPEZ. 114-94369	RESTRICTED TO NUR FUER
		WEIGHT GEWICHT	SIZE A3
			CAGE CODE 00779
			DRAWING NO. ZEICHNUNGS-NR. G=1103436
			SCALE MASSSTAB 2:1
			SHEET BLATT 1 OF VON 1
			REV D4

CUSTOMER DRAWING /KUNDENZEICHNUNG