



Chipsmall Limited consists of a professional team with an average of over 10 year of expertise in the distribution of electronic components. Based in Hongkong, we have already established firm and mutual-benefit business relationships with customers from,Europe,America and south Asia,supplying obsolete and hard-to-find components to meet their specific needs.

With the principle of "Quality Parts,Customers Priority,Honest Operation,and Considerate Service",our business mainly focus on the distribution of electronic components. Line cards we deal with include Microchip,ALPS,ROHM,Xilinx,Pulse,ON,Everlight and Freescale. Main products comprise IC,Modules,Potentiometer,IC Socket,Relay,Connector.Our parts cover such applications as commercial,industrial, and automotives areas.

We are looking forward to setting up business relationship with you and hope to provide you with the best service and solution. Let us make a better world for our industry!



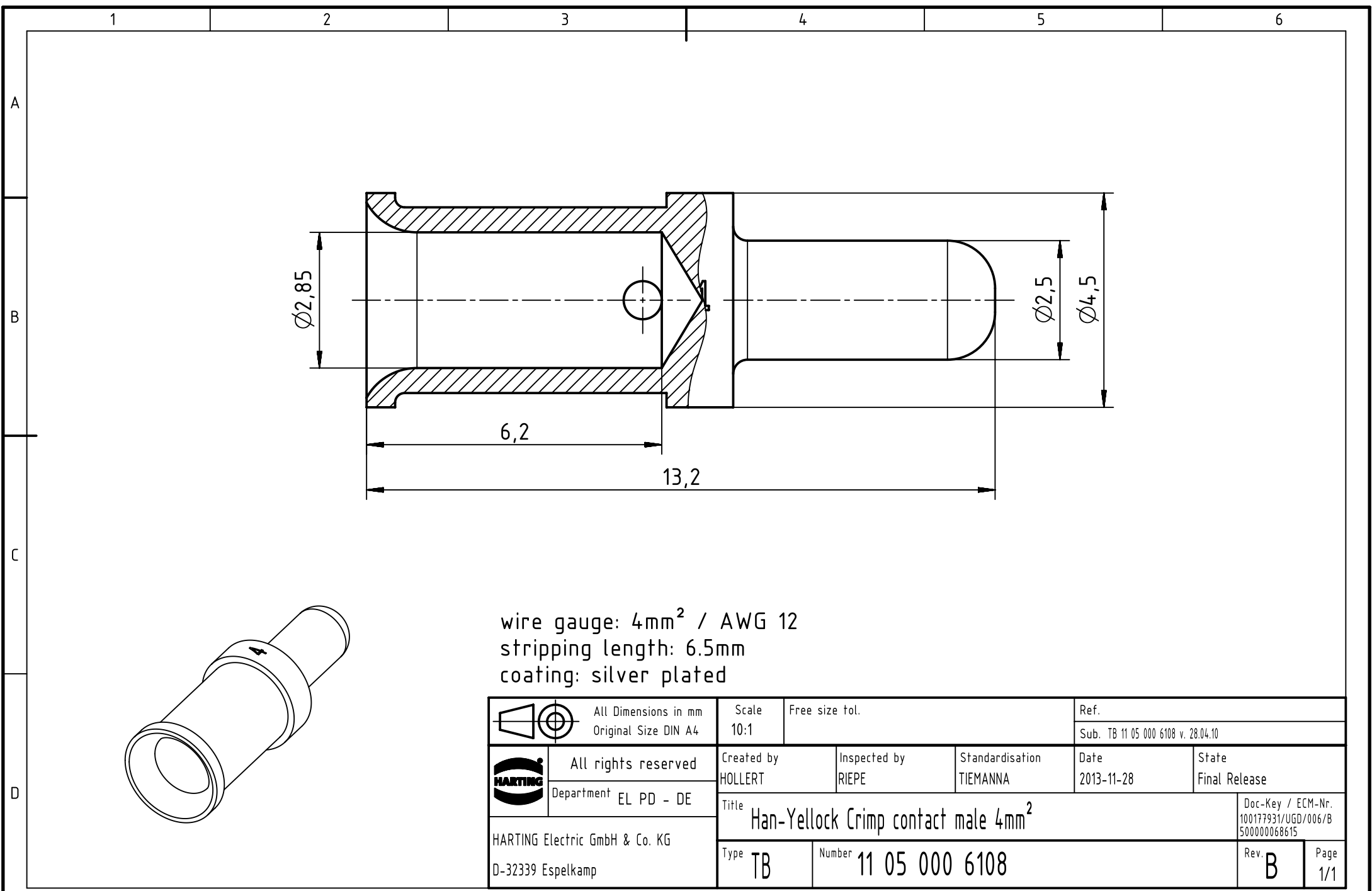
Contact us

Tel: +86-755-8981 8866 Fax: +86-755-8427 6832

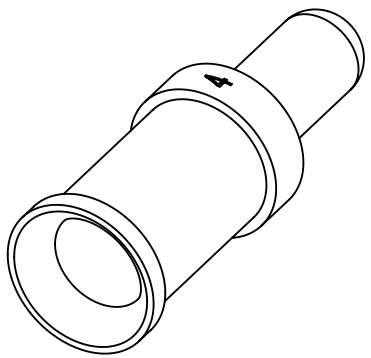
Email & Skype: info@chipsmall.com Web: www.chipsmall.com


Address: A1208, Overseas Decoration Building, #122 Zhenhua RD., Futian, Shenzhen, China





wire gauge: 4mm² / AWG 12
 stripping length: 6.5mm
 coating: silver plated



	All rights reserved Department EL PD - DE	Created by HOLLERT	Inspected by RIEPE	Standardisation TIEMANNA	Date 2013-11-28	State Final Release	
	HARTING Electric GmbH & Co. KG D-32339 Espelkamp	Title Han-Yellock Crimp contact male 4mm ²				Doc-Key / ECM-Nr. 100177931/UGD/006/B 500000068615	
		Type TB	Number 11 05 000 6108			Rev. B	Page 1/1