



Chipsmall Limited consists of a professional team with an average of over 10 year of expertise in the distribution of electronic components. Based in Hongkong, we have already established firm and mutual-benefit business relationships with customers from,Europe,America and south Asia,supplying obsolete and hard-to-find components to meet their specific needs.

With the principle of "Quality Parts,Customers Priority,Honest Operation,and Considerate Service",our business mainly focus on the distribution of electronic components. Line cards we deal with include Microchip,ALPS,ROHM,Xilinx,Pulse,ON,Everlight and Freescale. Main products comprise IC,Modules,Potentiometer,IC Socket,Relay,Connector.Our parts cover such applications as commercial,industrial, and automotives areas.

We are looking forward to setting up business relationship with you and hope to provide you with the best service and solution. Let us make a better world for our industry!



Contact us

Tel: +86-755-8981 8866 Fax: +86-755-8427 6832

Email & Skype: info@chipsmall.com Web: www.chipsmall.com

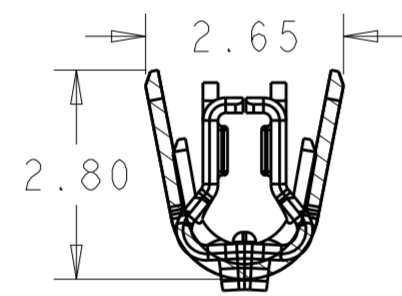
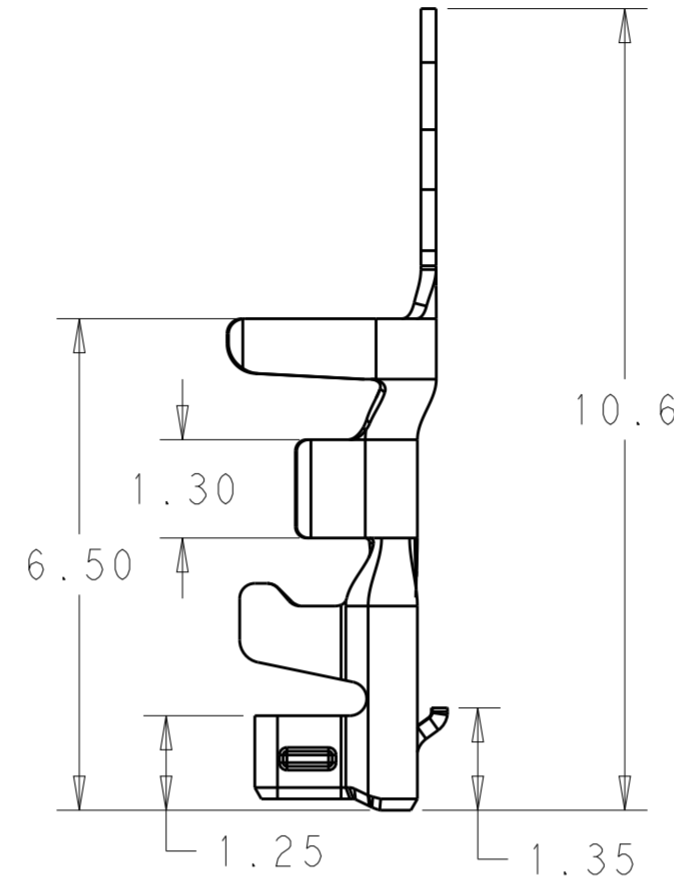
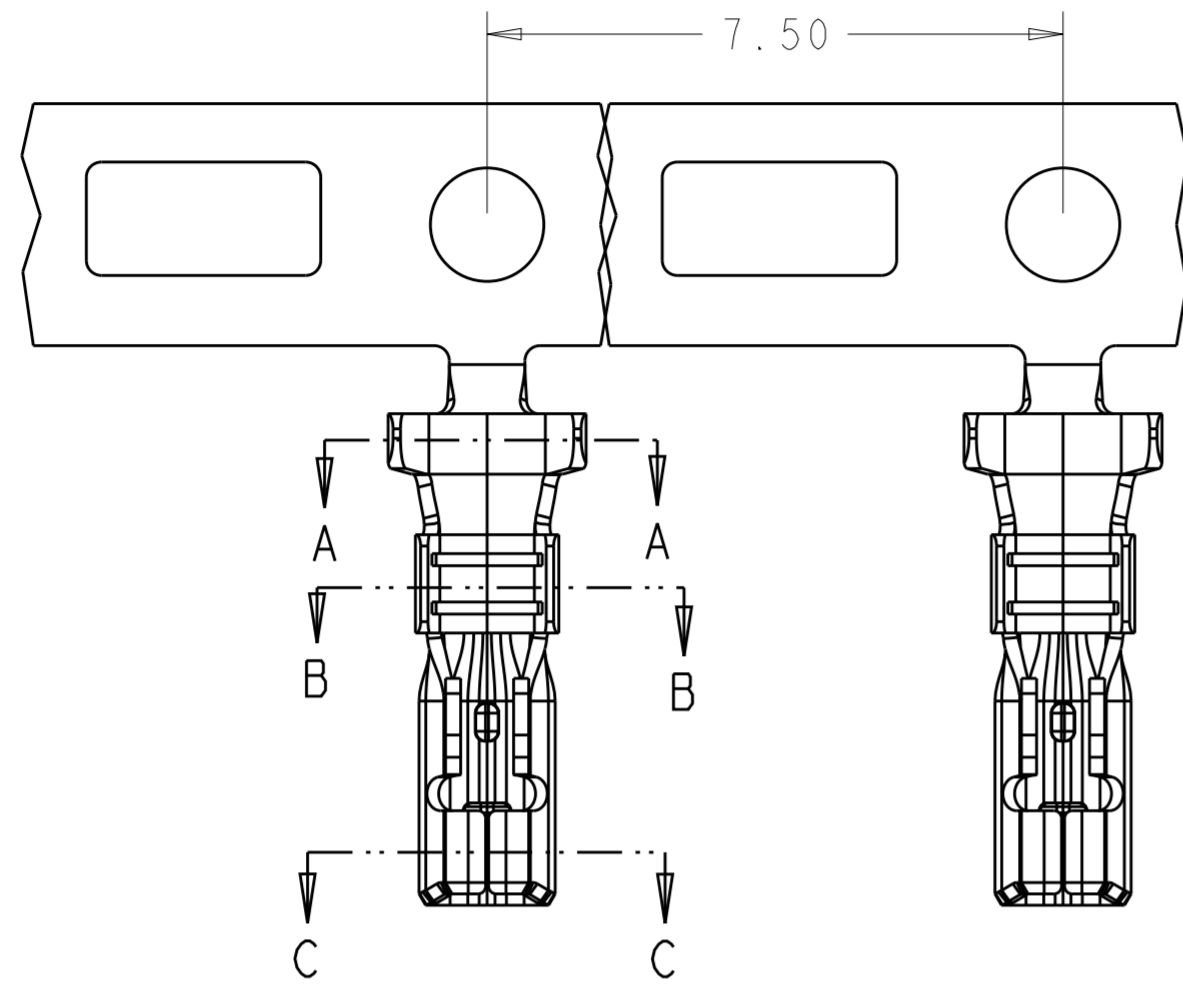
Address: A1208, Overseas Decoration Building, #122 Zhenhua RD., Futian, Shenzhen, China



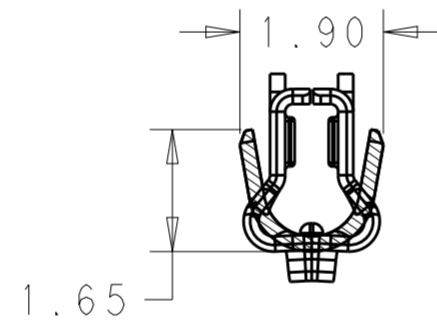
THIS DRAWING IS UNPUBLISHED. RELEASED FOR PUBLICATION
 © COPYRIGHT copyright.d8te- ALL RIGHTS RESERVED.

REVISIONS				
P	LTR	DESCRIPTION	DATE	APVD
A		RELEASED PER ECR-15-009171	25JUN15	O.C D.Z

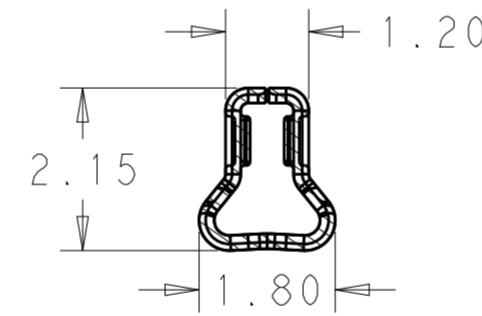
- 1 MATERIAL: PHOSPHOR BRONZE.
- 2 FINISH: PRE-TIN.
- 3 DESIGNED FOR USE IN HOUSINGS 1969442-() OR 1744417-().
- 4 CONTACTS COATED WITH ANTI-FRETTING LUBRICANT.
- 5 CONTACT IS RoHS COMPLIANT.
- 6 WIRE RANGE: 0.13~0.36mm² [26-22 AWG] STRANDED.
- 7. INSULATION RANGE: 1.30~1.91



SECTION A-A



SECTION B-B



SECTION C-C

2232905-1
 PART NUMBER

THIS DRAWING IS A CONTROLLED DOCUMENT.		DWN QITO CHEN 25JUN15	TE Connectivity	
DIMENSIONS:		CHK DANIEL 7 26JUN15		
mm		APVD DANIEL 7 26JUN15		
		NAME LOW INSERTION FORCE CONTACT, ECONOMY POWER 2.5, RECEPTACLE		
TOLERANCES UNLESS OTHERWISE SPECIFIED:		PRODUCT SPEC 108-2418	SIZE A200779	CAGE CODE C-2232905
0 PLC ±		APPLICATION SPEC 114-13315	DRAWING NO	RESTRICTED TO
1 PLC ±0.40		WEIGHT -	SCALE N/A	SHEET 1 OF 1
2 PLC ±0.30		MATERIAL -	Customer Drawing	REV A
3 PLC ±				
4 PLC ±				
ANGLES ±				
FINISH				