



Chipsmall Limited consists of a professional team with an average of over 10 year of expertise in the distribution of electronic components. Based in Hongkong, we have already established firm and mutual-benefit business relationships with customers from,Europe,America and south Asia,supplying obsolete and hard-to-find components to meet their specific needs.

With the principle of “Quality Parts,Customers Priority,Honest Operation,and Considerate Service”,our business mainly focus on the distribution of electronic components. Line cards we deal with include Microchip,ALPS,ROHM,Xilinx,Pulse,ON,Everlight and Freescale. Main products comprise IC,Modules,Potentiometer,IC Socket,Relay,Connector.Our parts cover such applications as commercial,industrial, and automotives areas.

We are looking forward to setting up business relationship with you and hope to provide you with the best service and solution. Let us make a better world for our industry!



Contact us

Tel: +86-755-8981 8866 Fax: +86-755-8427 6832

Email & Skype: info@chipsmall.com Web: www.chipsmall.com

Address: A1208, Overseas Decoration Building, #122 Zhenhua RD., Futian, Shenzhen, China



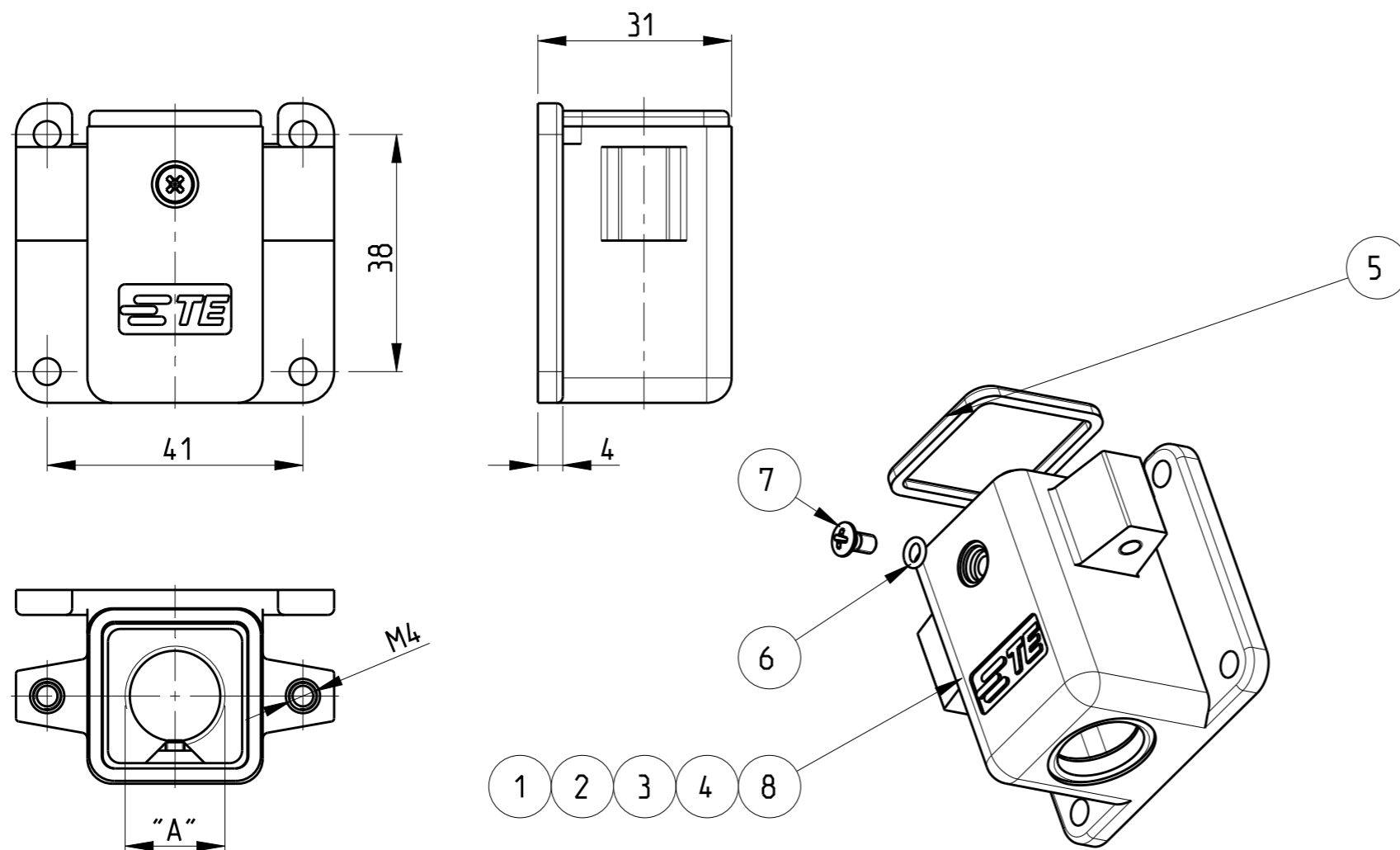
THIS DRAWING IS UNPUBLISHED. RELEASED FOR PUBLICATION 2009
 © COPYRIGHT 2009 BY - ALL RIGHTS RESERVED.

REVISIONS

P	LTR	DESCRIPTION	DATE	DWN	APVD
A5		ECR-09-023155	22OCT2009	VG	AR
A6		ECR-10-009777	17MAY2010	SR	AR
B		ECR-16-001983	20MAY2016	GCM	JB

Notes

- 1 SUITABLE HOUSINGS: SERIES EMV, SIZE 1
CUSTOMER DRAWING 1102700, 1106402, 1106200
- 2 STANDARDS:
DIN EN 61984, DIN EN 60664-1
- 3 SUR TEC 650 CHROMIT AL TCP PASSIVATION
- 4 TOOL:
PHILLIPS SCREWDRIVER PH1.
- 5 VARNISH ON INSIDE AREA NOT NECESSARY
- 6 PACKAGING:
10 SETS IN A CARTON.



PN 0-1 AS SHOWN

PN/QTY	DESCRIPTION	"A"	MATERIAL	COLOR/SURFACE	NOTE	ITEM
1	ANGLED BULKHEAD HOUSING		ALU	BLACK	SERIES EMV-K WITHOUT LOGO	8
1 1 1 1 1	SREW COUNTERSUNK RAISED HEAD	-	STAINL. STEEL V2A	-	M3x6 PH1 DIN EN ISO 7047	7
1 1 1 1 1	O - RING	-	NBR	BLACK	3.0x1.0	6
1 1 1 1 1	PROGFILE SEAL	-	FKM	BLACK	SERIES EMV / HIP	5
- 1 - -	ANGLED BULKHEAD HOUSING	M20	ALU	BLACK SEE NOTE 3	SERIES EMV-K	4
1 - - -	ANGLED BULKHEAD HOUSING	M20	ALU	GREY	SERIES EMV-K	3
- - 1 -	ANGLED BULKHEAD HOUSING	M16	ALU	BLACK SEE NOTE 3	SERIES EMV-K	2
- - - 1	ANGLED BULKHEAD HOUSING	M16	ALU	GREY	SERIES EMV	1

PARTS LIST (PER ONE UNIT)

0-5	EMV-K.3/4.SG-N
0-4	EMV.3/4.SG.1.M20.G
0-3	EMV-K.3/4.SG.1.M20.G
0-2	EMV-K.3/4.SG.1.M16.G
0-1	EMV.3/4.SG.1.M16.G
PART NO.	ORDERING TEXT

THIS DRAWING IS A CONTROLLED DOCUMENT.

DIMENSIONS:	TOLERANCES UNLESS OTHERWISE SPECIFIED:
mm	0 PLC ±
	1 PLC ±
	2 PLC ±
	3 PLC ±
	4 PLC ±
	ANGLES ±°
MATERIAL	FINISH

DWN	V.GLUMM	26AUG2009
CHK	H.Braun	26AUG2009
APVD	T.Schnurpfel	26AUG2009
PRODUCT SPEC	-	-
APPLICATION SPEC	-	-
WEIGHT	-	-



NAME				ANGLED BULKHEAD HOUSING ASS'Y SIDE ENTRY, SERIES EMV, SIZE 1	
SIZE	CAGE CODE	DRAWING NO	RESTRICTED TO		
A3	00779	C-1106401	-		
CUSTOMER DRAWING		SCALE	SHEET	OF	REV
		1:1	1	1	B