



Chipsmall Limited consists of a professional team with an average of over 10 year of expertise in the distribution of electronic components. Based in Hongkong, we have already established firm and mutual-benefit business relationships with customers from,Europe,America and south Asia,supplying obsolete and hard-to-find components to meet their specific needs.

With the principle of “Quality Parts,Customers Priority,Honest Operation,and Considerate Service”,our business mainly focus on the distribution of electronic components. Line cards we deal with include Microchip,ALPS,ROHM,Xilinx,Pulse,ON,Everlight and Freescale. Main products comprise IC,Modules,Potentiometer,IC Socket,Relay,Connector.Our parts cover such applications as commercial,industrial, and automotives areas.

We are looking forward to setting up business relationship with you and hope to provide you with the best service and solution. Let us make a better world for our industry!



Contact us

Tel: +86-755-8981 8866 Fax: +86-755-8427 6832

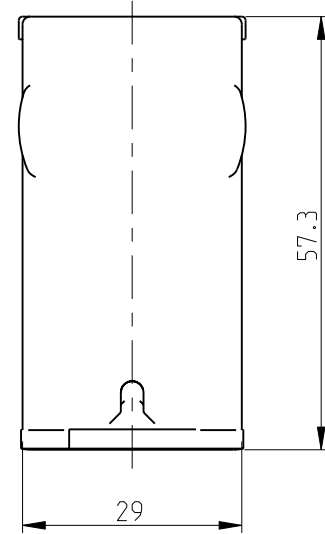
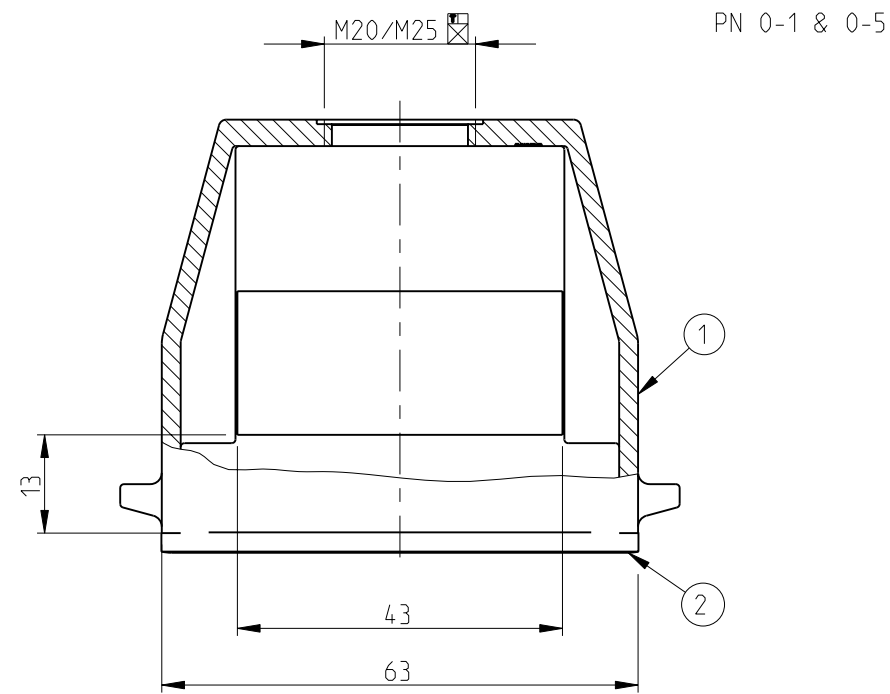
Email & Skype: info@chipsmall.com Web: www.chipsmall.com

Address: A1208, Overseas Decoration Building, #122 Zhenhua RD., Futian, Shenzhen, China

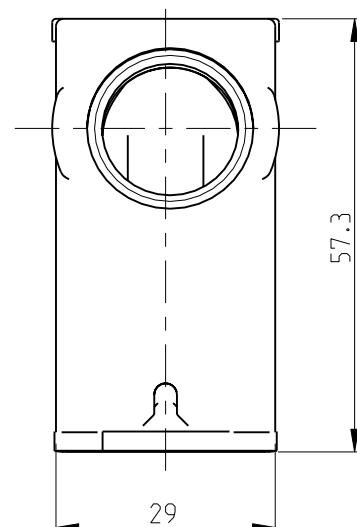
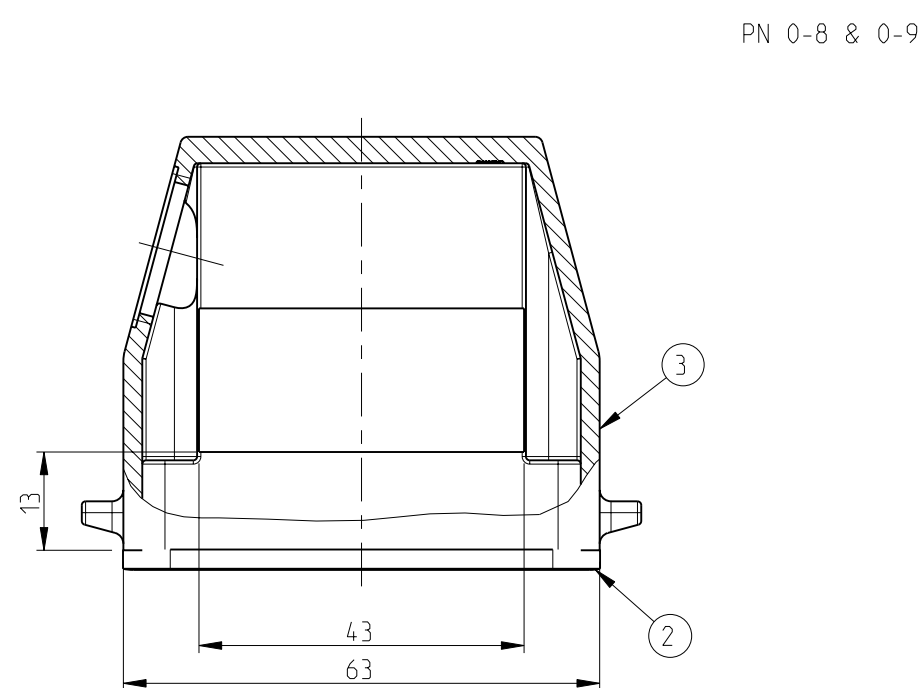
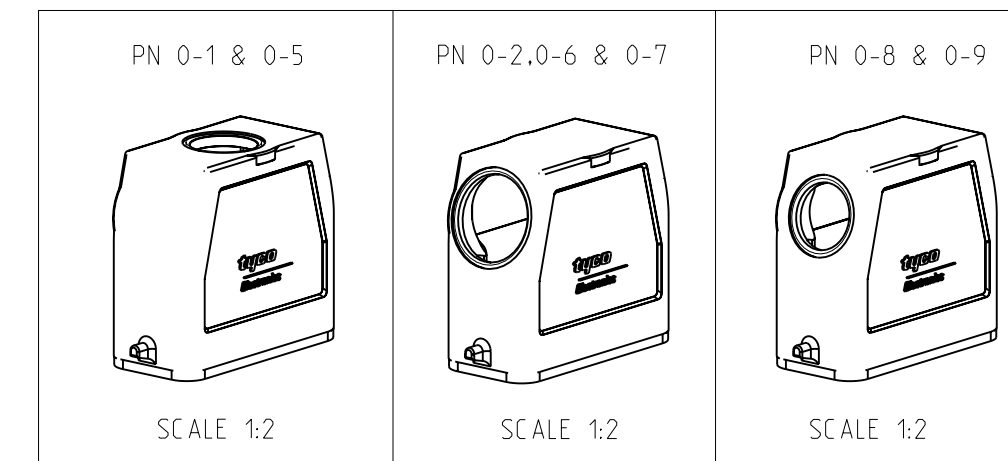
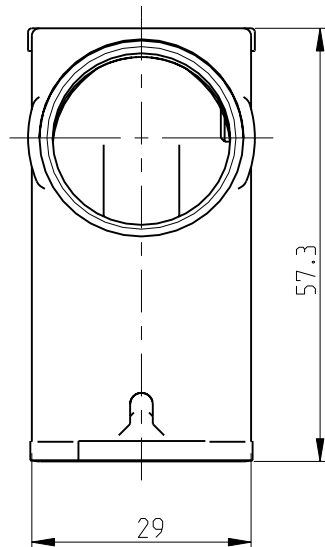
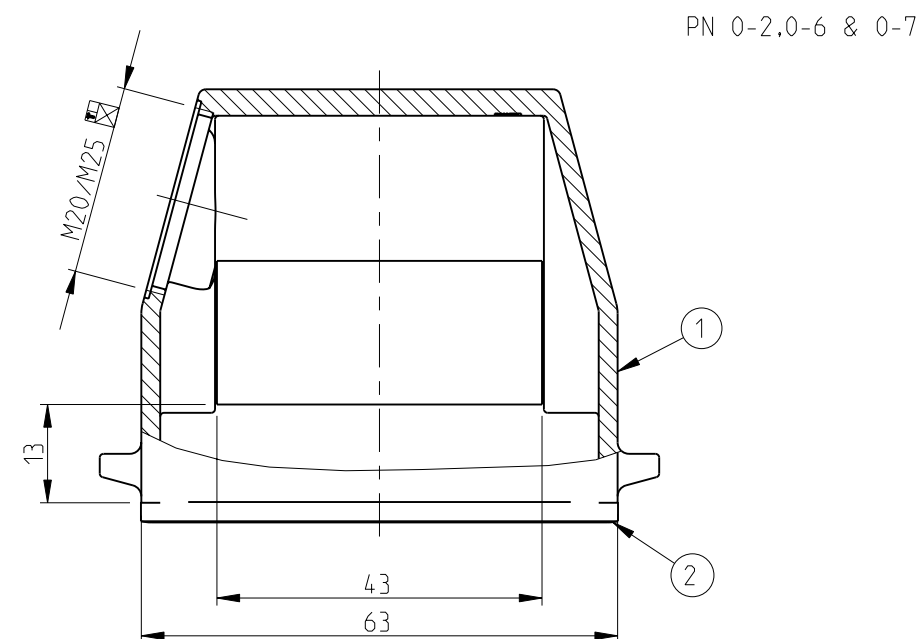


THIS DRAWING IS UNPUBLISHED. RELEASED FOR PUBLICATION .2000
 © COPYRIGHT 2000 BY TYCO ELECTRONICS CORPORATION. ALL RIGHTS RESERVED.

LOC	DIST	REVISIONS					
		P	LTR	DESCRIPTION	DATE	DWN	APVD
A1	-	D2		Released as per ECR-08-019097	30.July.2008	SP	TS



- NOTES.
- 1 Material:Housing:Aluminium Diecasting Alloy
Seals:Neoprene
 - 2 Surface:Varnish grey
 - 3 Varnish on the inside not necessary
 - 4 Packaging
Quantity 5 Pieces in a box
- ⚠ Special Packaging



QTY	ITEM NO	DESCRIPTION	MATERIAL	SURFACE	COLOR	REMARKS						
1	1	Hood	Chromital TCP passivation	Black RAL 9005	3							
1	1	Profile seal	Neoprene	Black	2							
	1	Hood	Aluminium	Grey RAL 7001	1							
0-9	0-8	0-6	0-5	0-7	0-2	0-1	DESCRIPTION	MATERIAL	SURFACE	COLOR	ITEM NO	REMARKS
ORDERING TEXT												
HA.10.STO.1.M20.G												
HA.10.STS.1.M20.G												
HA.10.STS.1.M20.G-KM												
HA.10.STO.1.M25.G												
HA.10.STS.1.M25.G												
HA-EMV.10.STS.1.M20.G												
HA-EMV.10.STS.1.M25.G												

THIS DRAWING IS A CONTROLLED DOCUMENT FOR TYCO ELECTRONICS CORPORATION IT IS SUBJECT TO CHANGE AND THE CONTROLLING ENGINEERING ORGANIZATION SHOULD BE CONTACTED FOR THE LATEST REVISION.		DWN R.SRINIVAS 03.03.2006 CHK R.SRINIVAS 03.03.2006 APVD T.SCHNURPFEL 03.03.2006	Tyco Electronics,AMP.GmbH D-53819,Neunkirchen,Germany
DIMENSIONS: mm 		TOLERANCES UNLESS OTHERWISE SPECIFIED: ISO 2768-mS DIN 16764-10 0 PLC ± 1 PLC ± 2 PLC ± 3 PLC ± 4 PLC ± ANGLES ±	NAME Hood HA.10.STO/STS.1.M20.G SIZE A2 CAGE CODE 00779 DRAWING NO 1106411 RESTRICTED TO - WEIGHT - CUSTOMER DRAWING SCALE 1:1 SHEET 1 OF 1 REV 02