



Chipsmall Limited consists of a professional team with an average of over 10 year of expertise in the distribution of electronic components. Based in Hongkong, we have already established firm and mutual-benefit business relationships with customers from,Europe,America and south Asia,supplying obsolete and hard-to-find components to meet their specific needs.

With the principle of “Quality Parts,Customers Priority,Honest Operation,and Considerate Service”,our business mainly focus on the distribution of electronic components. Line cards we deal with include Microchip,ALPS,ROHM,Xilinx,Pulse,ON,Everlight and Freescale. Main products comprise IC,Modules,Potentiometer,IC Socket,Relay,Connector.Our parts cover such applications as commercial,industrial, and automotives areas.

We are looking forward to setting up business relationship with you and hope to provide you with the best service and solution. Let us make a better world for our industry!



Contact us

Tel: +86-755-8981 8866 Fax: +86-755-8427 6832

Email & Skype: info@chipsmall.com Web: www.chipsmall.com

Address: A1208, Overseas Decoration Building, #122 Zhenhua RD., Futian, Shenzhen, China



4

2

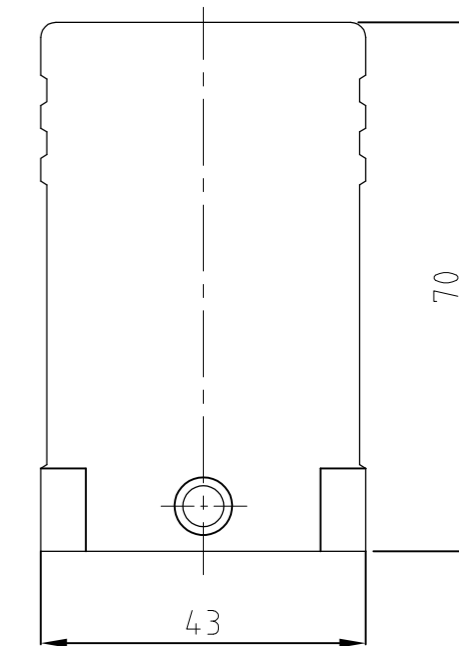
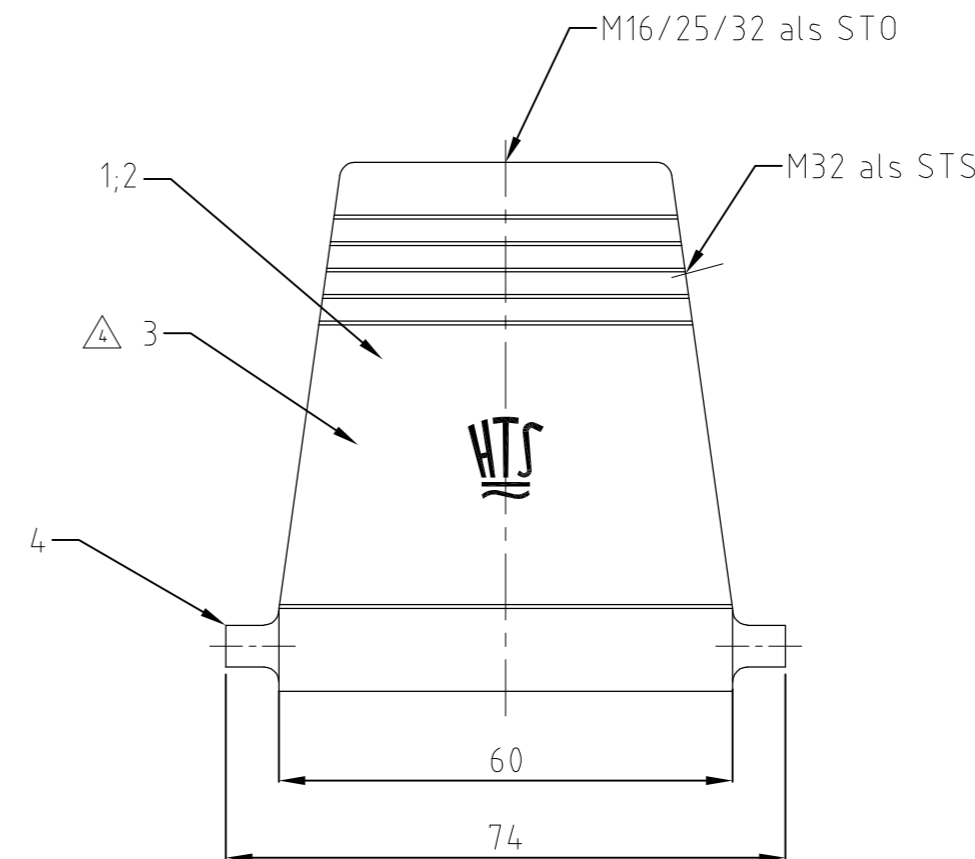
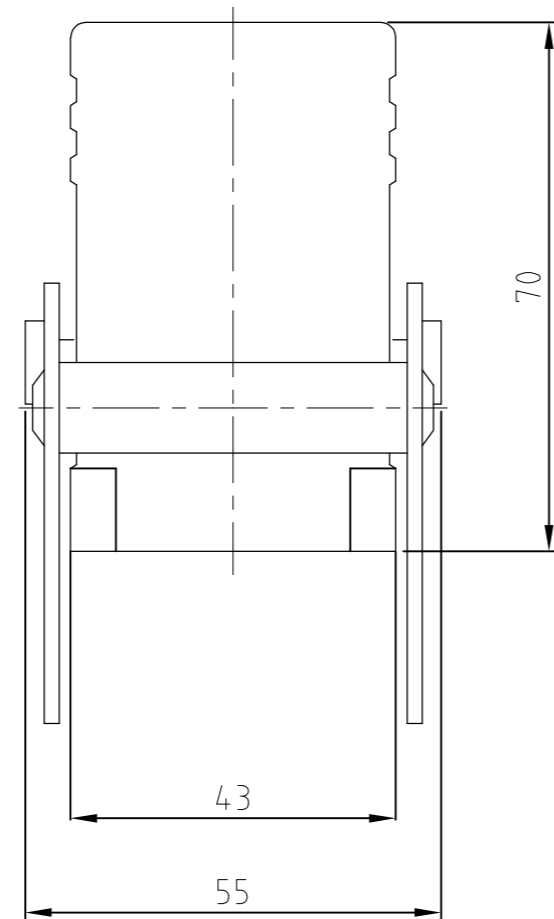
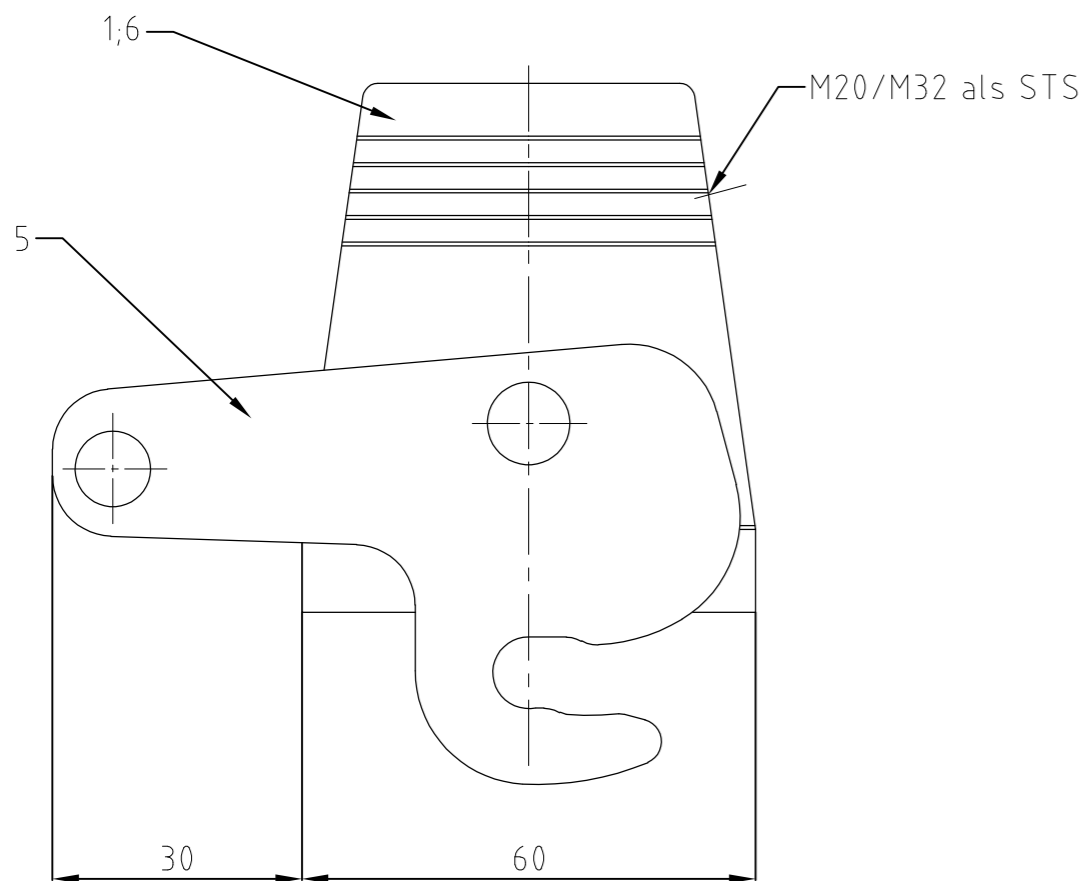
1

THIS DRAWING IS UNPUBLISHED.
VERTRÄULICHE UNVERÖFFENTLICHTE ZEICHNUNG

RELEASED FOR PUBLICATION
FREI FUER VERÖFFENTLICHUNG
1997

MATED WITH:
PASSEND ZU:
Bg3

LOC	DIST	REVISIONS					
AI	-	P	LTR	DESCRIPTION	DATE	DWN	APVD
PROJEKT NR:		A5	ECR-10-009777		18.05.10	SR	AR



- Notes
- 1 Material: Housing: aluminium diecasting alloy
 - 2 Surface: - Powder varnish grey
- aluminium oxid +
Varnish black
 - 3 Varnish on the inside not necessarily

- Bemerkungen
- 1 Material: Gehäuse: Alu-Druckguß-Legierung
 - 2 Oberfläche: - Pulverbeschichtung grau
- Aluminium-oxid-Schicht +
Lackierung schwarz
 - 3 Lackierung im Gehäuseinnere ist nicht notwendig

1									Steckergehäuse HD/hood	aluminium/ALU		grey/grau	6	ohne Logo& Bohrung	
1				1	1				ZB-Zentralbügel/central clip	stahl/steel	verzinkt/zink plated	blau/blue	5		
		2							LB-Bügelbolzen/clip bolt	V2A/stainless steel	blank/even		4		
		1	1	1					Steckergehäuse HD/hood	aluminium/ALU		grey/grau	3	ohne HTS-Logo	
		1				1	1		Steckergehäuse HD-K/hood	aluminium/ALU	aluminium oxid	black/schwarz	2		
	1							1	Steckergehäuse HD/hood	aluminium/ALU		grey/grau	1		
1-2	1-1	1-0	0-9	0-8	0-7	0-6	0-5	0-4	0-3	0-2	0-1				
DESCRIPTION / BESCHREIBUNG										MATERIAL	SURFACE / OBERFLÄCHE	COLOR / FARBE	ITEM NO. POS.	REMARKS / BEMERKUNGEN	
HD-Z.16.ST-ZB										<p>THIS DRAWING IS A CONTROLLED DOCUMENT FOR AMP INCORPORATED. IT IS SUBJECT TO CHANGE AND THE CONTROLLING ENGINEERING ORGANIZATION SHOULD BE CONTACTED FOR THE LATEST REVISION. DIESSES ZEICHNUNGSDOKUMENT WIRD DURCH AMP INCORPORATED KONTROLLIERT. ÄNDERUNGEN, DIE DEM TECHNISCHEN FORTSCHRITT DIENEN, SIND VORBEHALTEN. DEN JEWEL'S LETZTIGSTEN ÄNDERUNGSSTAND ERFAHREN SIE AUF ANFRAGE.</p> <p>DIMENSIONS: mm</p> <p>TOLERANCES UNLESS OTHERWISE SPECIFIED: ALLGEMEINTOLERANZEN: 0 PLC #, 1 PLC #, 2 PLC #, 3 PLC #</p> <p>ANGLES / WINKEL #</p> <p>FINISH / OBERFLÄCHE / FARBE</p>					
HD.16.STO.1M25.G										<p>DWN Schneider 03.07.2003</p> <p>CHK Schweiger 03.07.2003</p> <p>APVD -</p> <p>NAME HTS Elektrotechnik</p> <p>ADDRESS 53819 Neunkirchen, Germany</p> <p>PRODUCT SPEC 108-74001/74003</p> <p>APPLICATION SPEC 114-74001/74004/74005</p> <p>WEIGHT -</p> <p>CUSTOMER DRAWING / KUNDENZEICHNUNG</p>					
HD.16.ST										<p>SIZE A2</p> <p>CAGE CODE 00779</p> <p>DRAWING NO. ZEICHNUNGS-NR. C=1106423</p> <p>RESTRICTED TO NUR FUER -</p> <p>MASSSTAB 1:1</p> <p>BLATT 1 OF VON 1</p> <p>REV A5</p>					
HD-K.16.STO.1M16.G															
HD.16.STS.1M32.G															
HD.16.STO.1M32.G															
HD-Z.16.STS-ZB.1M20.G															
HD-Z.16.STS-ZB.1M32.G															
HD-K.16.STS.1M32.G															
HD.16.STS.1M32.G															
HD.16.STO.1M32.G															
ORDERING TEXT / BESTELLTEXT															