



Chipsmall Limited consists of a professional team with an average of over 10 year of expertise in the distribution of electronic components. Based in Hongkong, we have already established firm and mutual-benefit business relationships with customers from,Europe,America and south Asia,supplying obsolete and hard-to-find components to meet their specific needs.

With the principle of “Quality Parts,Customers Priority,Honest Operation,and Considerate Service”,our business mainly focus on the distribution of electronic components. Line cards we deal with include Microchip,ALPS,ROHM,Xilinx,Pulse,ON,Everlight and Freescale. Main products comprise IC,Modules,Potentiometer,IC Socket,Relay,Connector.Our parts cover such applications as commercial,industrial, and automotives areas.

We are looking forward to setting up business relationship with you and hope to provide you with the best service and solution. Let us make a better world for our industry!



## Contact us

Tel: +86-755-8981 8866 Fax: +86-755-8427 6832

Email & Skype: info@chipsmall.com Web: www.chipsmall.com

Address: A1208, Overseas Decoration Building, #122 Zhenhua RD., Futian, Shenzhen, China



4

3

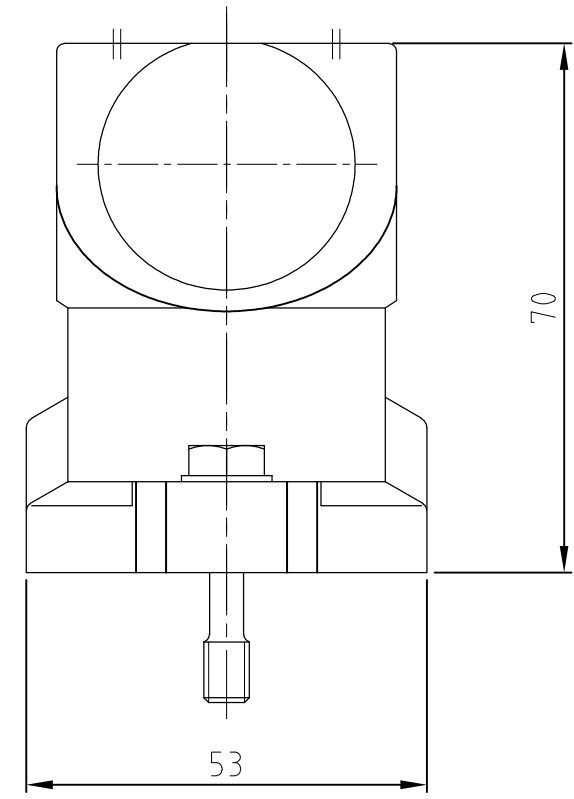
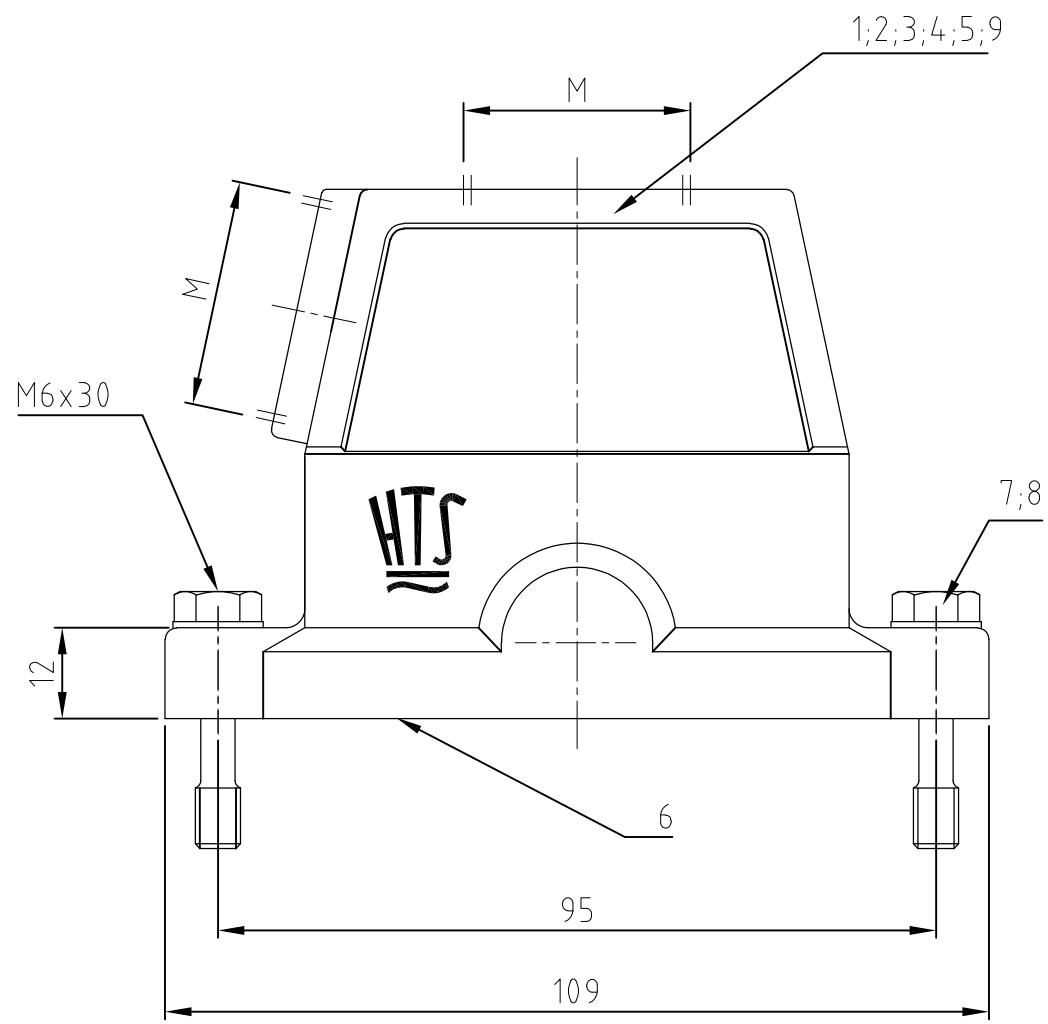
2

1

THIS DRAWING IS UNPUBLISHED.  
 VERTRÄULICHE UNVERÖFFENTLICHTE ZEICHNUNG  
 © COPYRIGHT 1997 BY AMP INCORPORATED. ALL RIGHTS RESERVED.  
 FREI FUER VERÖFFENTLICHUNG  
 ,1997  
 ALLE RECHTE VORBEHALTEN

MATED WITH:  
 PASSEND ZU:  
 Bg 4

LOC		DIST		REVISIONS			DATE	DWN	APVD
P	LTR	DESCRIPTION							
PROJEKT NR.:		BESCHREIBUNG							
-	-	B4	PN 0-8 added; ECR-09-002728			20.05.2010	SR	AR	



Bemerkungen:

- 1 Material: Gehäuse: Alu-Druckguß-Legierung  
Dichtungen: Neoprene
- 2 Oberfläche: Lackierung - grau  
- aluminiumoxid  
Lackierung schwarz
- 3 Lackierung im Gehäuseinnere ist nicht notwendig
- 4 Verpackungsmenge 5 Stück

Notes:

- 1 Material: Housing: aluminium diecasting alloy  
Seals: Neoprene
- 2 Surface: Varnish- grey  
- aluminiumoxid+  
Varnish black
- 3 Varnish on the inside not necessarily
- 4 Packaging quantity 5 pieces

ITEM NO. Pos.	QTY	DESCRIPTION / BENENNUNG	MATERIAL	SURFACE / OBERFLÄCHE	COLOR / FARBE	ITEM NO. Pos.	NOTES / BEMERKUNGEN
1		Steckergehäuse HIP-K.10/24	aluminium/ALU	aluminium oxyd	black/schwarz	9	ohne Logo / Bohrung
2	2	Scheibe	V2A	black	-	8	-
2	2	Befestigungsschraube	V2A	black	-	7	-
1	1	Dichtung Bg 4	Neoprene	-	black/schwarz	6	-
	1	Steckergehäuse HIP-K.10/24	aluminium/ALU	aluminium oxyd	black/schwarz	5	2x STO M-Gewinde
	1	Steckergehäuse HIP-K.10/24	aluminium/ALU	aluminium oxyd	black/schwarz	4	STS M-Gewinde
	1	Steckergehäuse HIP.10/24	aluminium/ALU	-	grey/grau	3	STS M-Gewinde
	1	Steckergehäuse HIP-K.10/24	aluminium/ALU	aluminium oxyd	black/schwarz	2	STO M-Gewinde
	1	Steckergehäuse HIP.10/24	aluminium/ALU	-	grey/grau	1	STO M-Gewinde

ORDERING TEXT / BESTELLTEXT
HIP-K.10/24.ST-N
HIP-K.10/24.Sto.2.M25.G
HIP-K.10/24.Sts.1.M25.G+Sto.1.M25.G
HIP-K.10/24.Sts.1.M32.G
HIP-K.10/24.Sto.1.M32.G
HIP-K.10/24.Sts.1.M25.G
HIP.10/24.Sts.1.M25.G
HIP-K.10/24.Sto.1.M25.G
HIP.10/24.Sto.1.M25.G

THIS DRAWING IS A CONTROLLED DOCUMENT FOR AMP INCORPORATED.  
 IT IS SUBJECT TO CHANGE AND THE CONTROLLING ENGINEERING ORGANIZATION SHOULD BE CONTACTED FOR THE LATEST REVISION.  
 DIESES ZEICHNUNGSDOKUMENT WIRD DURCH AMP INCORPORATED KONTROLLIERT.  
 ÄNDERUNGEN, DIE DEM TECHNISCHEN FORTSCHRITT DIENEN, SIND VORBEHALTEN.  
 DEN JEWEILS LETZTIGELTIGEN ÄNDERUNGSSTAND ERFAHREN SIE AUF ANFRAGE.

DIMENSIONS: DIMENSIONEN: mm

TOLERANCES UNLESS OTHERWISE SPECIFIED: ALLGEMEINTOLERANZEN

ISO 8015  
 ISO 2768 - mH - E  
 DIN 16901 - 14.0

0 PLC # -  
 1 PLC # -  
 2 PLC # -  
 3 PLC # -

ANGLES / WINKEL # -  
 FINISH / OBERFLÄCHE / FARBE

MATERIAL

DWN Schneider 13.02.2001  
 CHK Schweiger 13.02.2001

APVD -  
 PRODUCT SPEC PRODUKTSPEZ.  
 APPLICATION SPEC VERARBEITUNGSSPEZ.

WEIGHT GEWICHT -

CUSTOMER DRAWING / KUNDENZEICHNUNG

NAME: Hood  
 Steckergehäuse HIP.10/24.M-Gewinde

SIZE: A3  
 CAGE CODE: 00779  
 DRAWING NO. ZEICHNUNGS-NR.: C-1106436

RESTRICTED TO NUR FUER -

MASSSTAB 1:1  
 BLATT 1 OF VON 1  
 REV B4